

## Before You Start

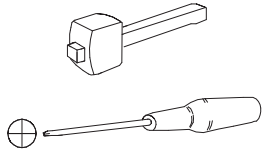
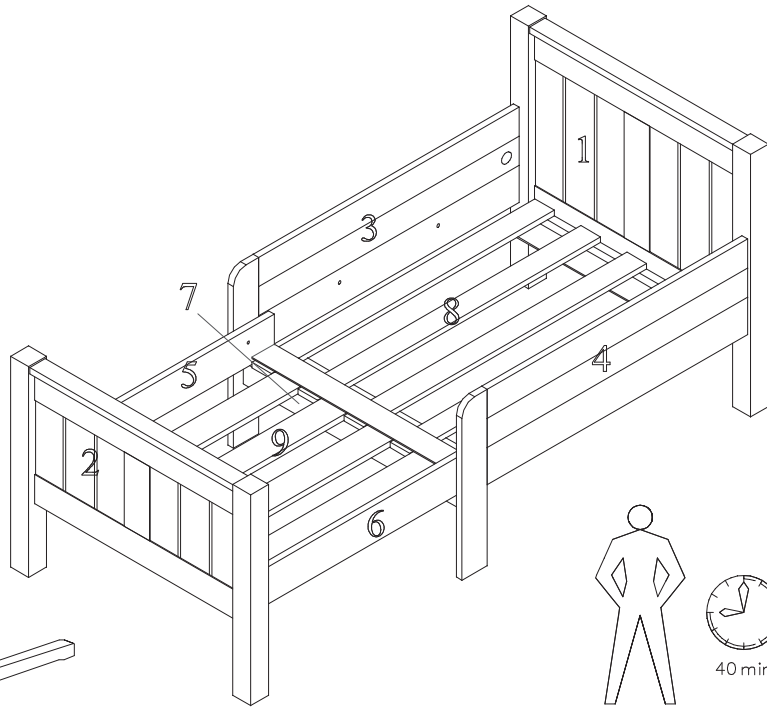
- Check the pack and make sure you have all of the parts listed above. When you are ready to start, make sure that you have the right tools to hand, plenty of space and a clean dry area for assembly.
- Check that parts are present and undamaged before assembling the unit.
- Hardware parts are usually packaged inside a cardboard wrap often located at one end of the carton. Do not discard carton material until you are certain all parts and hardware are present.
- Separate hardware into groups of identical parts for easier identification during assembly.
- Please assemble your furniture on the box it came in to prevent scratching the unit.
- For large units you will need another person to help you with the assembly.
- As with all fine furniture, do not place either hot or cold containers on the surfaces.

## Assembly

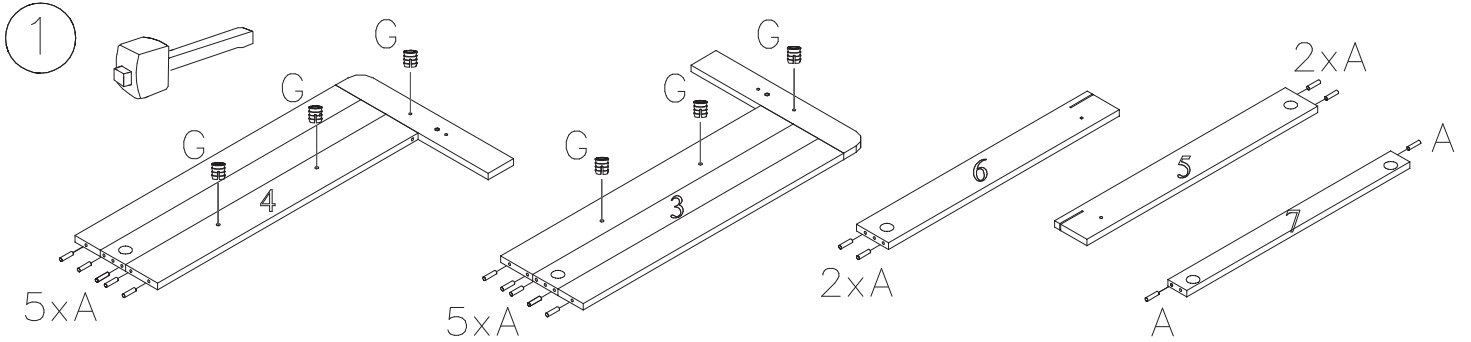
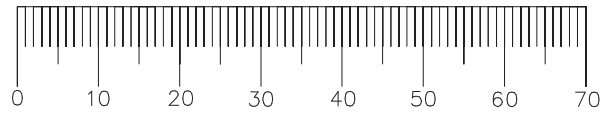
- It is not recommended to use power tools when assembling this product.
- Every product has been thoughtfully engineered for ease of assembly and manufactured with computer-aided precision. All bolts, screws and connectors should be retightened after two weeks use.

## Care & Use

- Wipe clean with a soft damp cloth. Never use scourers abrasives or chemical cleaners.
- As with all furniture pine can be damaged by knocks and scrapes. If you dent the surface or break the seal of the lacquer, rub some solid wax into the dent to exclude atmospheric moisture. Use candle wax for the wooden runners, to allow smoother running.
- Pine is a totally natural material therefore no two pieces are ever identical in pattern or color. Over time, solid wood will darken and mellow, a process that will enhance the beauty and warmth of your furniture as it ages. Exposure to direct sunlight will hasten this process. As a result new pieces may look a shade difference to those you already have. This variation is normal and the color difference will diminish over a short period of time. Similarly, areas that have been concealed for some time by a lamp or vase, for example, will likely be lighter than the surrounding areas. To minimize these differences, it is recommended that lamps and other decorative items be moved periodically so that the aging process will be equalized. Also take care not to subject your furniture to extreme heat like radiators etc, or steamy rooms.

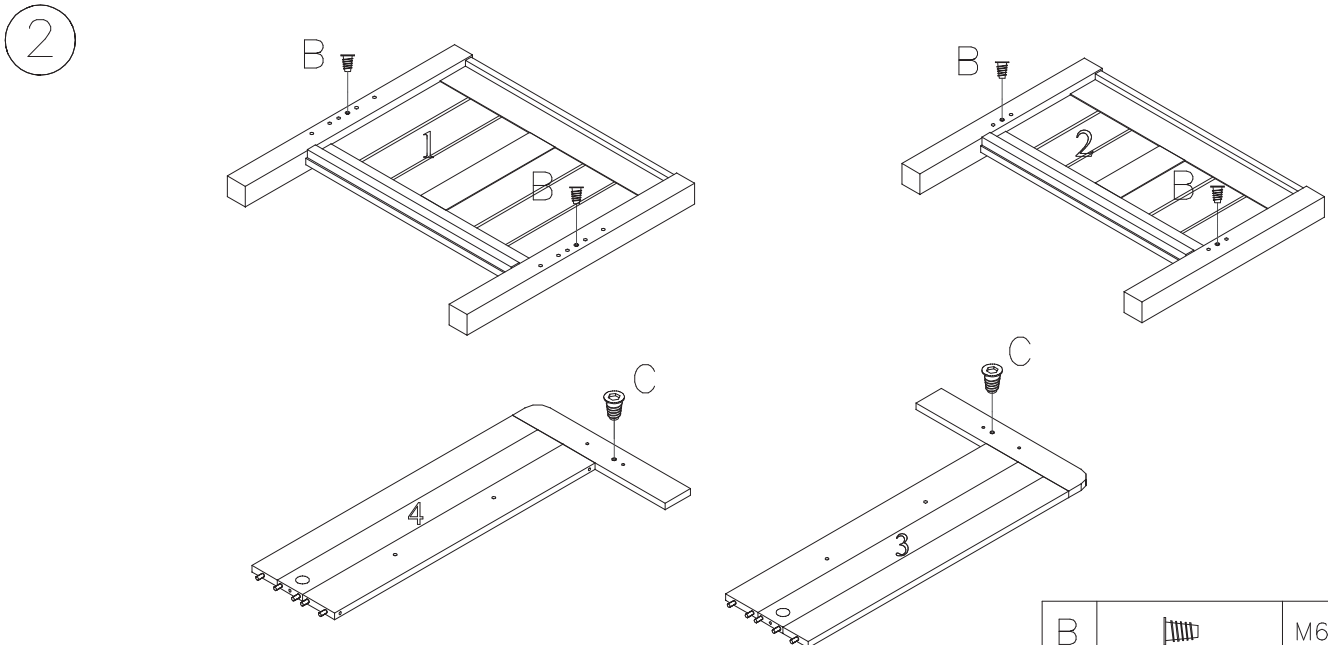


A		10x40	x16
B		M6x11x20	x4
C		M6x11x13	x2
D		M6x50	x6
E		D35	x6
F		3,5x40	x8
G		M6x10x11	x6
H		M6x30	x2
J		D35	x2
K		D8x18x12,5	x2
		4mm	x1
		6mm	x1
			x1



G		M6x10x11	x6
---	--	----------	----

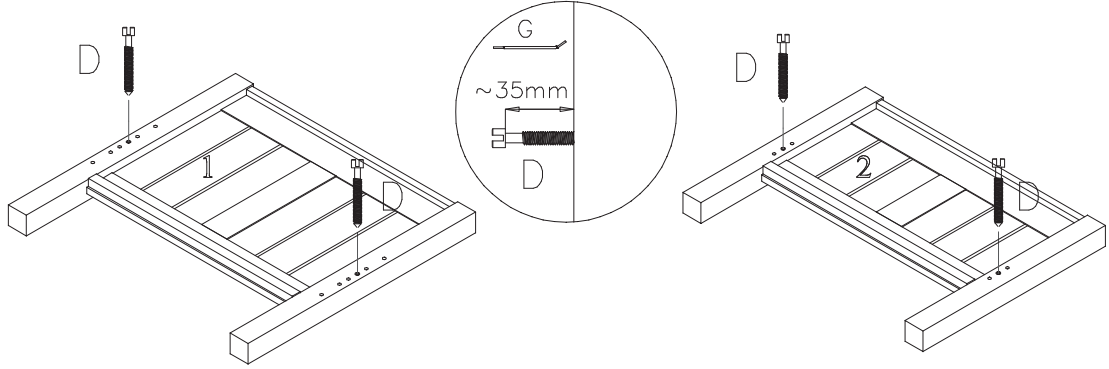
A		10x40	x16
---	--	-------	-----



B		M6x11x20	x4
C		M6x11x13	x2

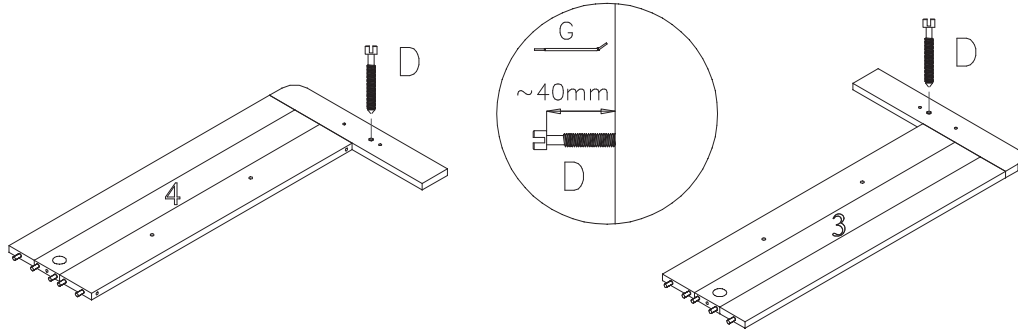
	6mm	x1
--	-----	----

3



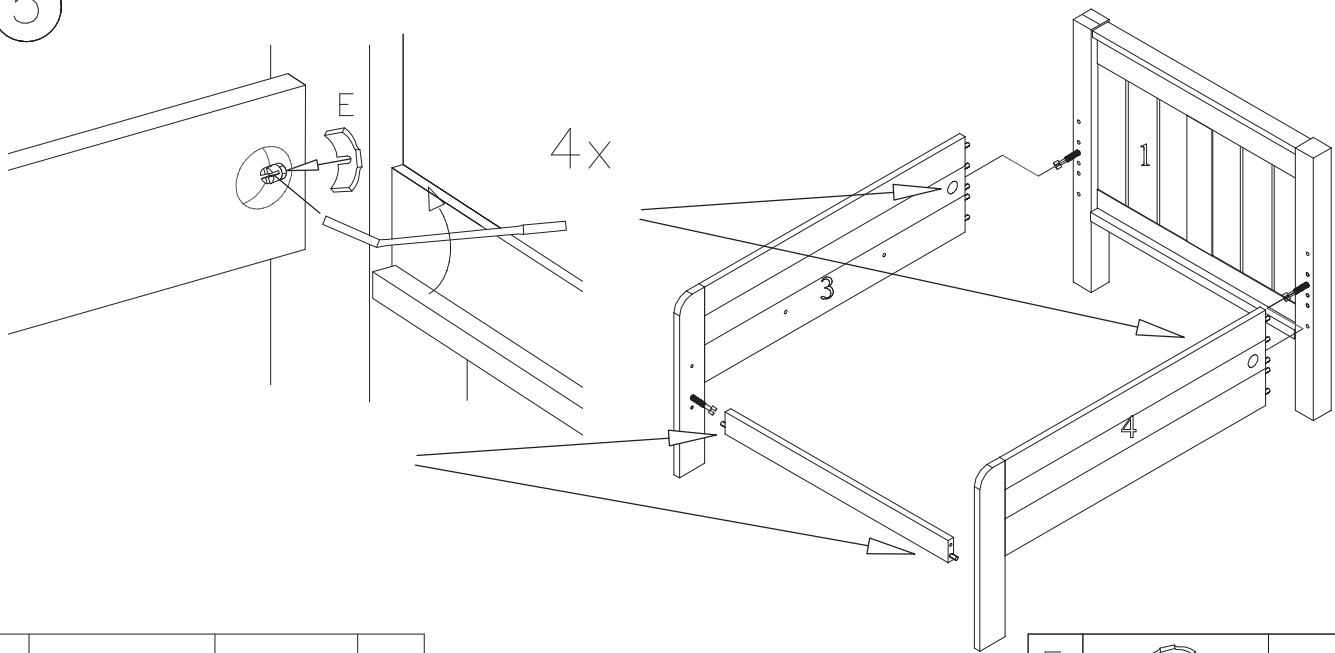
D		M6x50	x4
---	--	-------	----

4



D		M6x50	x6
---	--	-------	----

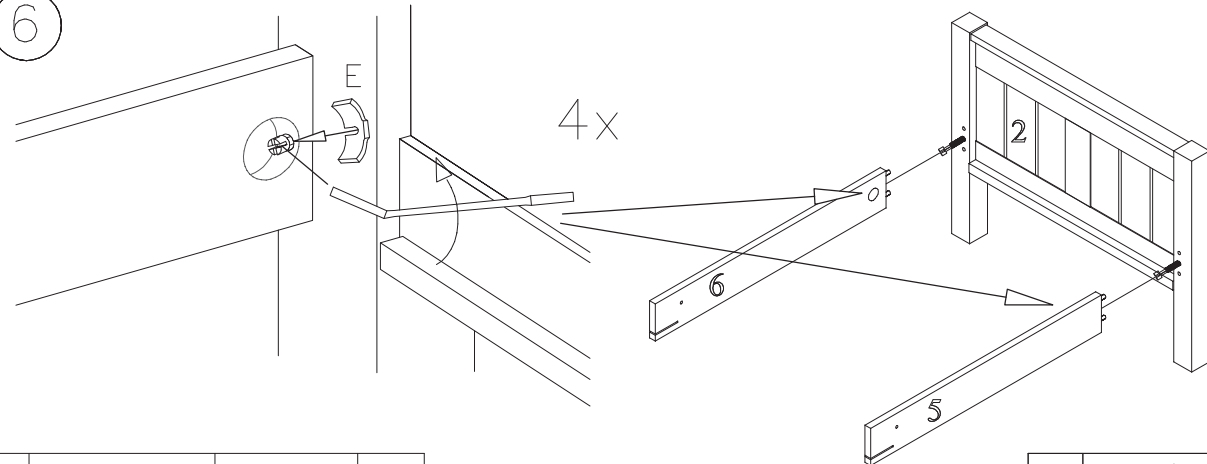
5



	x1
--	----

E		D35	x4
---	--	-----	----

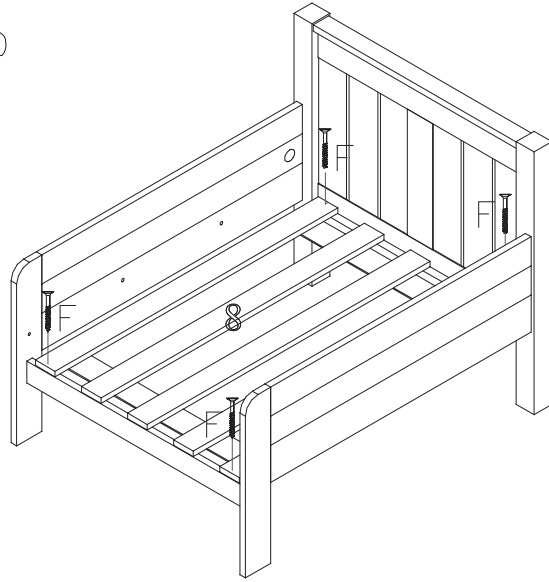
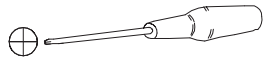
6



	x1
--	----

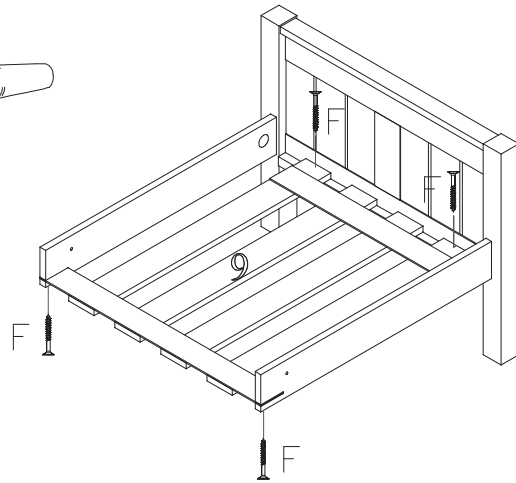
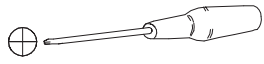
E		D35	x2
---	--	-----	----

7



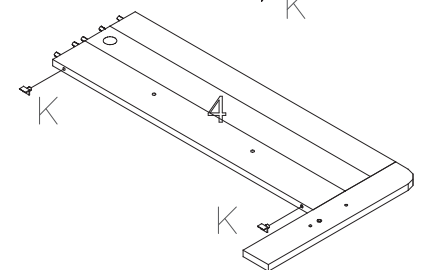
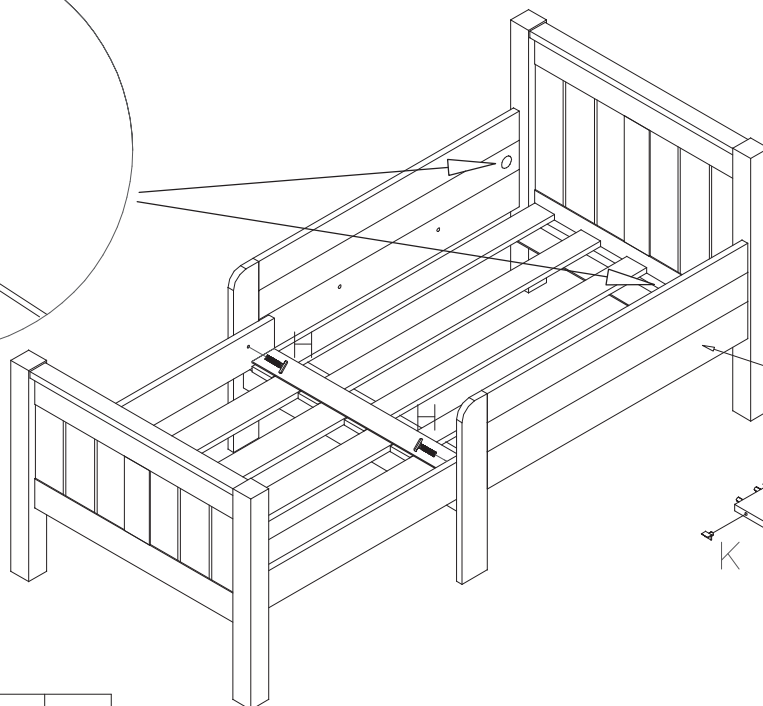
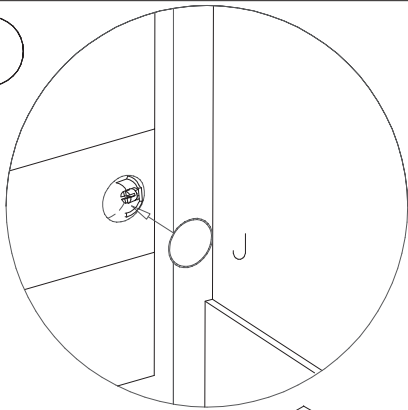
F		3,5x40	x4
---	--	--------	----

8



F		3,5x40	x4
---	--	--------	----

9



H		M6x30	x2
		4mm	x1

J		D35	x2
---	--	-----	----

K		D8x18x12,5	x2
---	--	------------	----