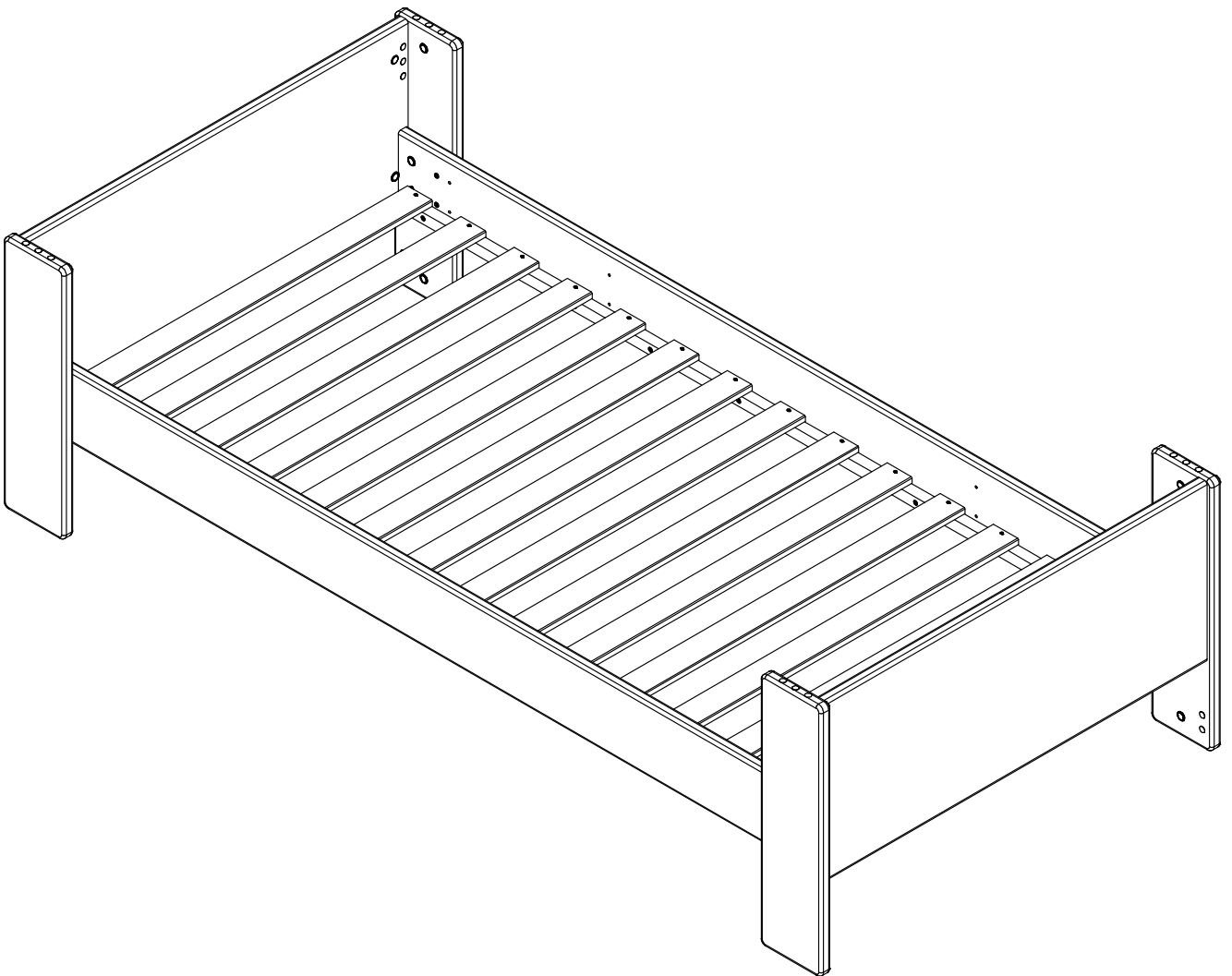
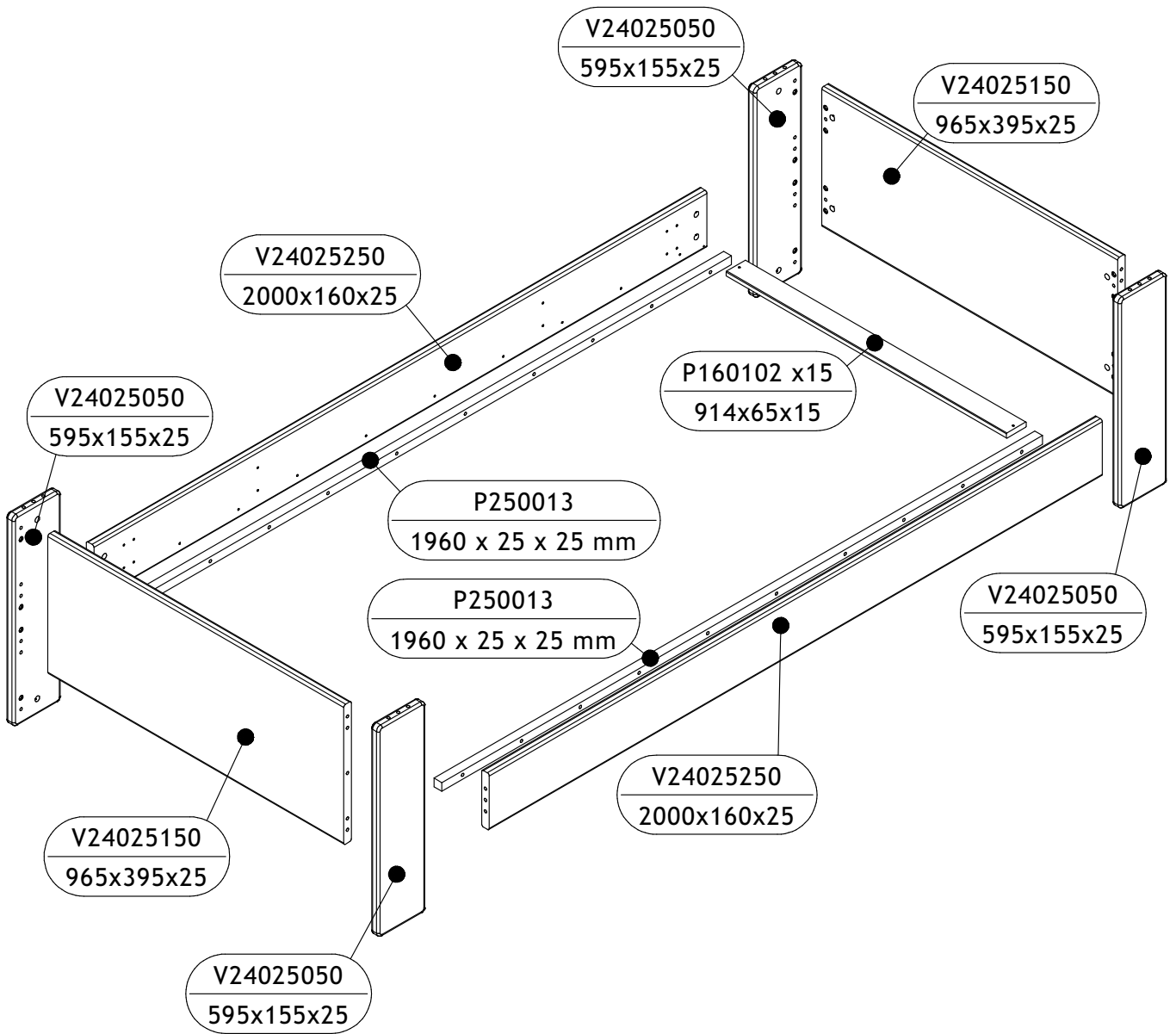


290649050

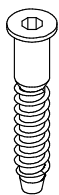




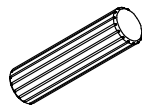
BA10045
3,5x35
30 x A



BA10300
7X40
20 x B



BA10390
8x30
16 x C



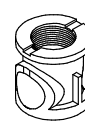
BA10645
M10*6 M/2,5
16 x D



BA10673
Ø7*34/48,5
16 x E



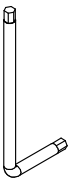
BA10675
Ø15X12
16 x F



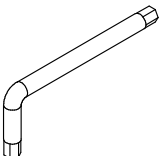
BA10696
M6*Ø10,5*20
16 x G



BA10680
4 mm
1 x H



BA10678
6 mm
1 x I



BA103459
Ø13xØ8 mm
32 x J



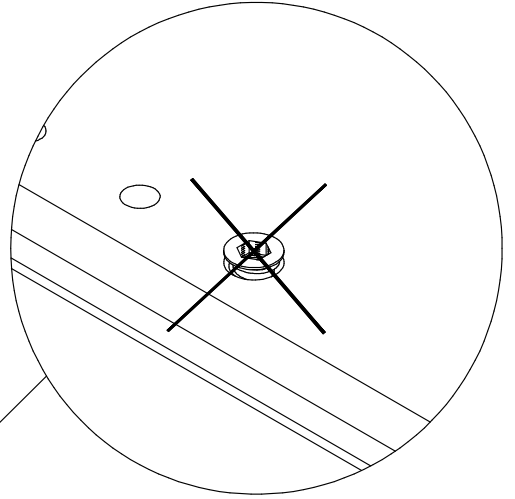
BA103463
Ø18xØ15 mm
20 x K



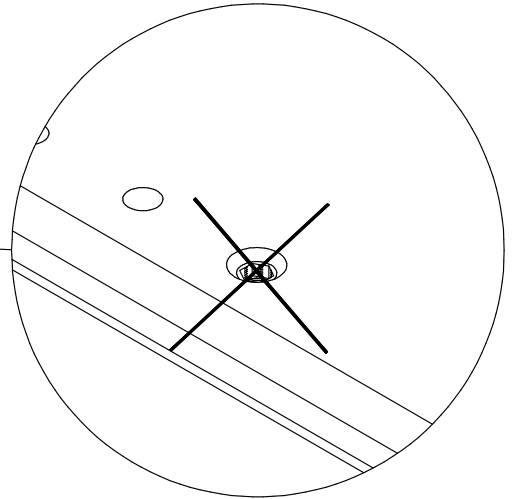
BA10180
4,0x40
8 x L



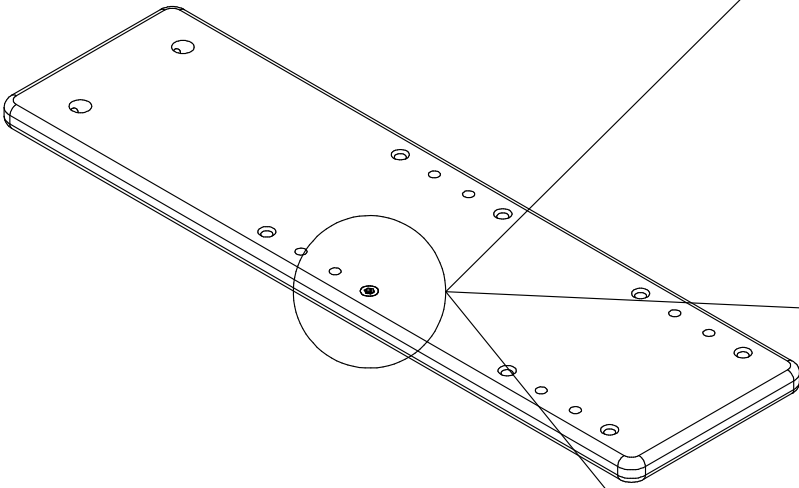
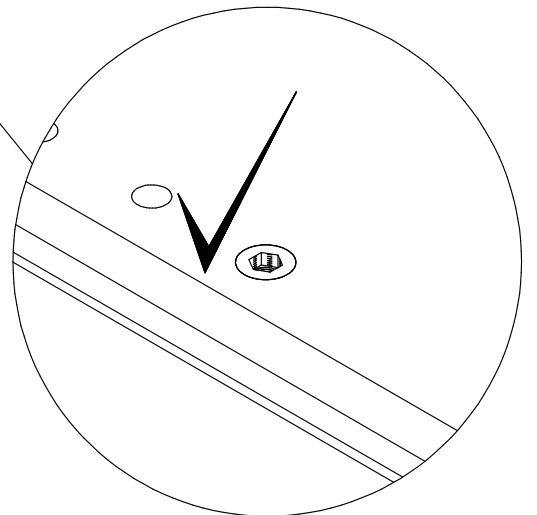
DETAIL A



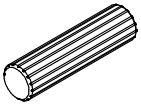
DETAIL B



DETAIL C



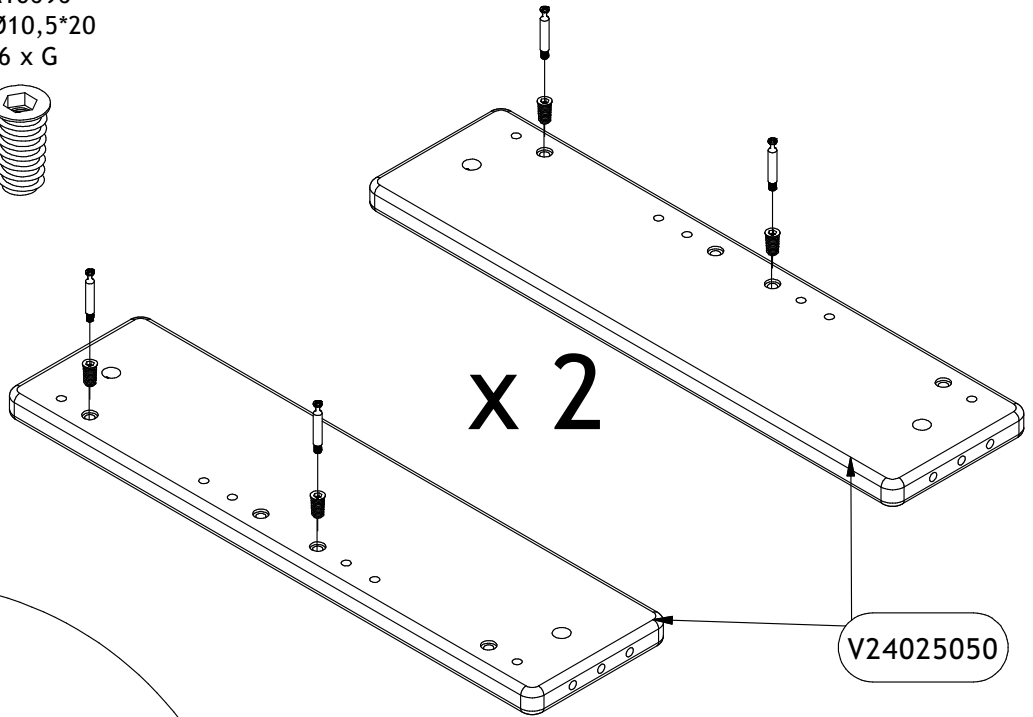
BA10390
8x30
12 x C



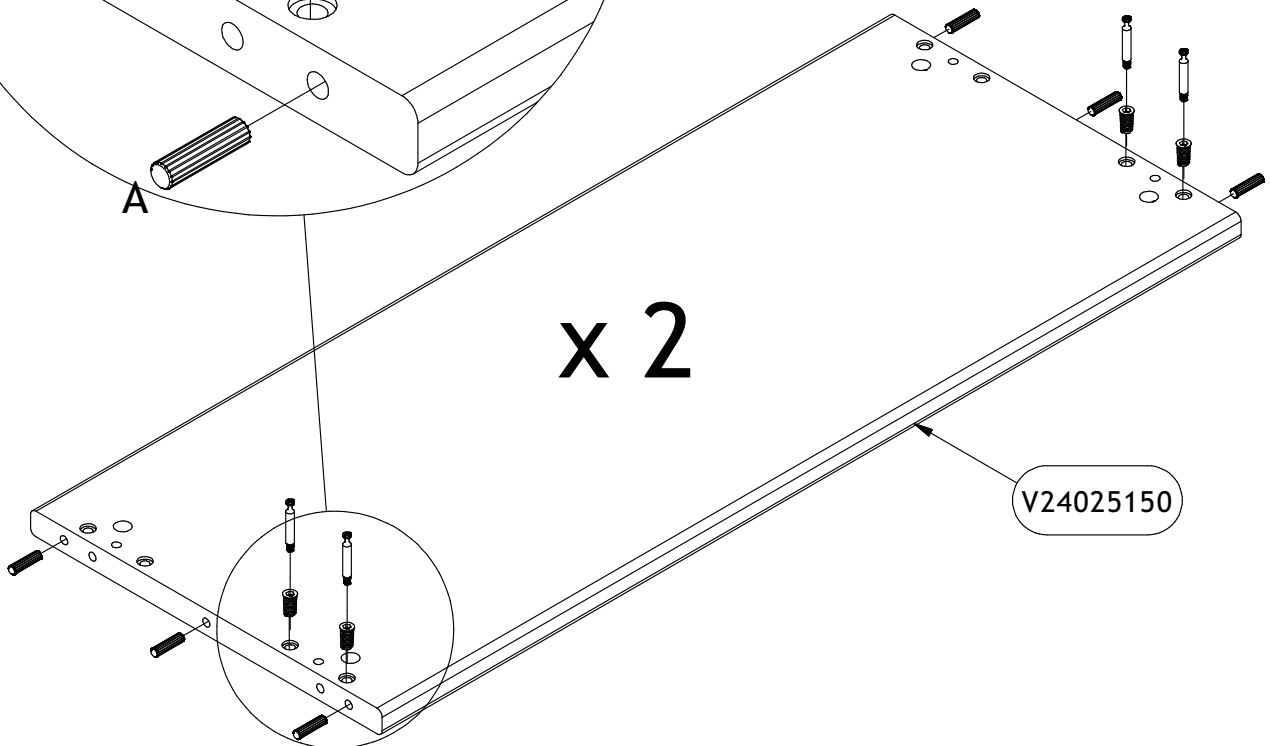
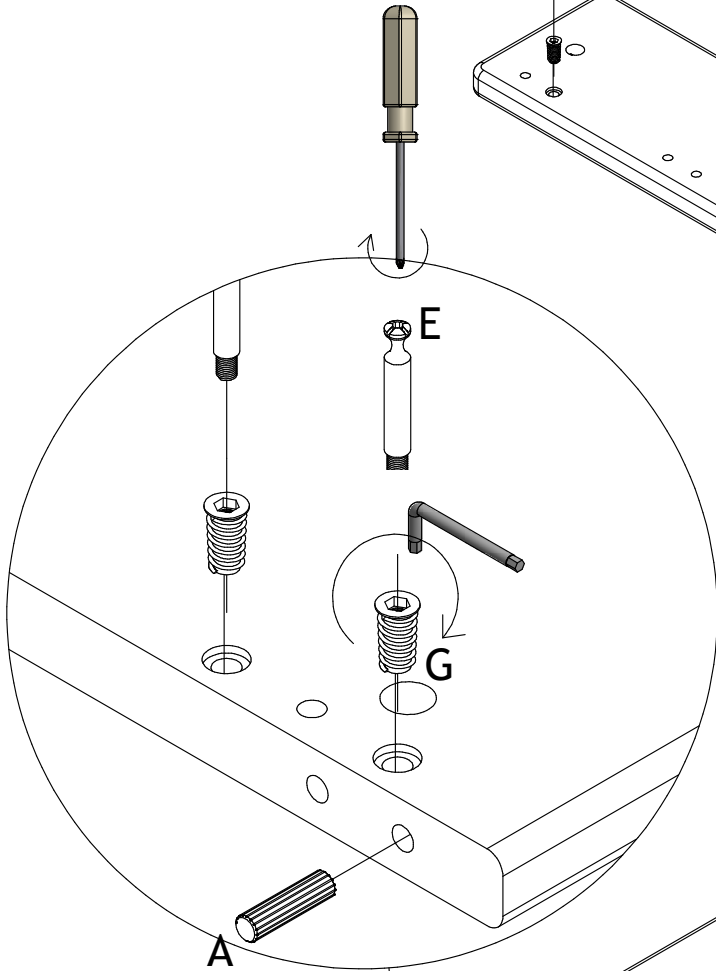
BA10673
Ø7*34/48,5
16 x E



BA10696
M6*Ø10,5*20
16 x G

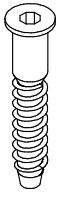


V24025050

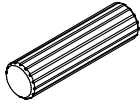


V24025150

BA10300
7X40
20 x B



BA10390
8x30
4 x C



BA10645
M10*6 M/2,5
8 x D



BA10675
Ø15X12
8 x F



P250013

V24025250

x 2

V24025050

V24025150

x 2

V24025050

B

C

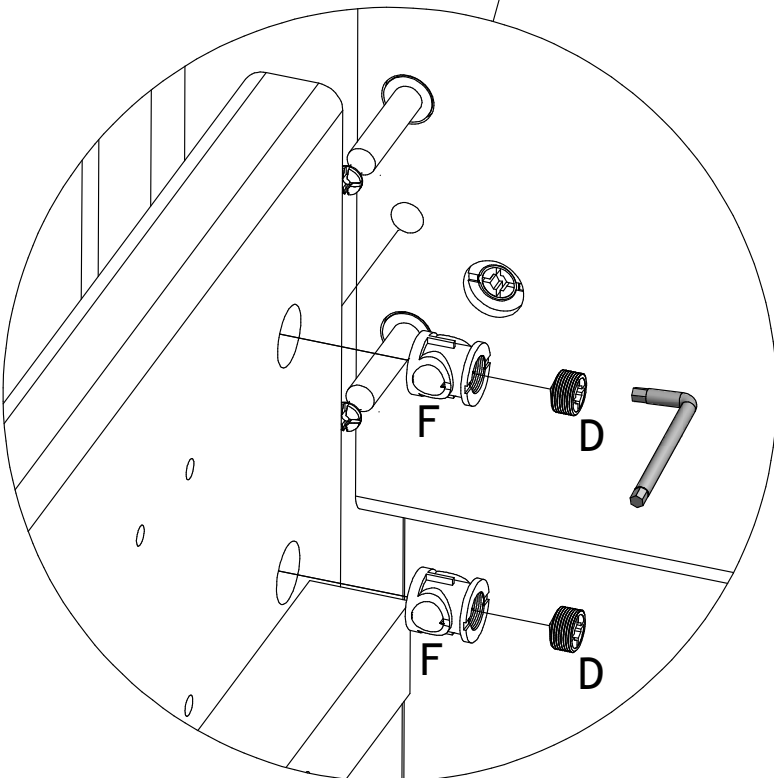
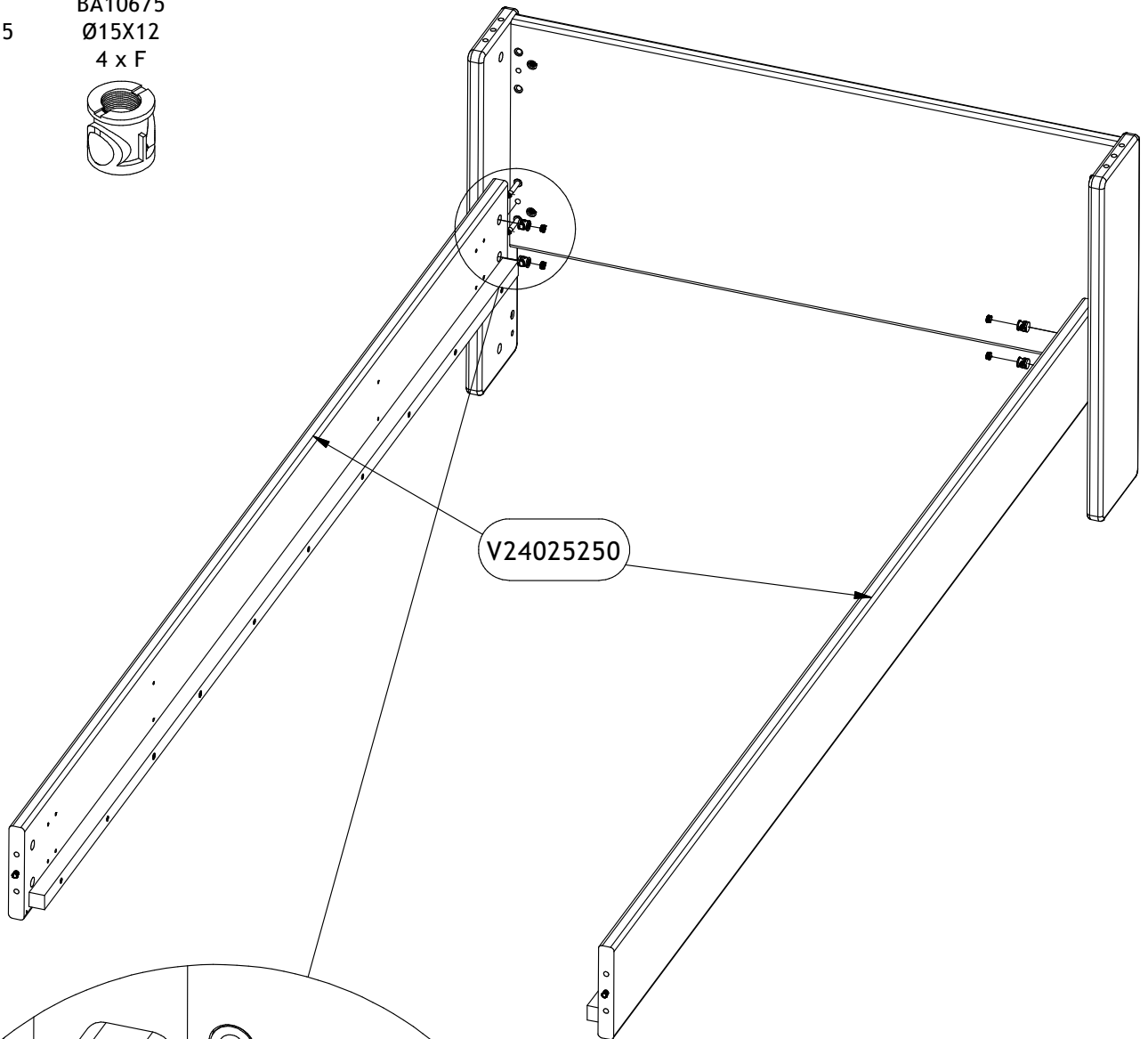
F

D

BA10645
M10*6 M/2,5
4 x D



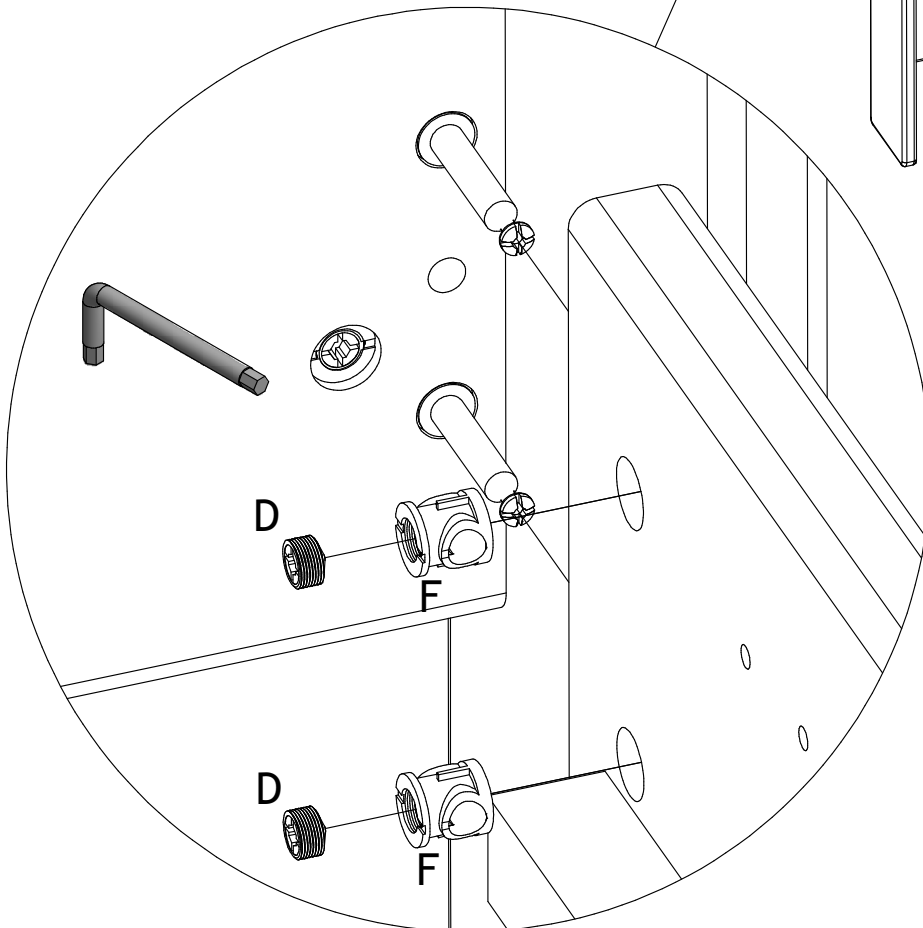
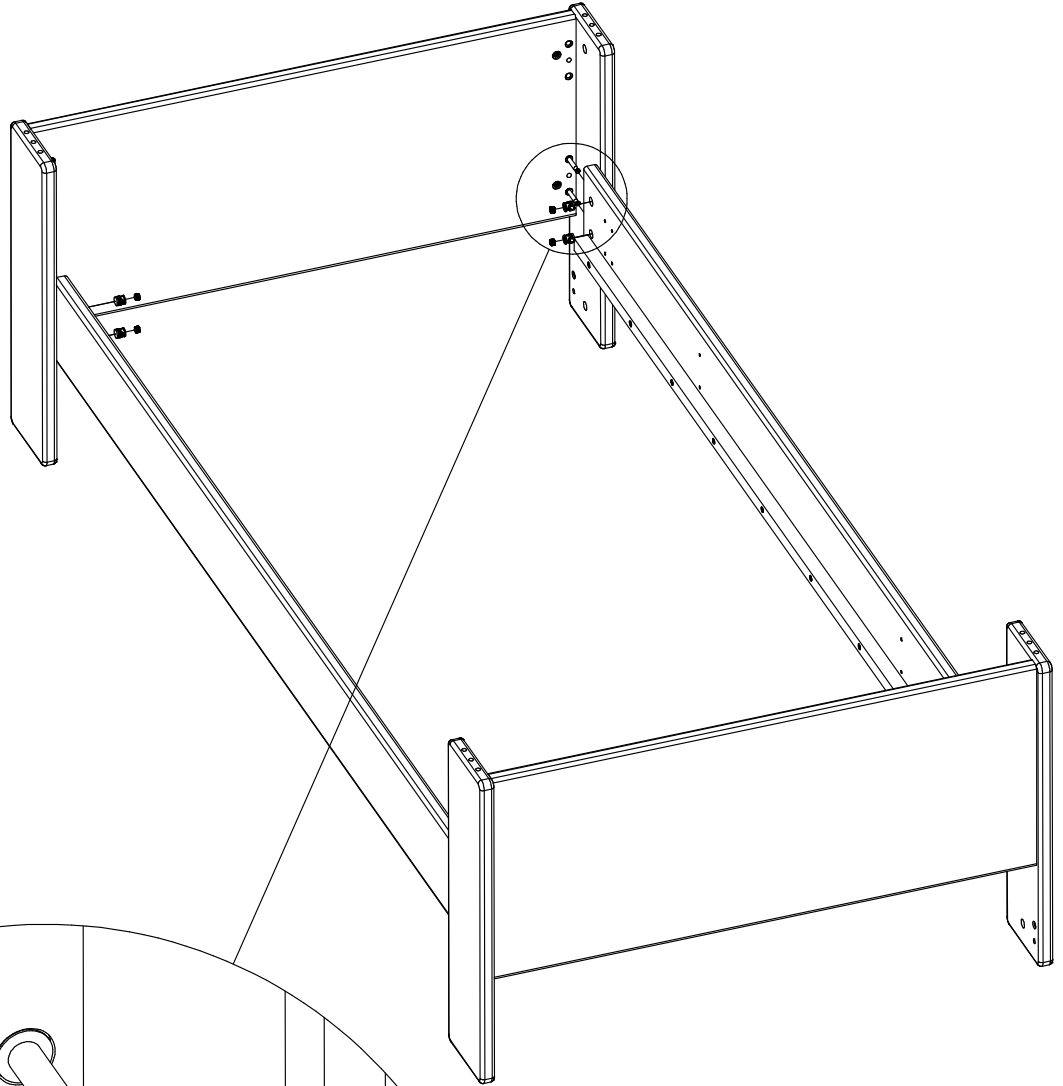
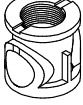
BA10675
Ø15X12
4 x F



BA10645
M10*6 M/2,5
4 x D



BA10675
Ø15X12
4 x F



BA10045
3,5x35
30 x A



BA10180
4,0x40
8 x L



BA103459
ø13xø8 mm
32 x J



BA103463
ø18xø15 mm
20 x K

