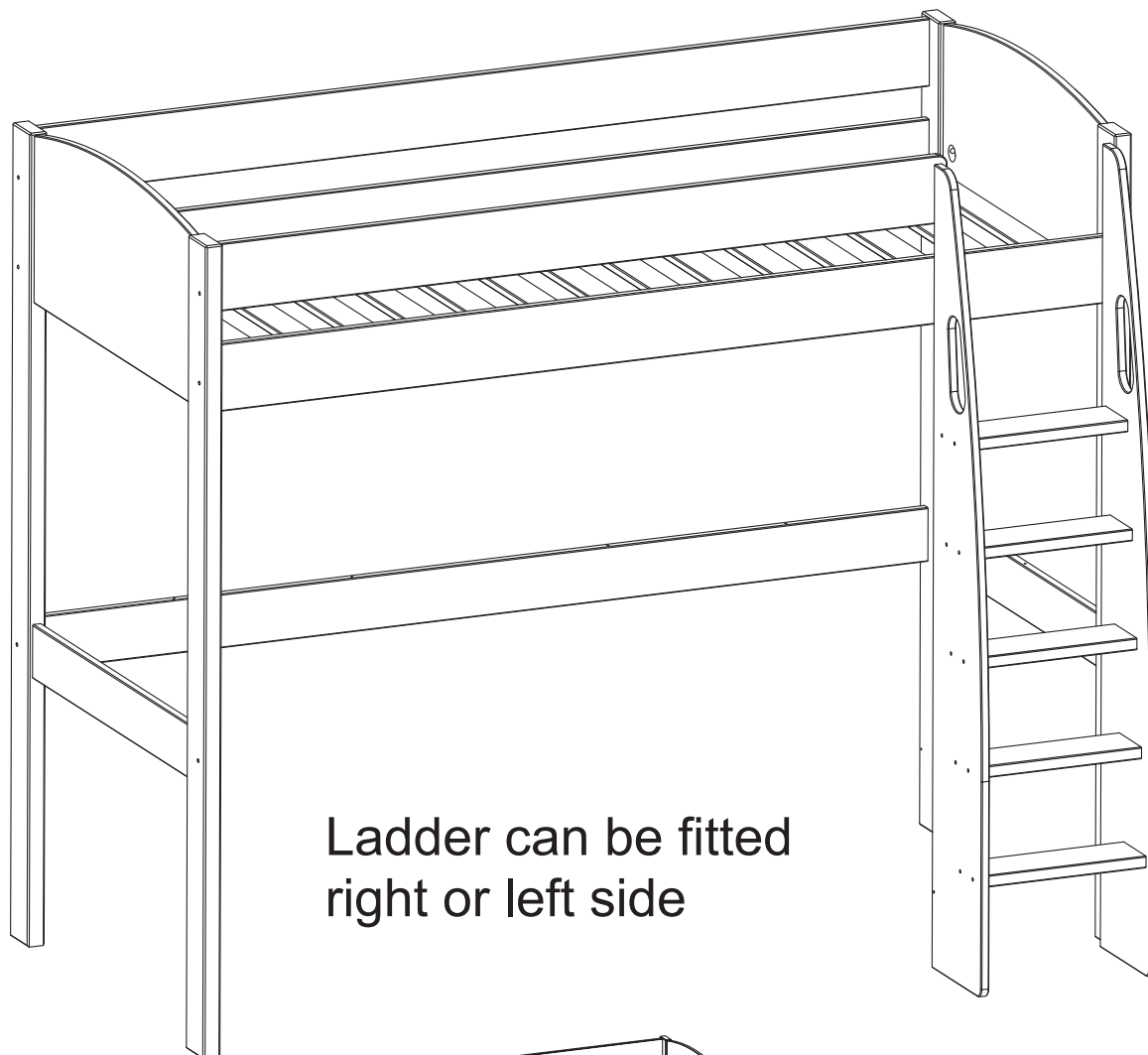


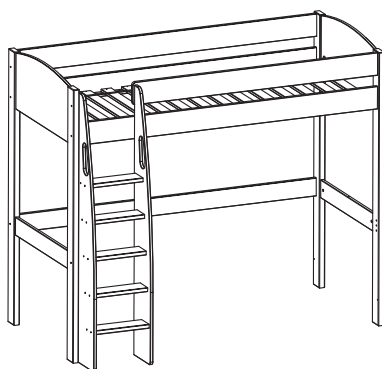
Stompa® - Uno S Highsleeper

Assembly Instructions - Please keep for future reference

T1088-02



Ladder can be fitted
right or left side



Dimensions

Width - 208,2 cm

Depth - 121,2 cm

Height - 178,3 cm

Important – Please read these instructions fully before starting assembly

If you need help or have damaged or missing parts, call the Customer Helpline: **0844 8008475**




Instructions for use

IMPORTANT, READ CAREFULLY - RETAIN FOR FUTURE REFERENCE

WARNING: High beds and the upper bed of bunk beds are not suitable for children under six years due to the risk of injury from falls

- Do not use the bed if any structural part is broken or missing.
- Warning! Children can become trapped between the bed and the wall.
- To avoid risk of serious injury the distance between the top safety barrel and the wall shall not exceed 75 mm or shall be more than 230mm.
- Be aware that children can strangle in items such as ropes, strings, cords, harnesses and belts attached to or hung on a bunk bed/high bed.
- **Mattress:** This bed is designed to use a mattress size 200 cm long and 90 cm wide. The total thickness must not exceed 15,25 cm. The label on the ladder side indicates maximum height of mattress to be used in this bed.
- The bunk bed meets the European EN 747-1:2012 standards for security and durability.
- The bunk bed meets the Bunk Beds (Entrapment Hazards) (Safety) Regulations 1987

Before Starting Assembly

- Check you have all the components and tools listed on page 3 and 4.
- Remove all fittings from the plastic bags and separate them into their groups.
- Keep children and animals away from the work area, small parts could choke if swallowed.
- Make sure you have enough space to lay out the parts before starting.
- Assemble the item as close to its final position (in the same room) as possible.
- Assemble on a soft level surface to avoid damaging the unit or your floor.
-  • We do not recommend the use of power drills/drivers for inserting screws, as this could damage the unit. Only use hand screwdrivers.
- Dispose of all packaging carefully and responsibly.

Care and maintenance

- Only clean using a damp cloth and mild detergent, do not use bleach or abrasive cleaners.
- Regularly check that there are no loose screws on this unit and tighten when necessary.
- Parts of your product are produced from solid pine which is a natural product containing a beautiful wooden structure. Direct sunlight can speed up the natural process of the resin contained in the pine knots to change colour around knots. This is a normal process happening to natural wood and cannot be seen as a manufacturer's fault. All wood has been dried to industry standards for furniture timber and all procedures for obtaining the best lacquering finish have been followed.
- Our furniture will endure most temperatures in the home but it is best to avoid placing furniture next to heat sources as radiators or fire. Be particularly careful with solid wood as the lack of humidity caused by central heating can cause damage such as warping.

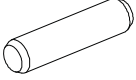



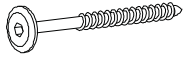
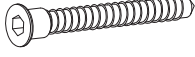
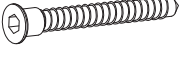






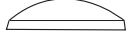

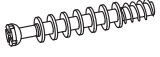



Safety when using your bed

Do not allow children to climb over the safety rails. Always use the ladder when climbing in and out of bed. Never attempt to hang bags, bunting or other items with strings or handles on the bed.

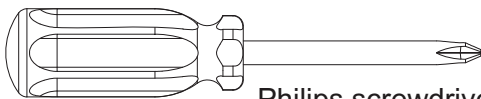
Components - Fittings

Please check you have all the fittings listed below

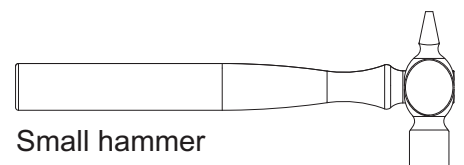
Note: The quantities below are the correct amount to complete the assembly. In some cases more fittings may be supplied than are required.

<p>A  8x40 Wooden dowel x 47</p>	<p>B  M6x10x13 Cross dowel x 4</p>	<p>C  M6x75 Bolt x 4</p>
<p>D  6,3x70 Screw x 5</p>	<p>E  55/12,5x5(Zn) x 4</p>	<p>F  7x50 Screw x 20</p>
<p>G  7x60 Screw x 4</p>	<p>H  D=35 Sector x 4</p>	<p>I  3,5x40 Screw x 30</p>
<p>J  D4x13 Cover Cap x 20</p>	<p>K  D8x13 Cover Cap x 11</p>	<p>L  D15x18 Cover Cap x 4</p>
<p>M  Glue x 1</p>	<p>N  D15x18 Cover Cap x 9</p>	<p>O  D35 Cover Cap x 4</p>
<p>P  7x34 Metal dowel x 4</p>	<p>Q  5x38 (Zn) Screw x 1</p>	<p>R  4mm Allen key x 1</p>
<p>S  D15x12 Locking nut x 4</p>		

Tools required



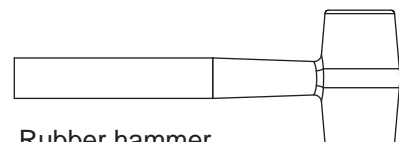
Philips screwdriver (medium)



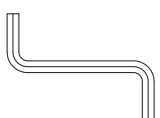
Small hammer



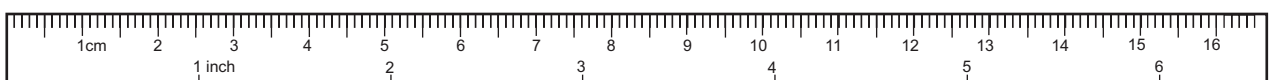
Flathead screwdriver (medium)



Rubber hammer



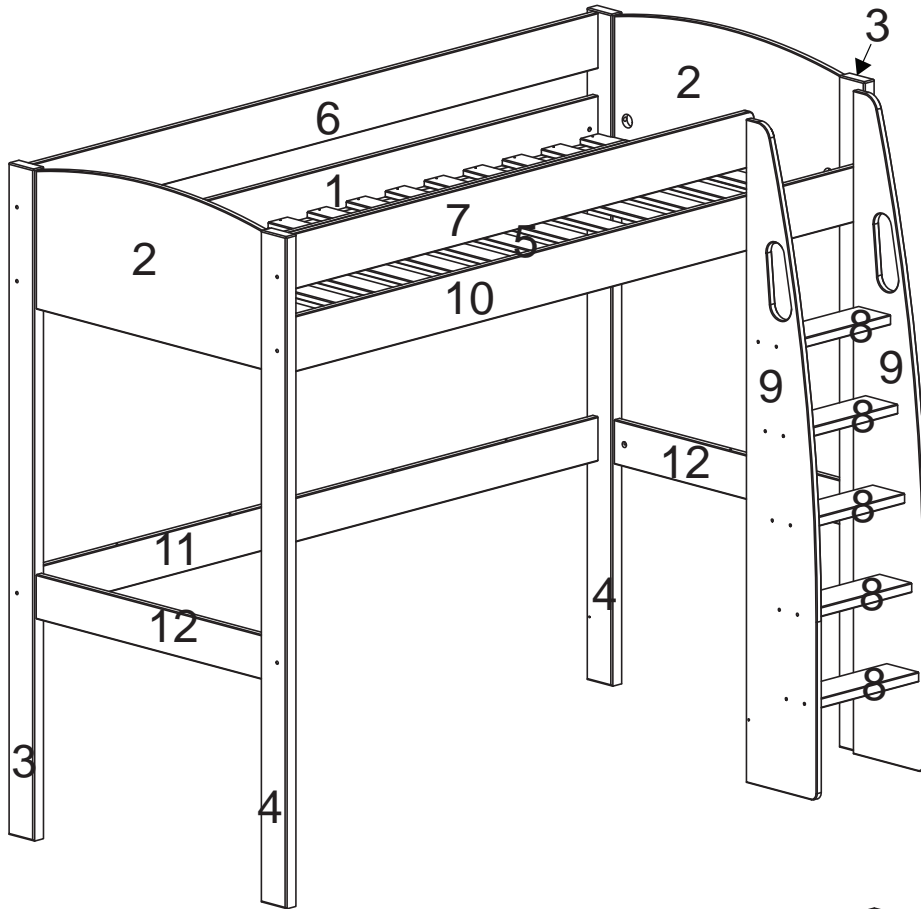
Allen key (incl)



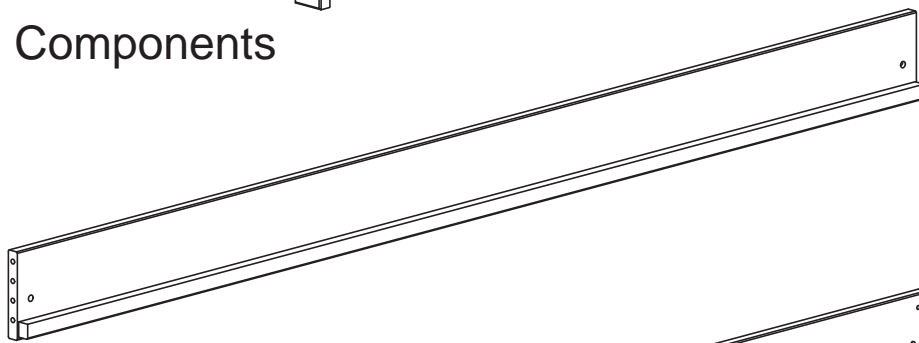
Rulers - Use this ruler to help correctly identify the screws

Components - Panels

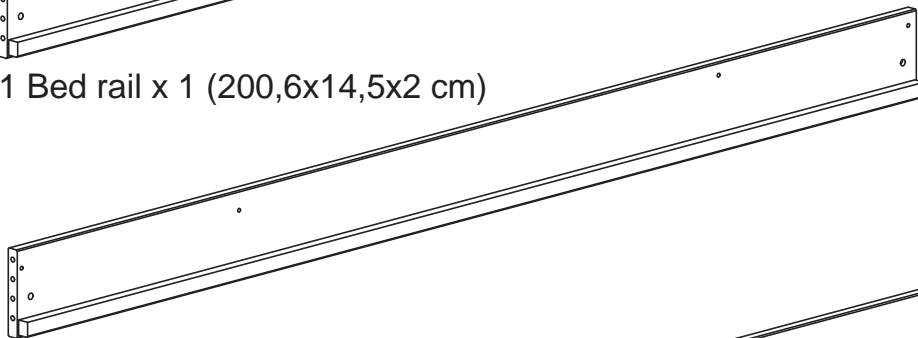
Please check you have all the panels listed below



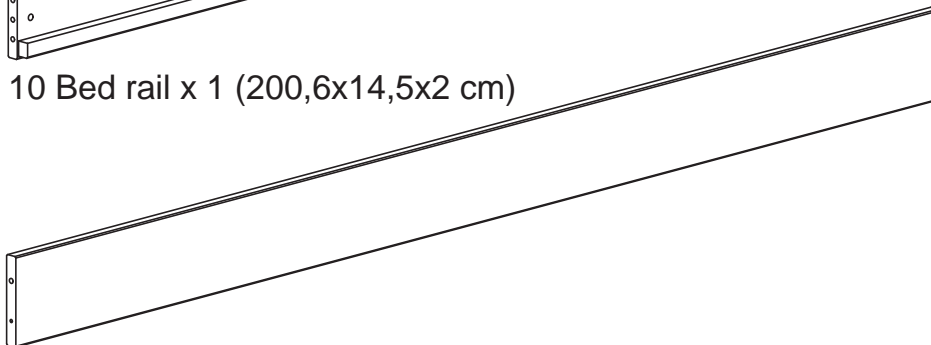
Components



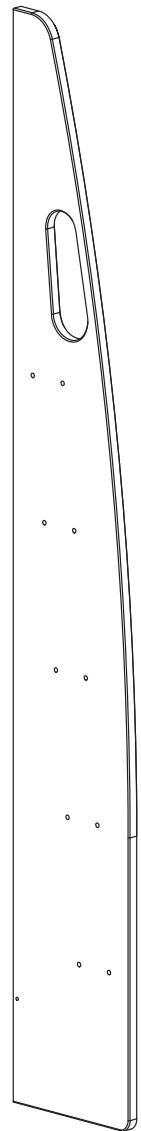
1 Bed rail x 1 (200,6x14,5x2 cm)



10 Bed rail x 1 (200,6x14,5x2 cm)



6 Bed safety rail x 1 (200,6x14,5x2 cm)

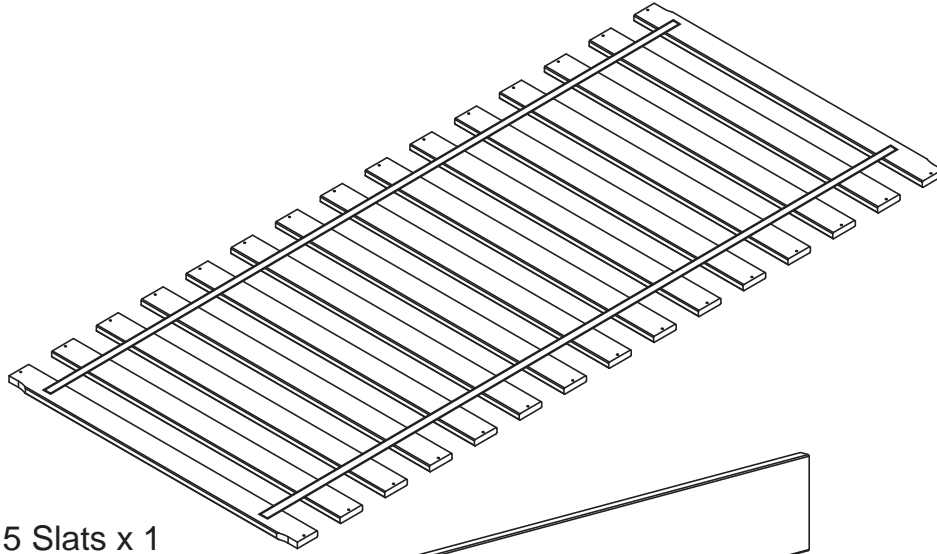


9 Ladder side x 2
(172x25x1,8 cm)

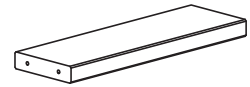


Components - Panels

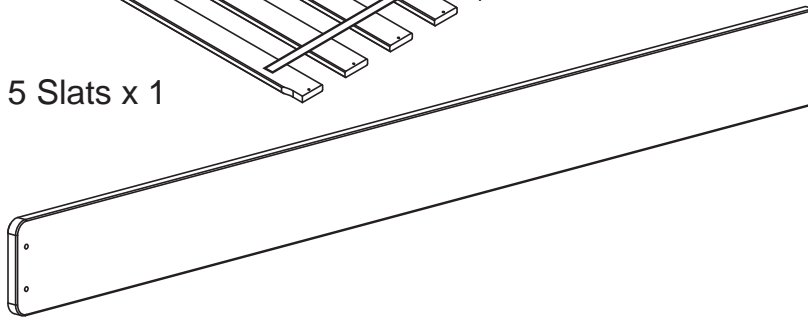
Please check you have all the panels listed below



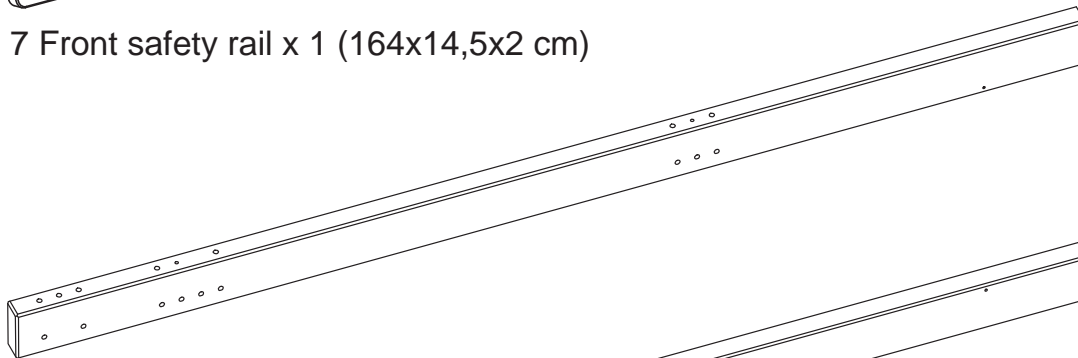
5 Slats x 1



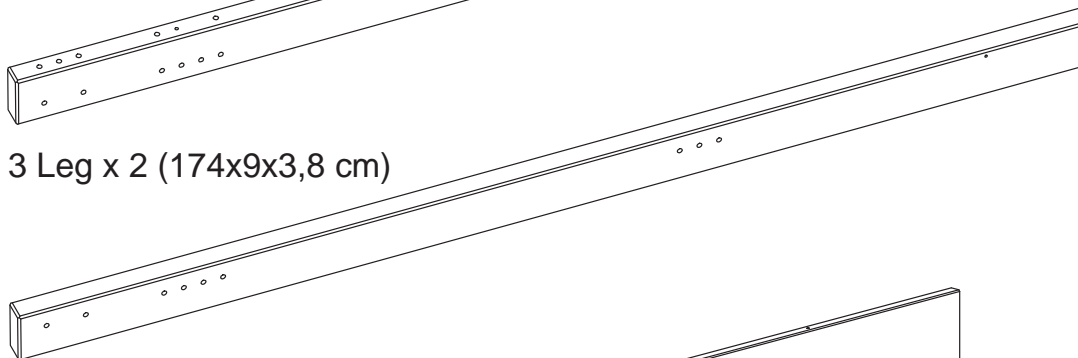
8 Step x 5
(36x11,5x2,5 cm)



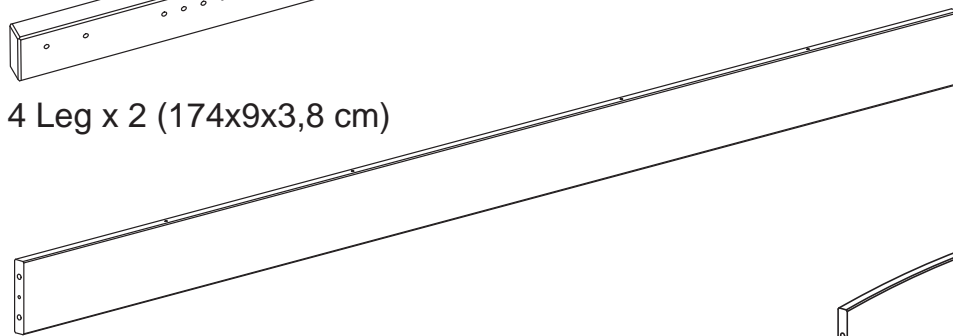
7 Front safety rail x 1 (164x14,5x2 cm)



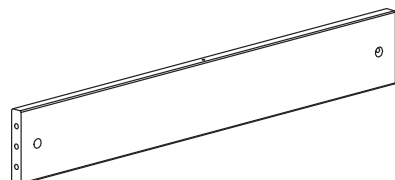
3 Leg x 2 (174x9x3,8 cm)



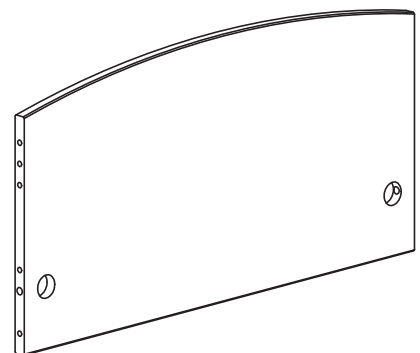
4 Leg x 2 (174x9x3,8 cm)



11 Bed rail x 1 (200,6x11,5x2 cm)



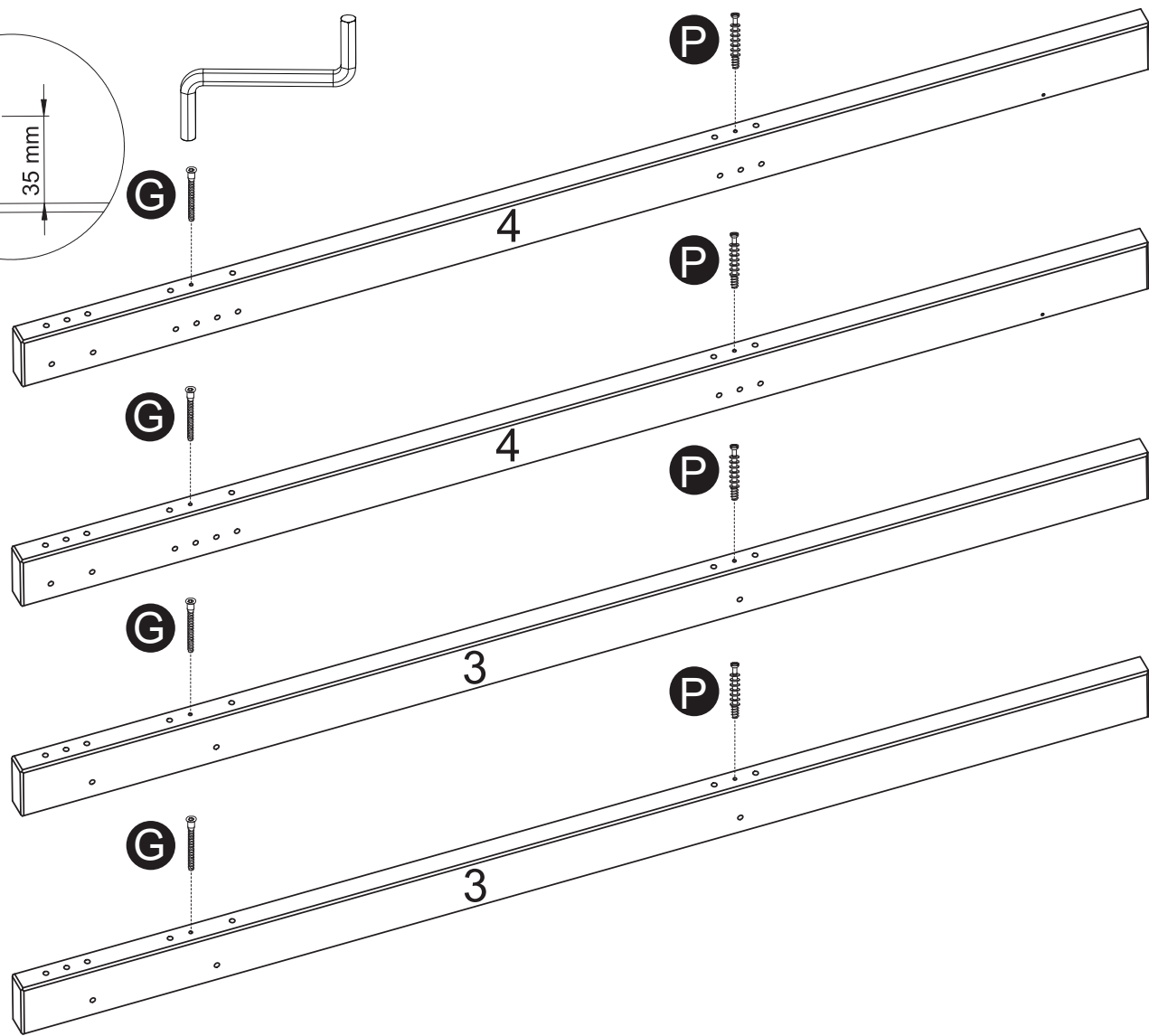
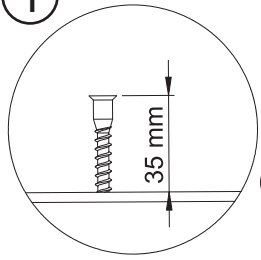
12 End rail x 2 (80,2x11,5x2 cm)



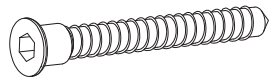
2 End rail x 2
(80,2x40,4x1,9 cm)



1

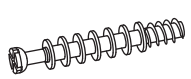


G

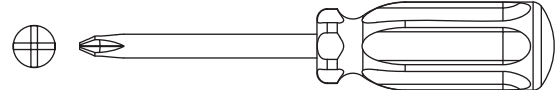


7x60 Screw x 4

P



7x34 Metal dowel x 4



2

2 x

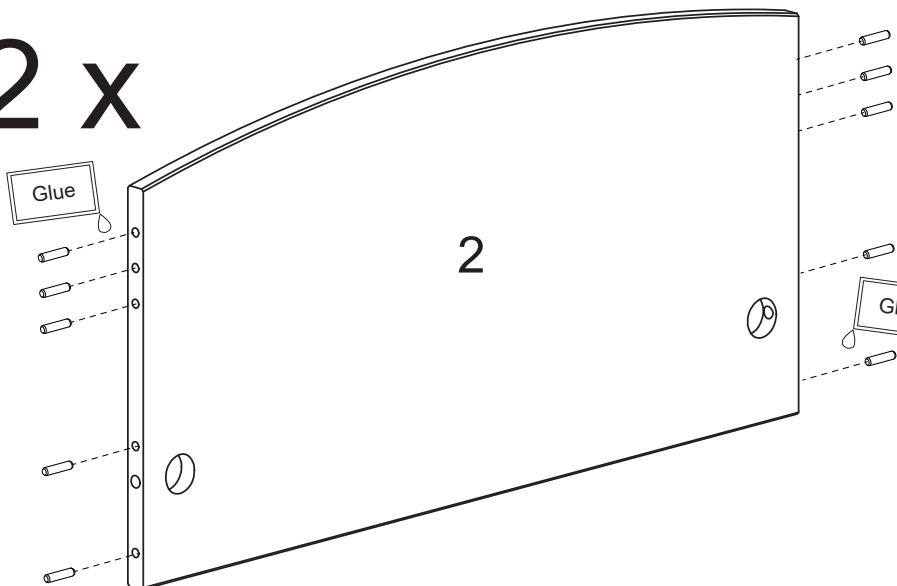
5 x A

2

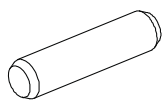
5 x A

Glue

Glue



A

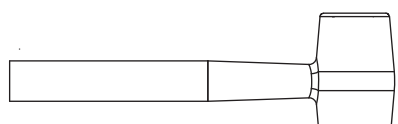


8x40 Wooden dowel x 20

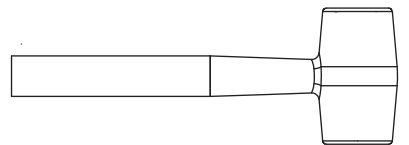
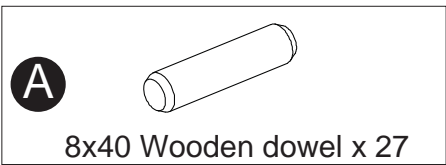
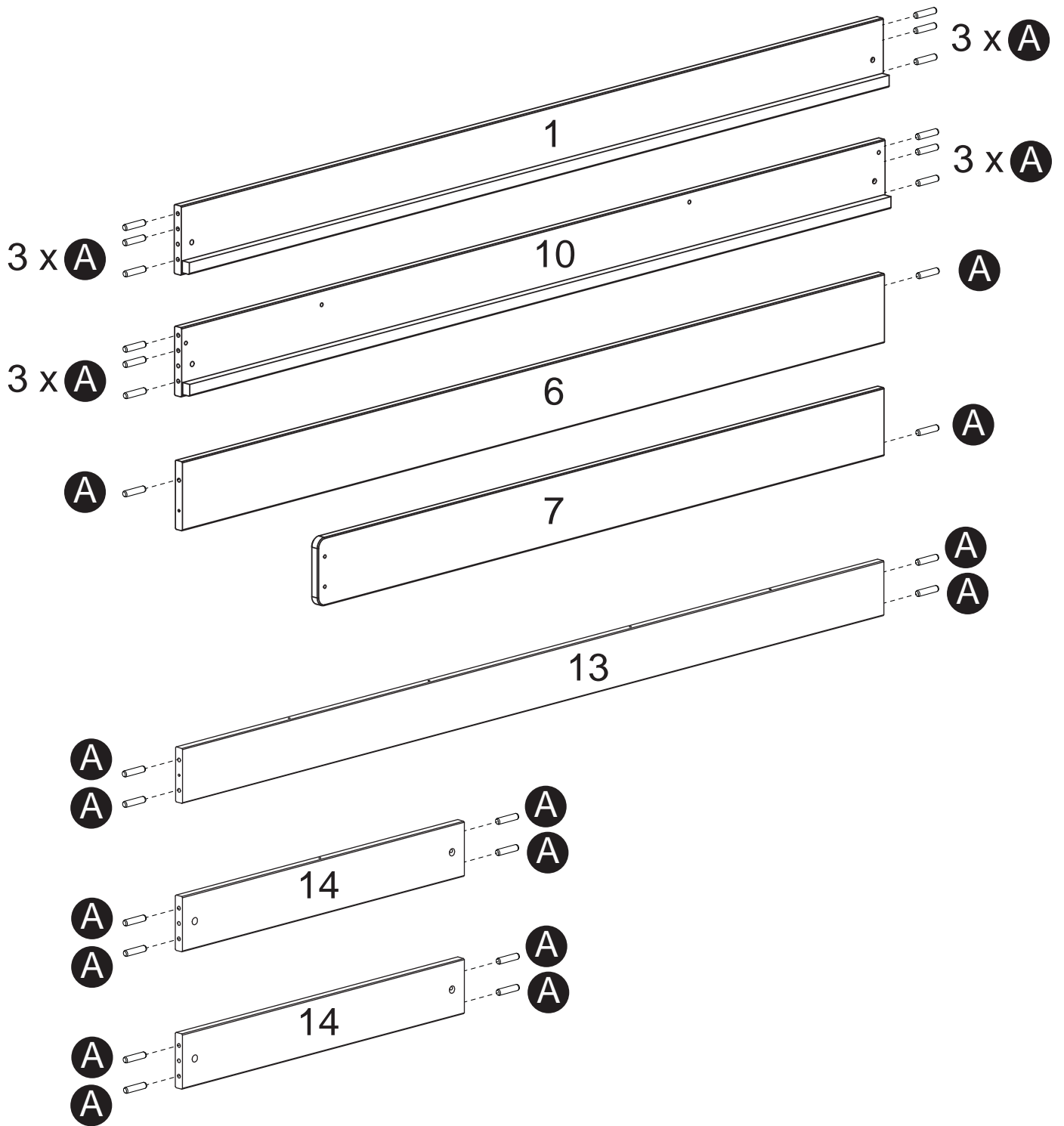
M



Glue x 1

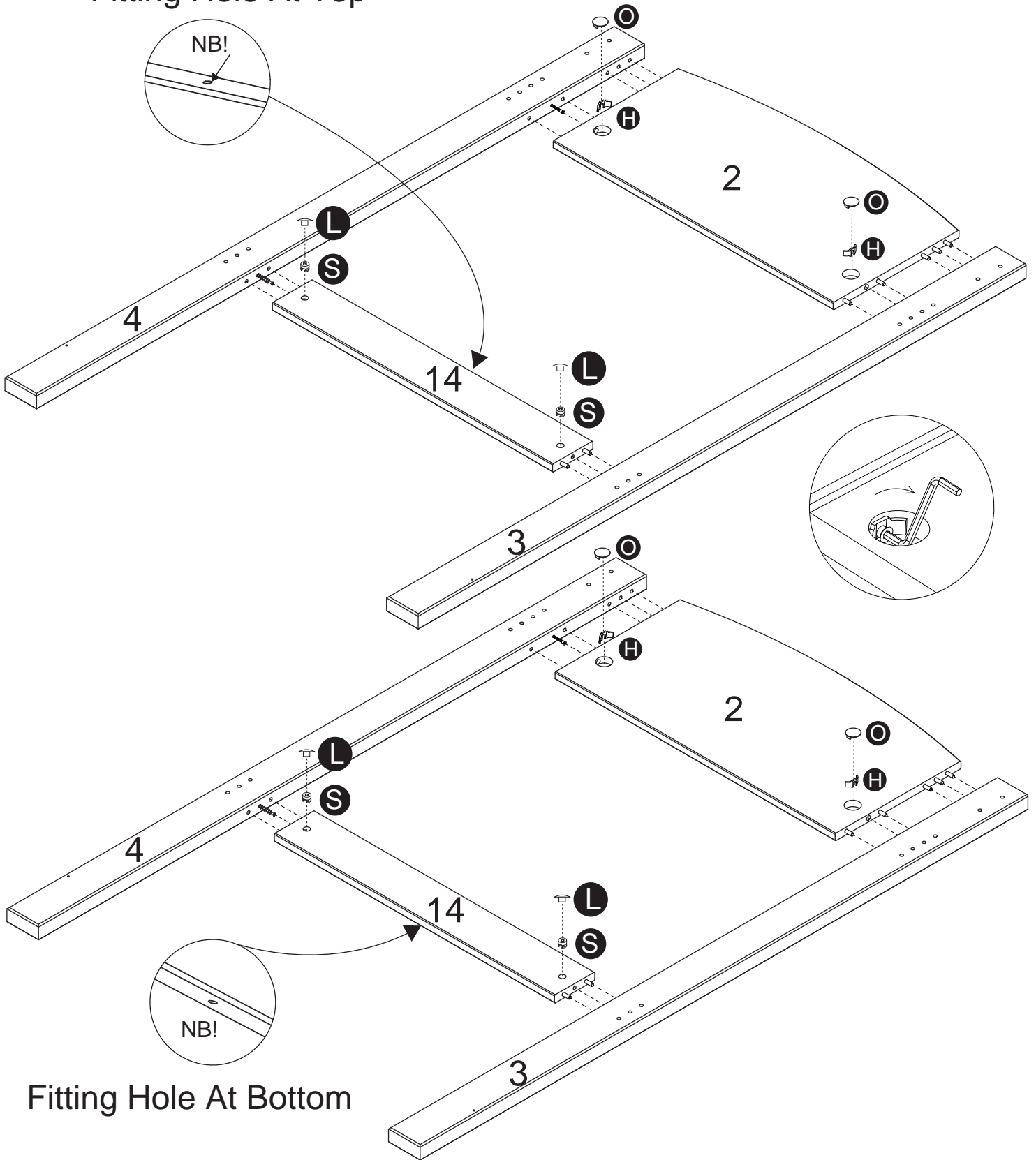


3



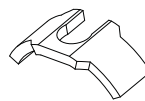
4

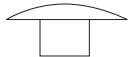
Fitting Hole At Top



Fitting Hole At Bottom

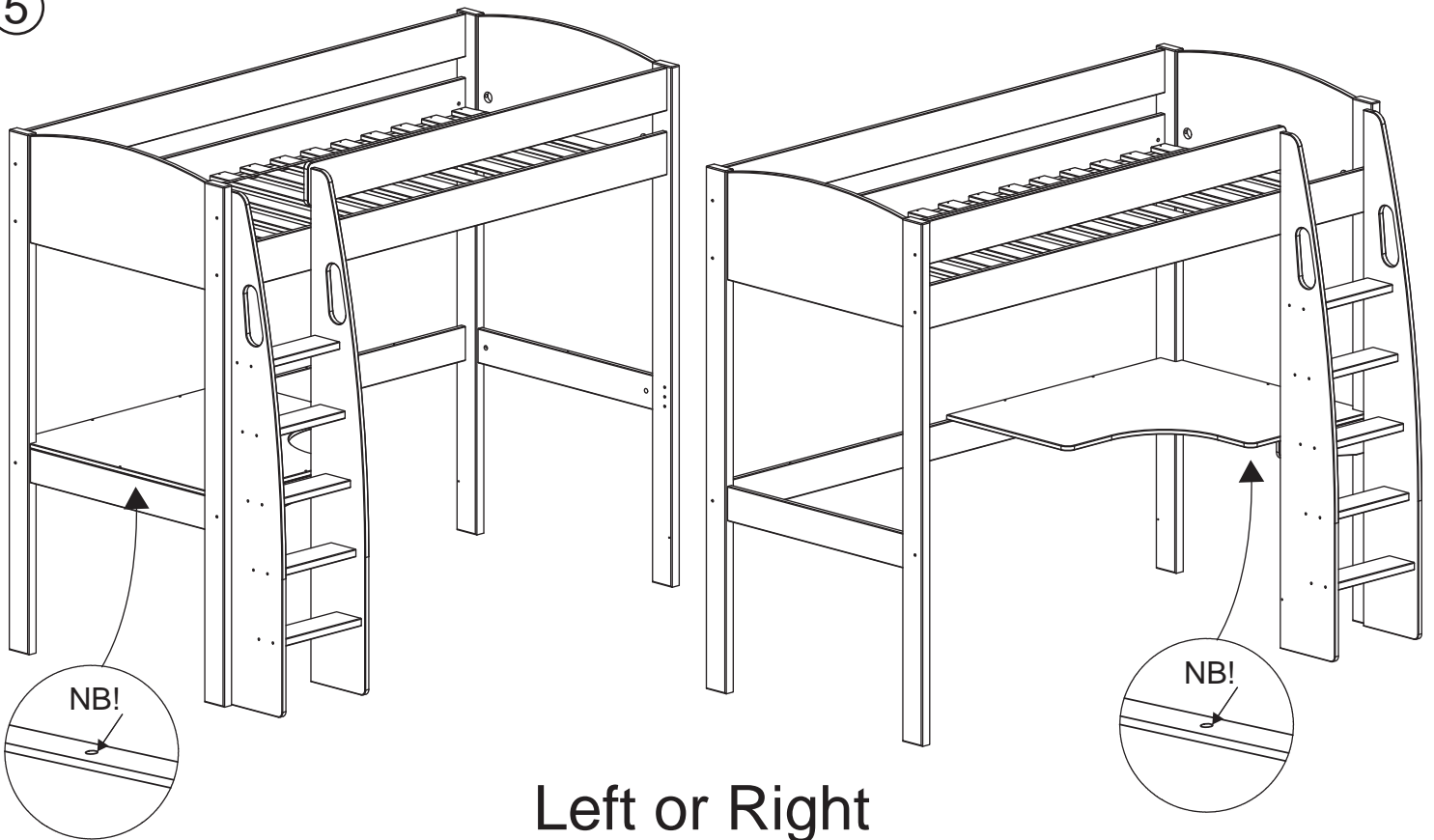
S  D15x12 Locking nut x 4

H  D=35 Sector x 4

L  D15x18 Cover Cap x 4

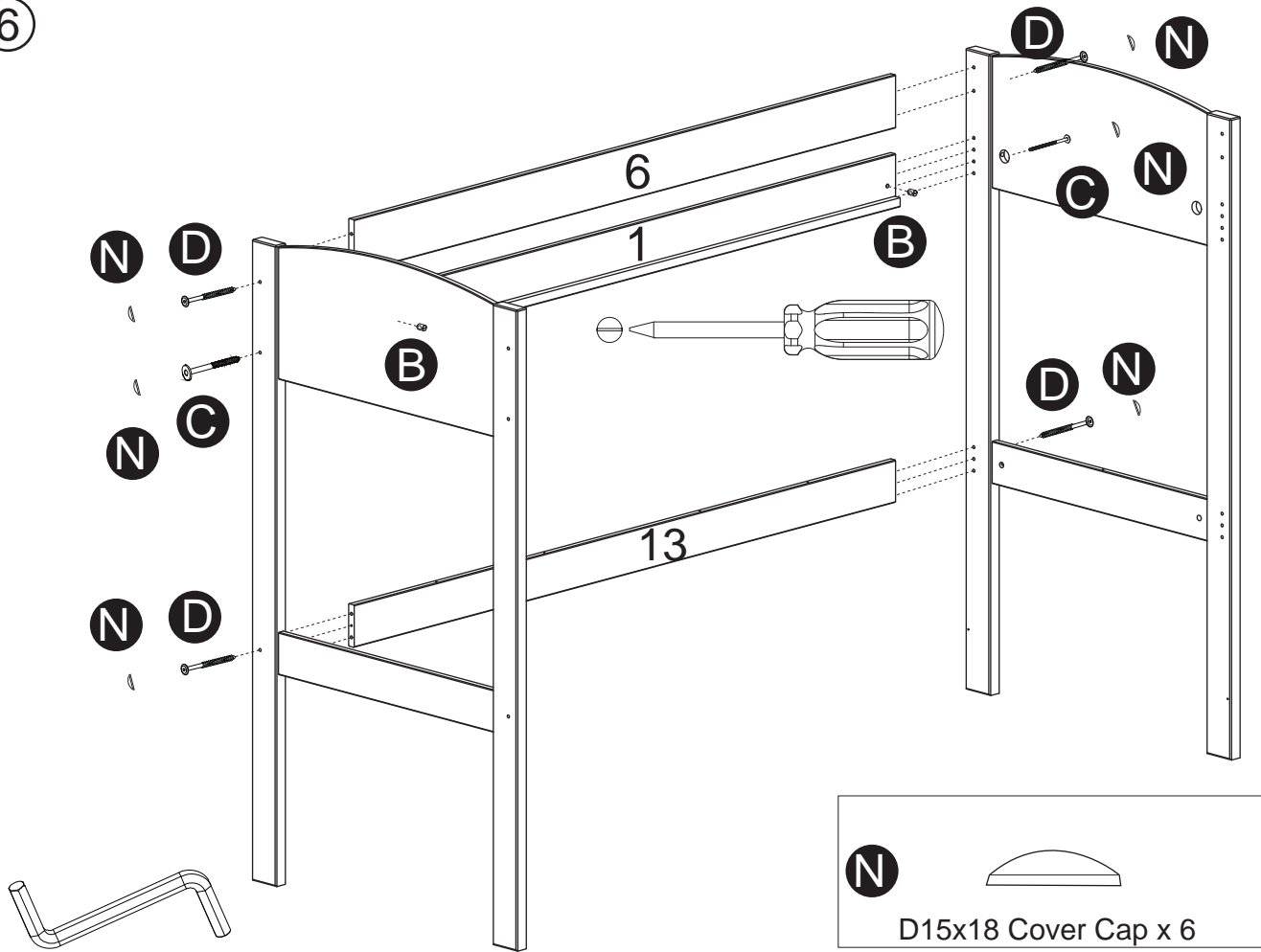
O  D35 Cover Cap x 4 8 of 14

5



Left or Right

6



N



D15x18 Cover Cap x 6

C



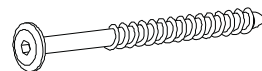
M6x75 Bolt x 2

B



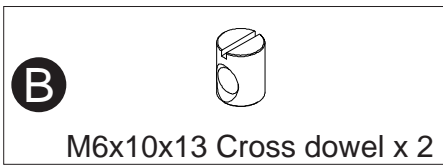
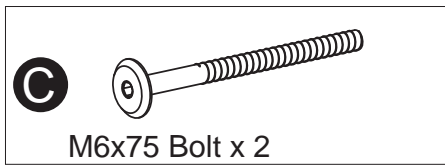
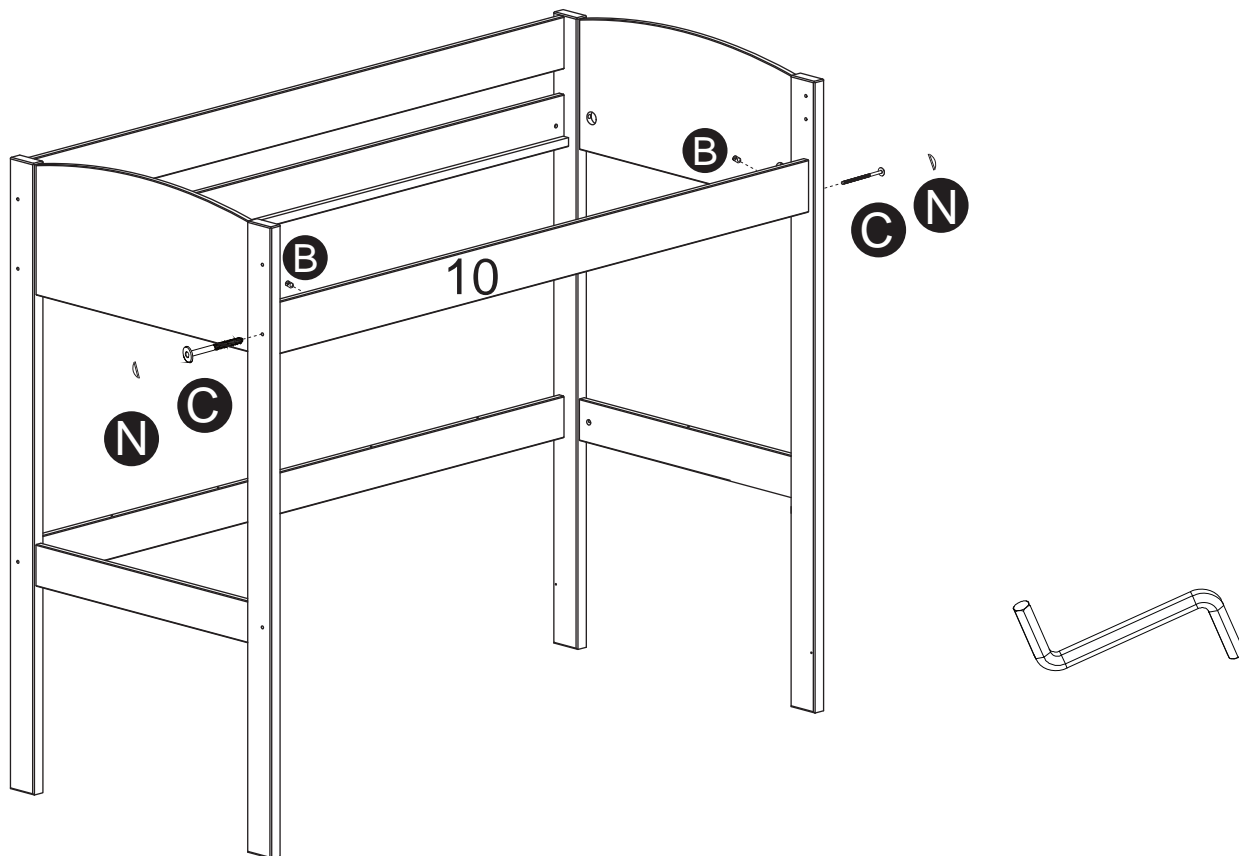
M6x10x13 Cross dowel x 2

D

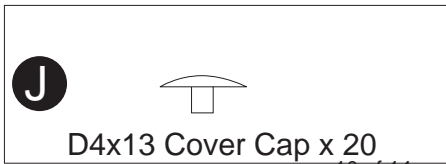
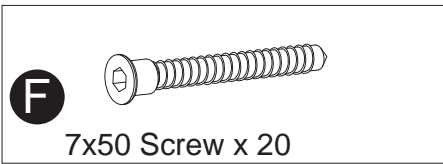
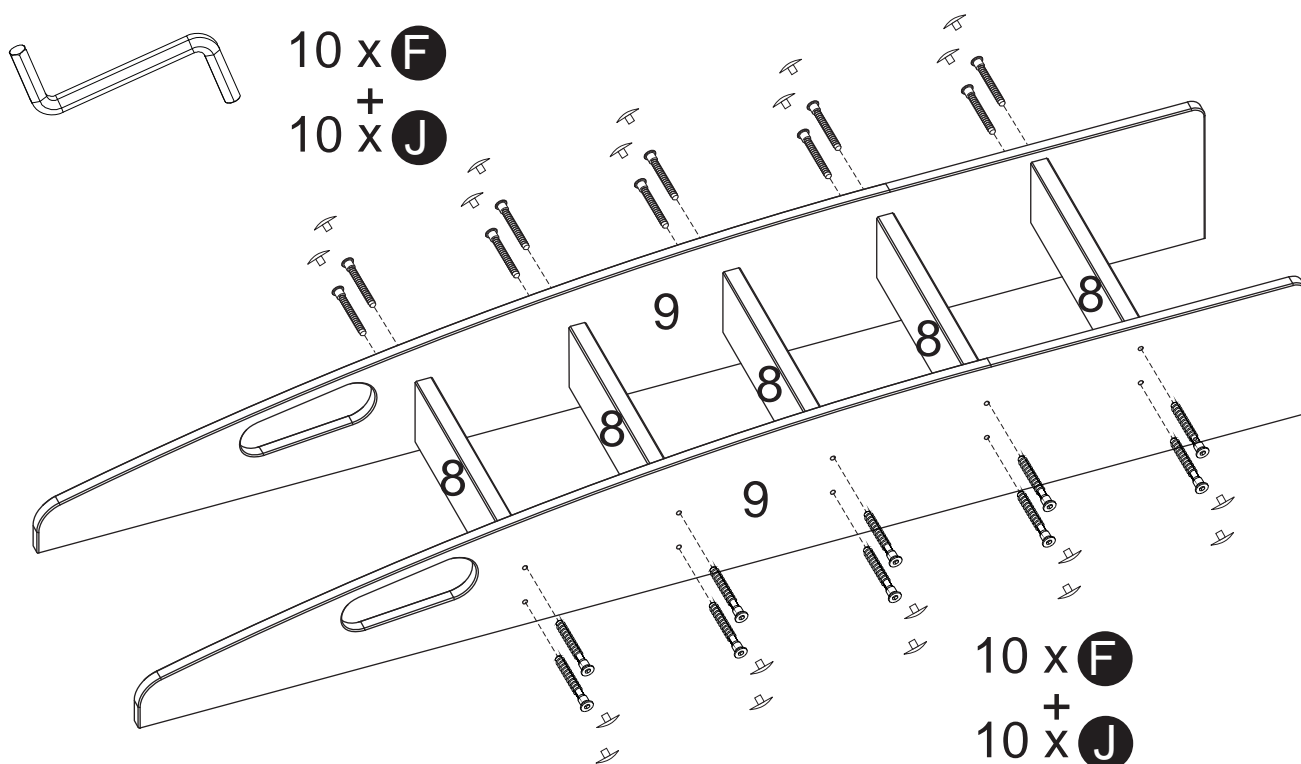


6,3x70 Screw x 4

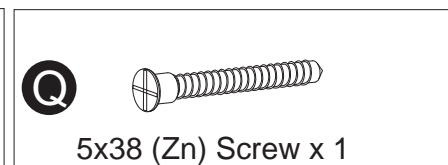
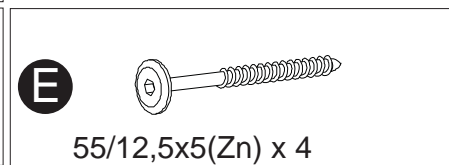
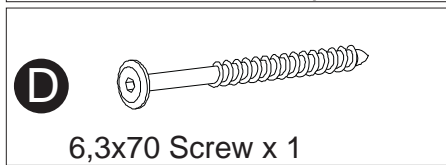
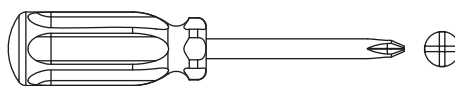
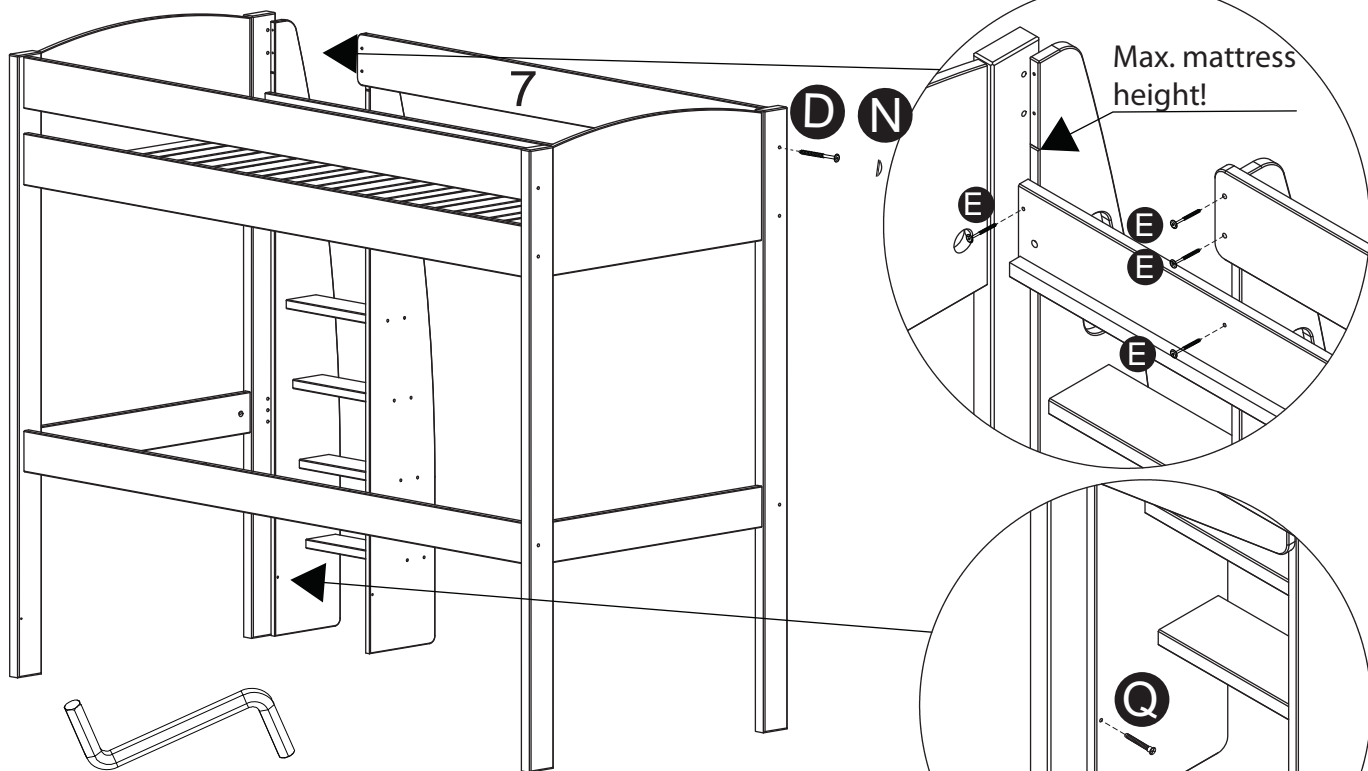
7



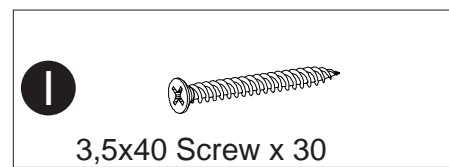
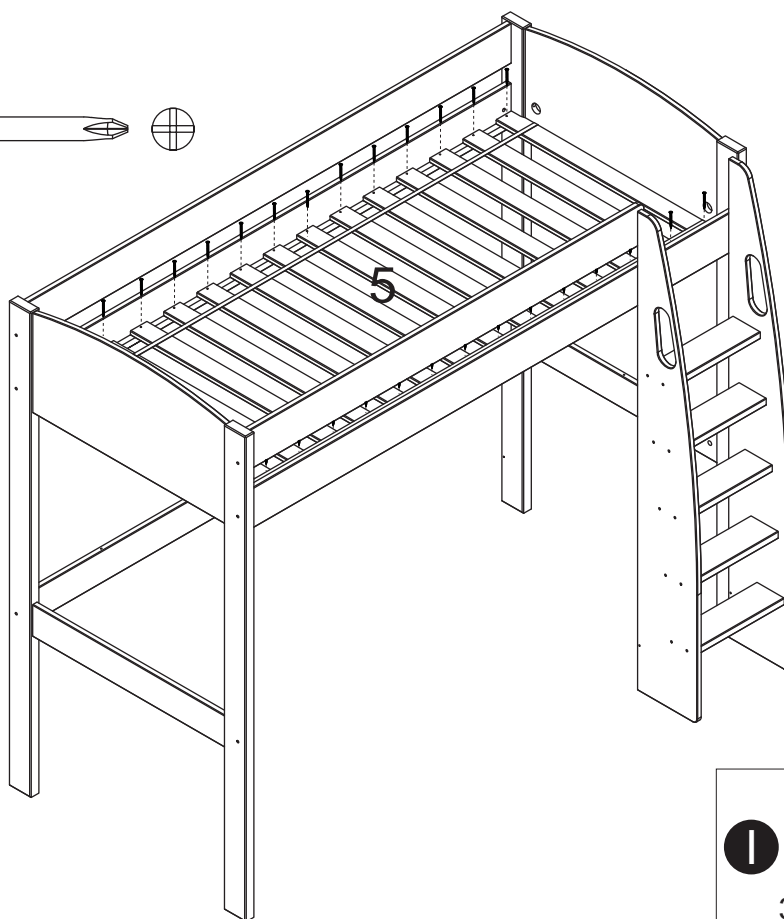
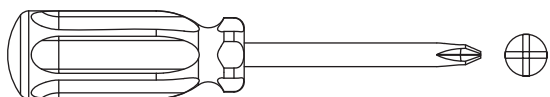
8



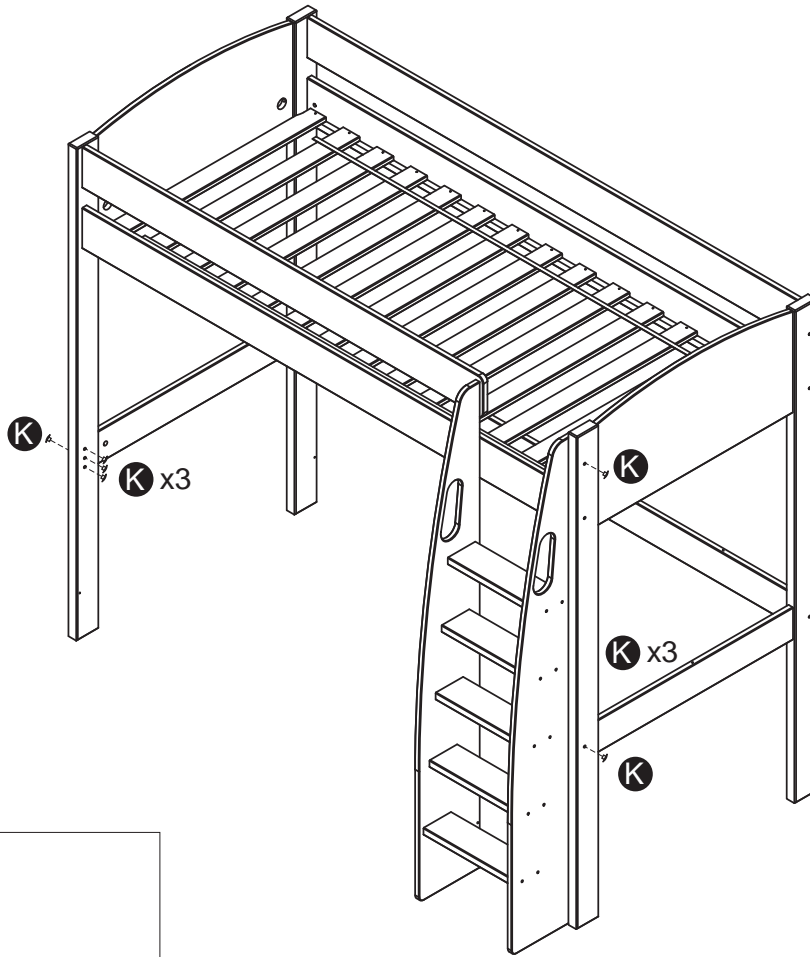
9



10



11



K



D8x13 Cover Cap x 11

Customer Notice

Dear Customer,

Congratulations on the recent purchase of your furniture!

Customer Service:

For missing or spare parts requests please contact us Monday to Friday – 10am to 3pm in one of the following ways:

Phone: 0844 8008475

Email: spares@stompa.com

Please inform: product, colour, where did you buy it, part no, quantity and reason for request. We need your full name, address and telephone number.

Fax: Please complete the enclosed Service Form and fax to 0560 1132071

By post: Please complete the enclosed Service Form and post to:

Nordika Design Ltd t/a Stompa
High Rigg
Panorama Drive
Ilkley, LS29 9RA

We will do our utmost to supply spare parts within 7-10 working days of receipt of request.

Our quality control team has ensured a high quality product that we are sure you will be pleased with. All our furniture is produced from solid wood which contains knots and may have surface defects which are a feature of a natural product.

Customer Service Form

Please return complete to

Fax: 0560 1132071

Name: _____

Address: _____

Contact No: _____

Date of purchase: _____

Place of purchase: _____

Product Name: _____

See assembly instructions

Problem _____

Parts Needed:	<u>Part No.</u>	<u>Quantity</u>	Description
Please quote assembly instruction letter or number	_____	_____	e.g drawer base
	_____	_____	_____
	_____	_____	_____
	_____	_____	_____
	_____	_____	_____