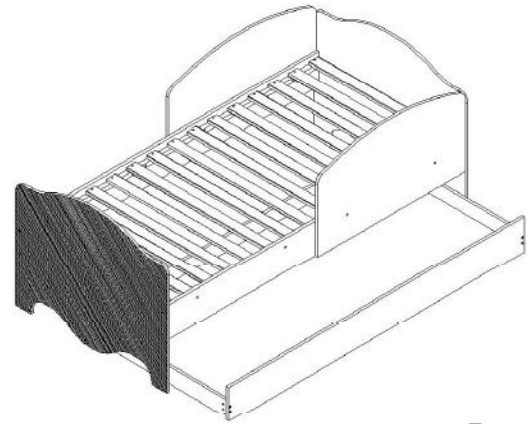
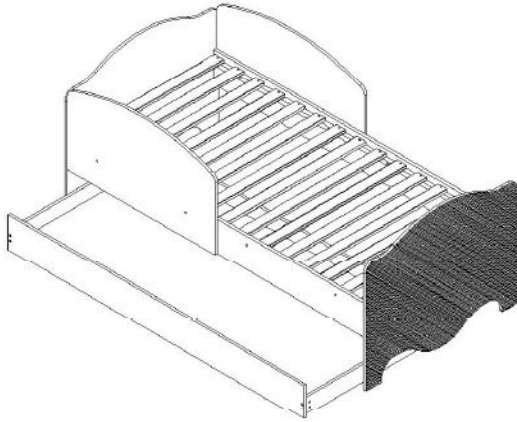


Model : MG 7613

Product Size : 920mm x 1930mm (Base Int Size)

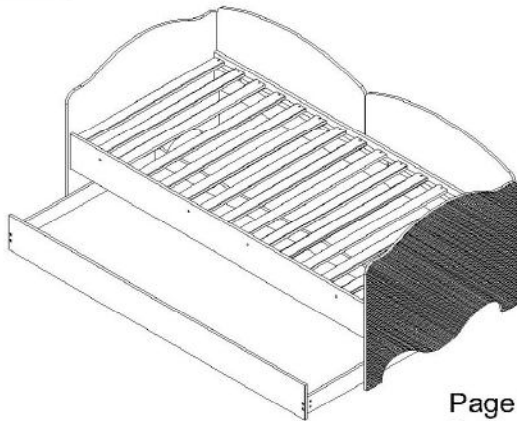
Thank you for purchasing this product. Before starting assembly we suggest you spend a short time reading through this leaflet, then follow the simple step by step guide. Two people are needed to assemble this product.

Option A



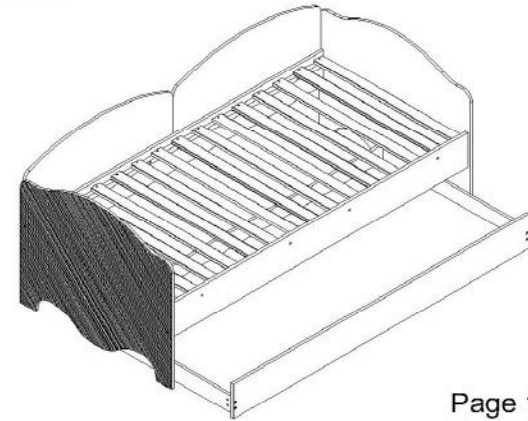
Page 1 - 12

Option B



Page 1 - 9
Page 13 - 15

Option C



Page 1 - 9
Page 16 - 18

TOP TIPS BEFORE YOU START !

IMPORTANT- READ CAREFULLY- RETAIN FOR FUTURE REFERENCE

1. Please check that all parts & hardware are present before you start the assembly of your furniture.
2. For ease and speed of assembly, we recommend that before you commence each step of the assembly, Please identify all the parts required for that step.
3. We recommend that where possible, all items are assembled near to the area in which they will be placed in use, to Avoid moving the product unnecessarily once assembled.
4. For the protection of your furniture, particularly items of high gloss finish, we recommend that the product is placed on a Protected surface during assembly to prevent any damage.
5. During assembly please take care not to over-tighten any fittings, as this may damage the product.

CARE AND MAINTENANCE OF YOUR FURNITURE

- Please periodically check all fittings and re-tighten as necessary.
- To clean your item, please use a damp cloth and wipe clean.
- Never allow any kind of liquid to remain on your furniture. Absorption can cause wood to warp or finishes to de-laminate.
- Please do not place hot items (e.g hot drinks) directly on the wood surface.
- Please do not drag or pull your furniture.

IMPORTANT INFORMATION

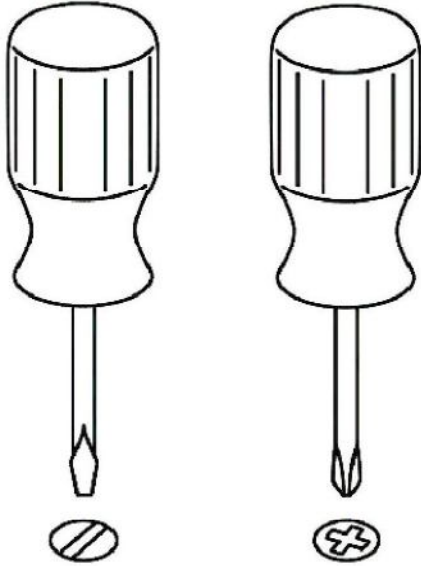
1. Thickness of mattress should not exceed 150mm.
2. Children should be discouraged from playing on top of this bunk bed.
3. The bunk bed should be checked periodically by the owner to ensure that the guardrail, ladder, and other components are maintained in the correct position and state of repair and that all connectors are tight.

Guide To Assembly

Model : MG 7613

Tools Required For Assembly

Phillips Screw Driver



DO NOT USE POWER TOOLS TO ASSEMBLE THIS PRODUCT. USE OF POWER TOOLS WILL INVALIDATE ANY CLAIM AND MAY DAMAGE THIS PRODUCT MAKING IT UNSAFE.

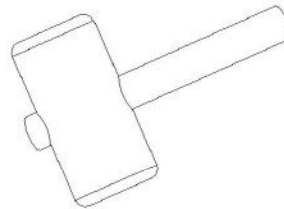


Approximately 1 hour 30 min

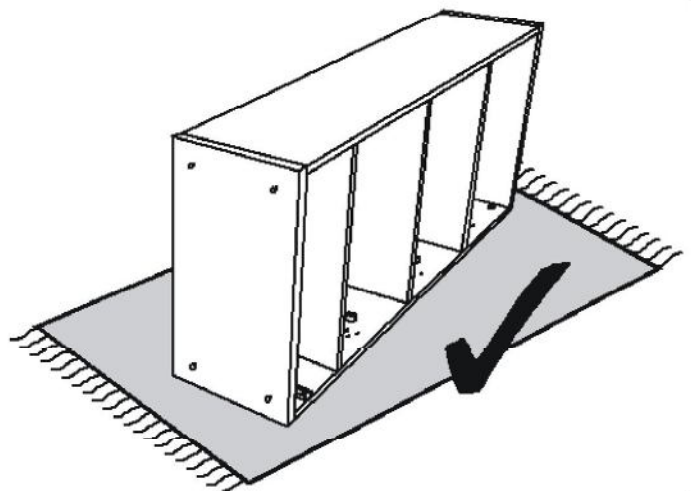
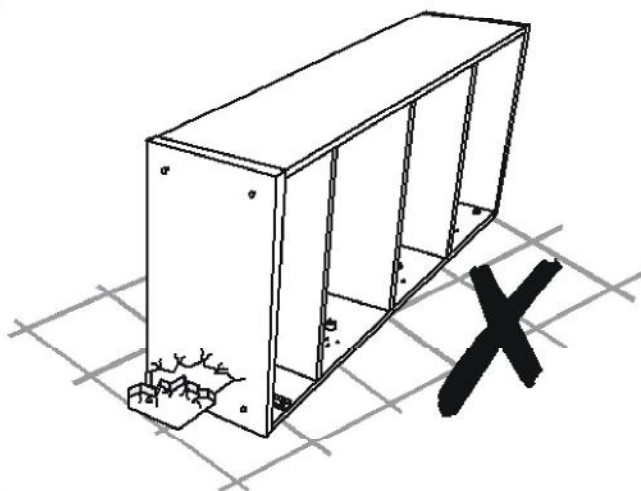
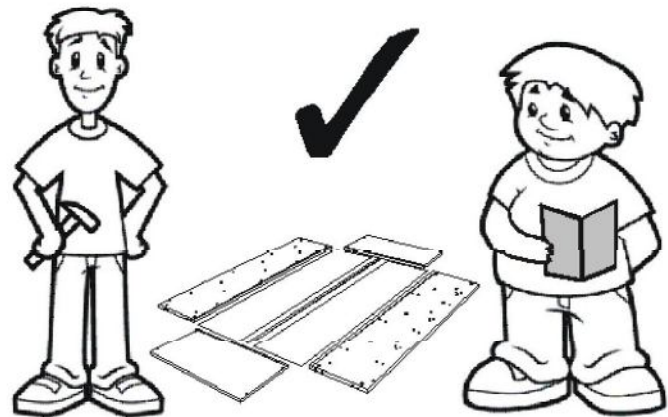
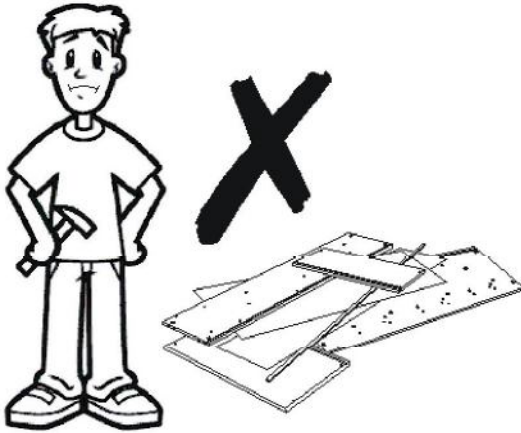
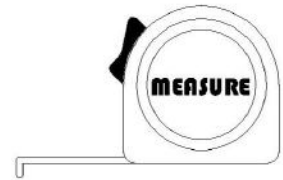


2 People Required

Rubber Hammer



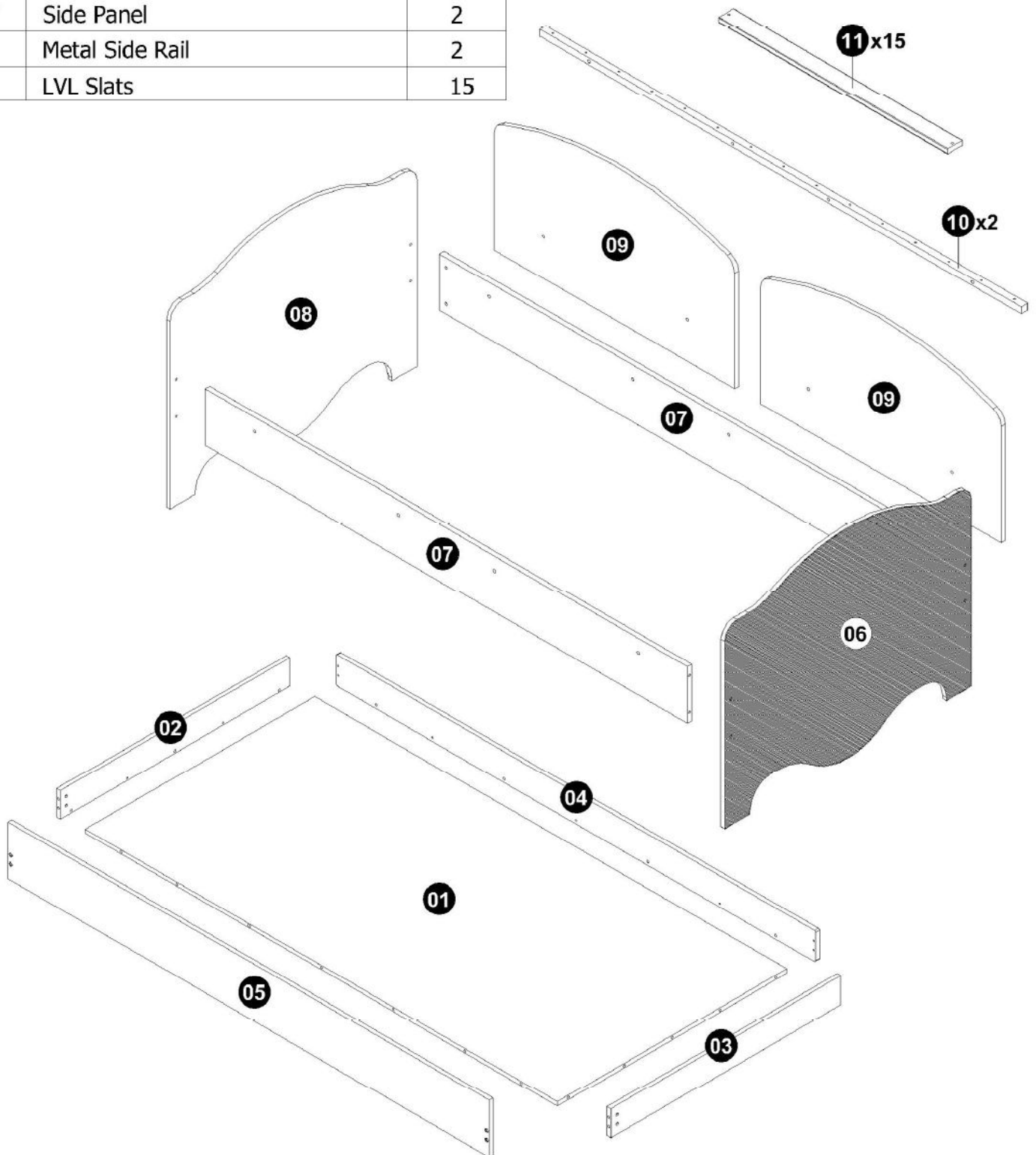
Tape Measure



Part List

Model : MG 7613

Carton 1 of 3			Carton 3 of 3		
No.	Part Name	Pcs	No.	Part Name	Pcs
06	Footboard	1	01	Bottom Panel (Trundle)	1
08	Headboard	1	02	Left Panel (Trundle)	1
09	Support Panel	2	03	Right Panel (Trundle)	1
Assembly Instructions + Fitting List			04	Back Panel (Trundle)	1
			05	Front Panel (Trundle)	1
Carton 2 of 3					
07	Side Panel	2			
10	Metal Side Rail	2			
11	LVL Slats	15			



Fitting List

Model : MG 7613

Carton 1 of 3

Fitting List

No.	Part Name		Pcs
A	Cam Stud (small)		10
B	Cam		10
C	M8 x 25mm Wood Dowel		14
D	45mm Chipboard Screw		4
E	16mm Chipboard Screw		10
F	40mm White Nylon Castor		5
G	M6 x 13mm Baller		8
H	M6 Round Nut		4
J	M6 x 50mm Allen Bolt (black)		4
K	M6 x 50mm Allen Bolt		12
L	M6 x 35mm Allen Bolt		4
M	M6 x 30mm Allen Bolt		30
N	M6 JCN Nut		8
P	M6 Allen Wrench		2
Q	Felt Pads (45 x 14mm)		4
R	Sticker		4

Caution

There are many small components used in the construction of this unit. These loose items should be kept away from young children whilst assembling your unit. As an extra precaution, screw cover caps should be permanently fixed in position. (Where applicable)

USEFUL HINTS & TIPS

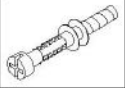
Two people will be required to assemble this unit

Please keep this assembly instruction for future reference

Guide To Assembly

Model : MG 7613

1



A x 10



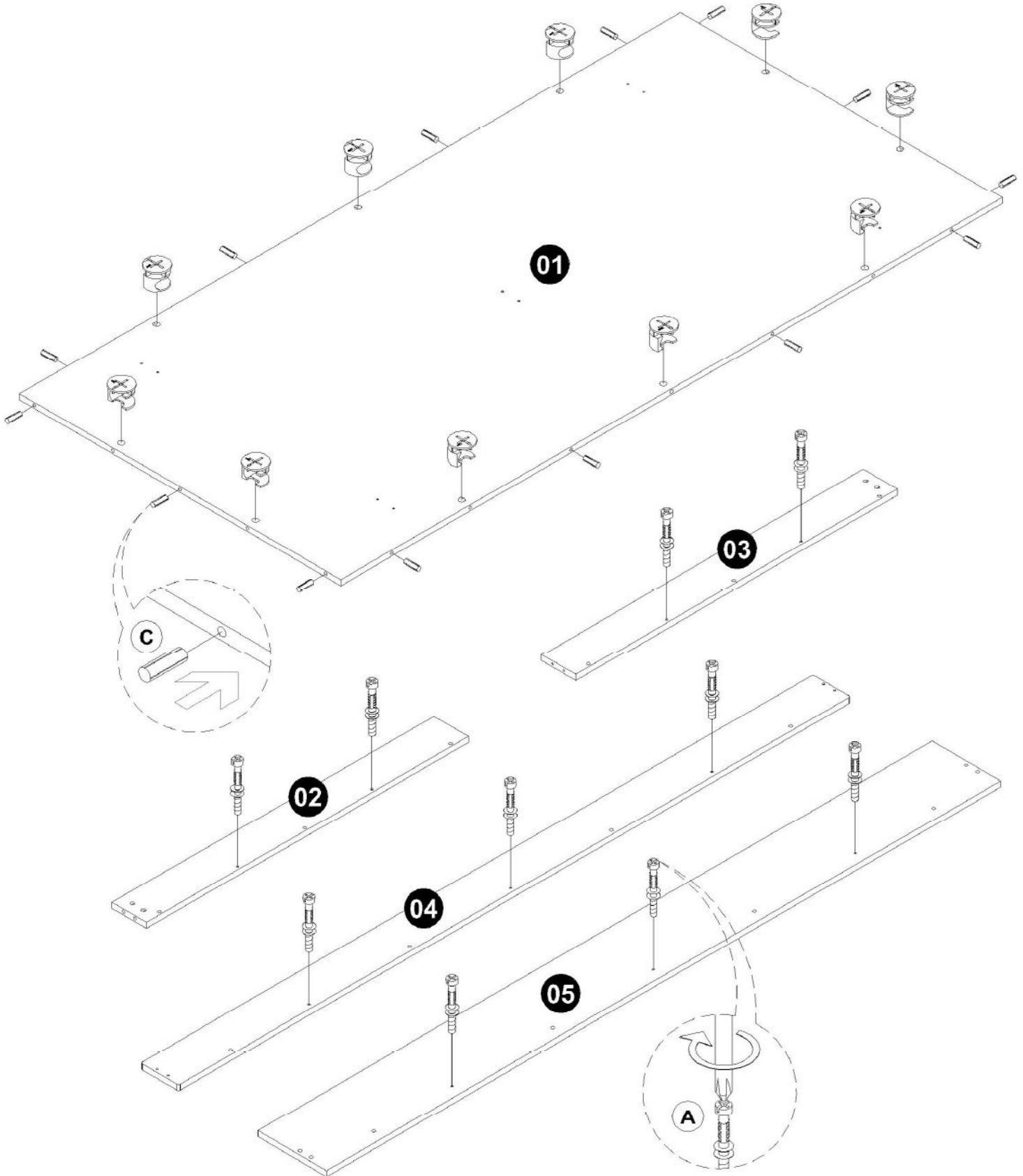
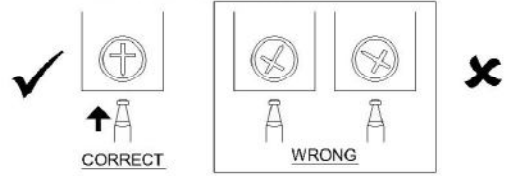
B x 10



C x 14

WHEN FITTING CAMS

ENSURE STARTING POSITION IS CORRECT
BEFORE YOU INSERT CONNECTING BOLT
TURN CLOCKWISE UNTIL SECURE



Guide To Assembly

Model : MG 7613

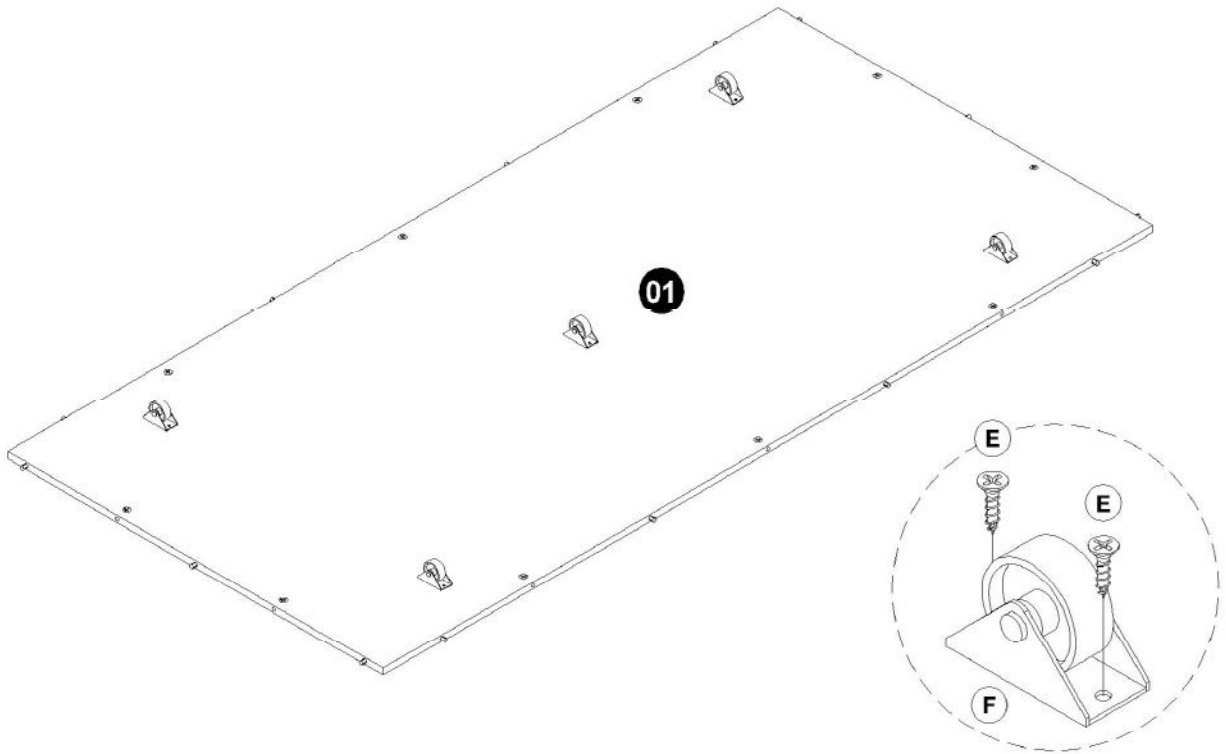
2



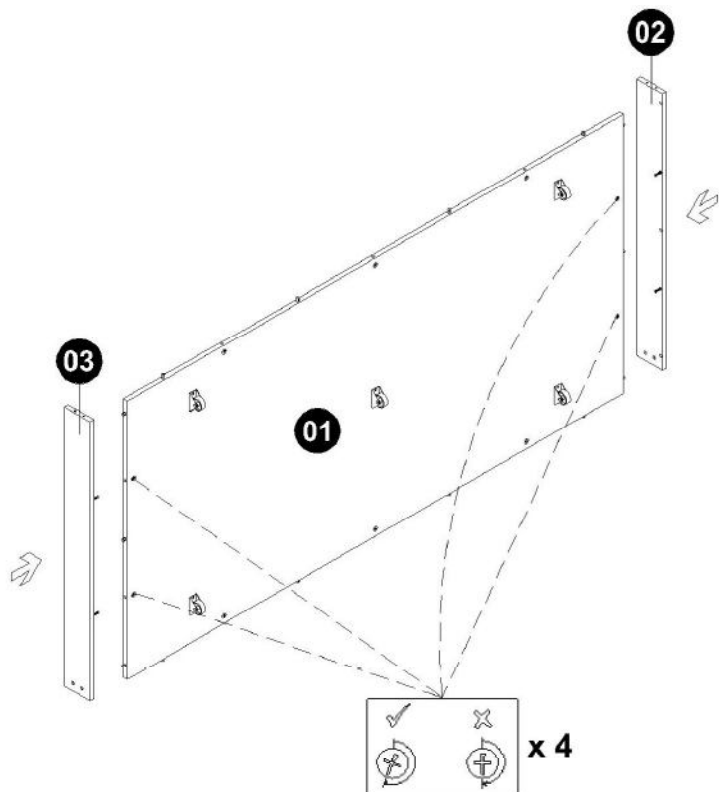
E x 10



F x 5



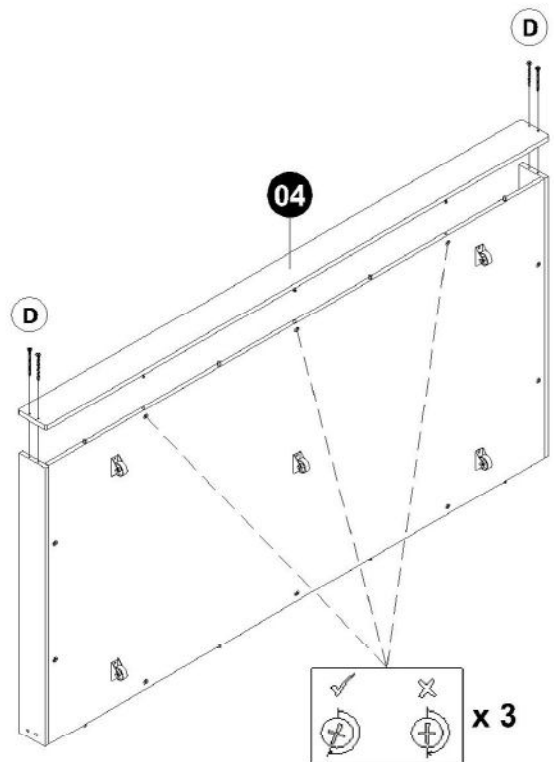
3



4



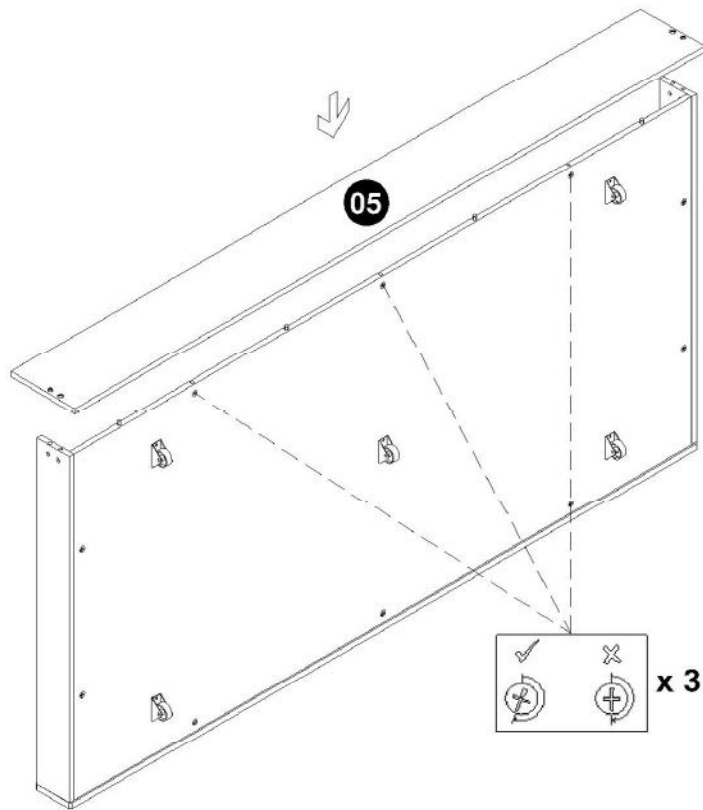
D x 4



Guide To Assembly

Model : MG 7613

5



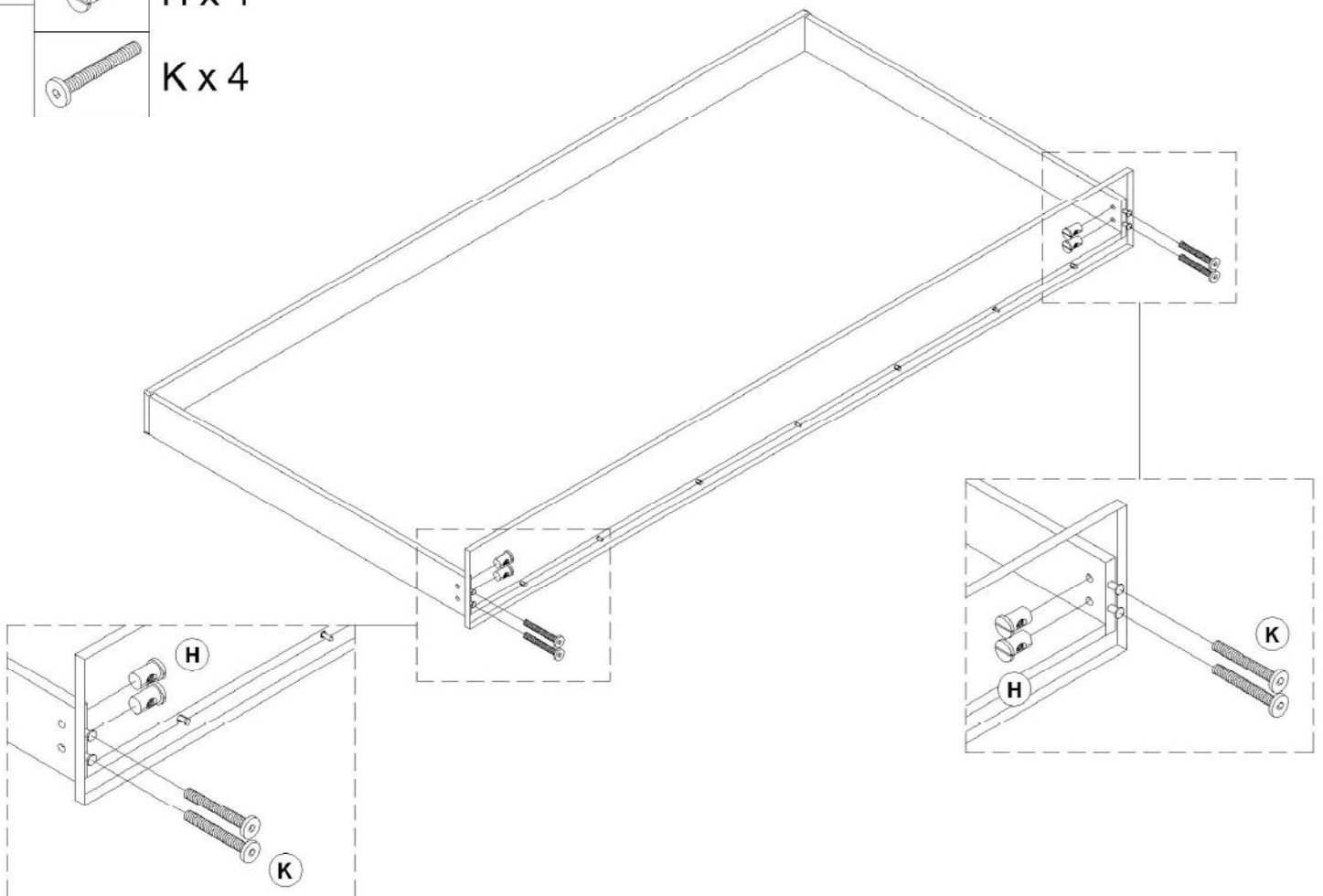
6



H x 4



K x 4



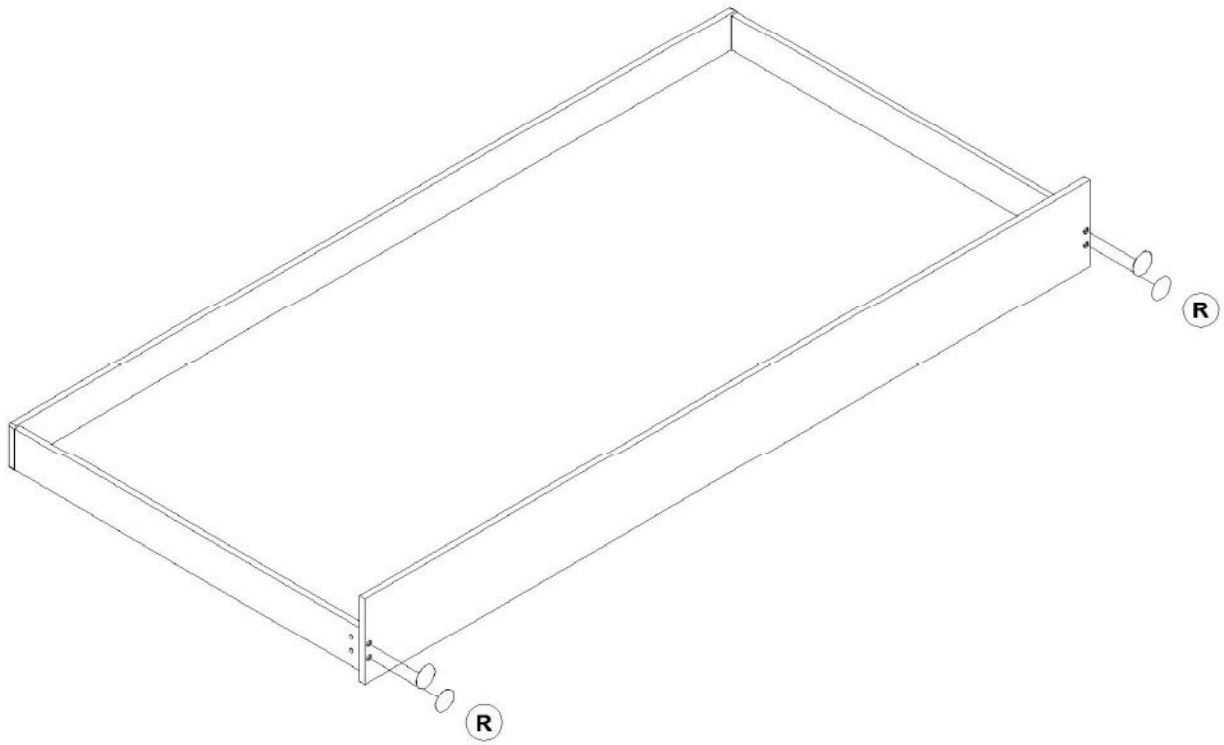
Guide To Assembly

Model : MG 7613

7



R x 4



8



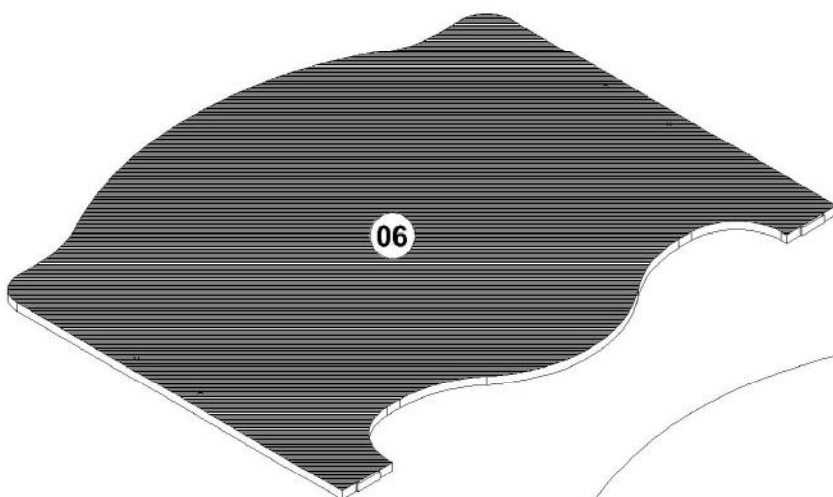
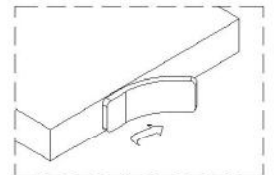
Q x 4

Part 06 , 08

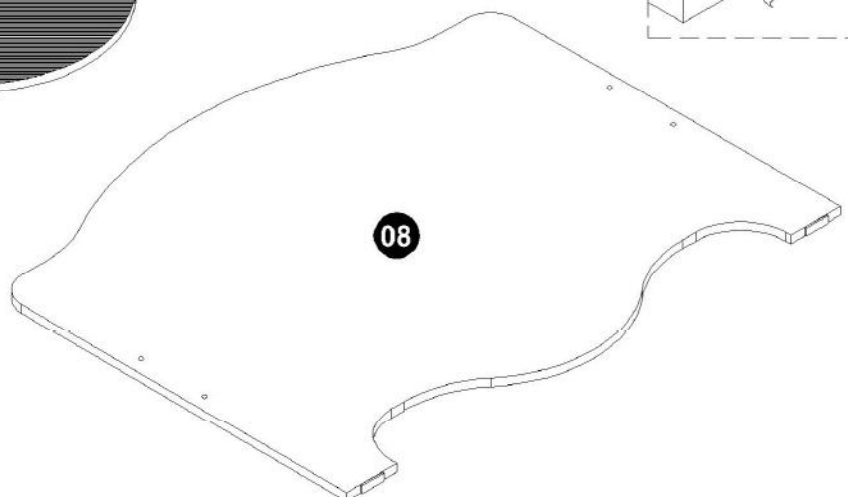
Q

27mm

27mm



06



08

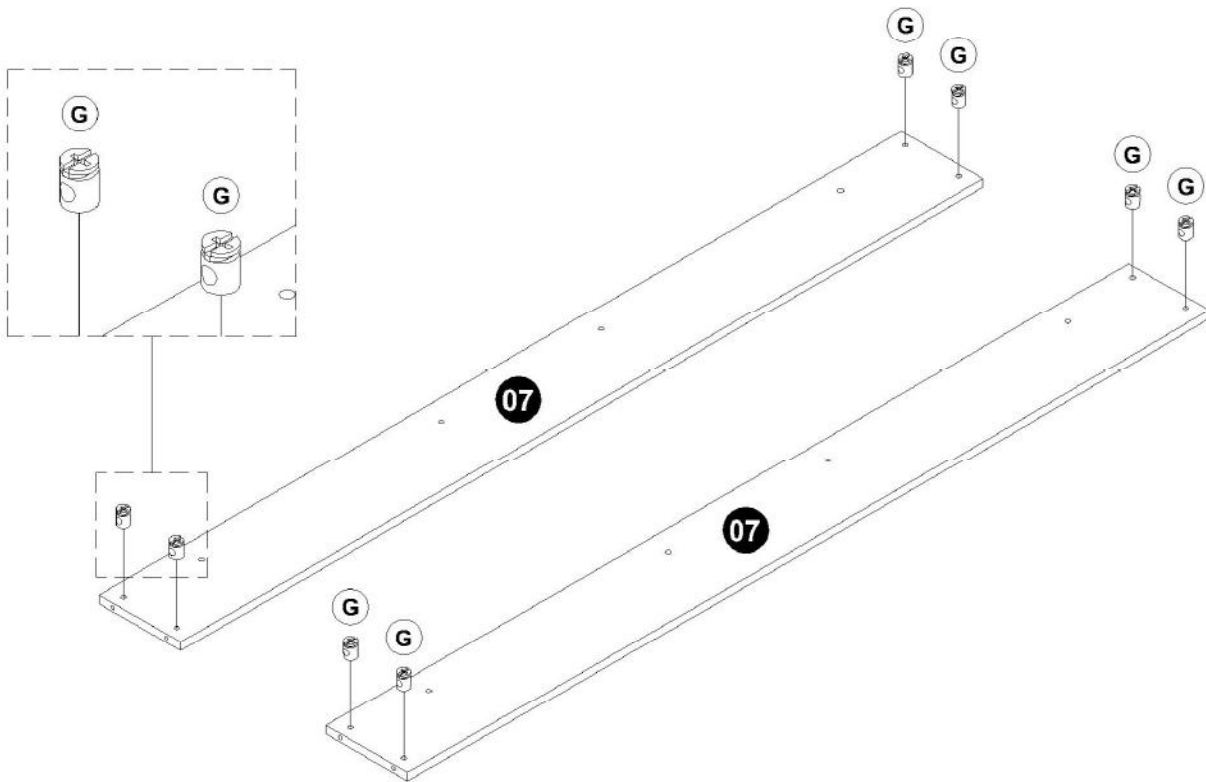
Guide To Assembly

Model : MG 7613

9



G x 8



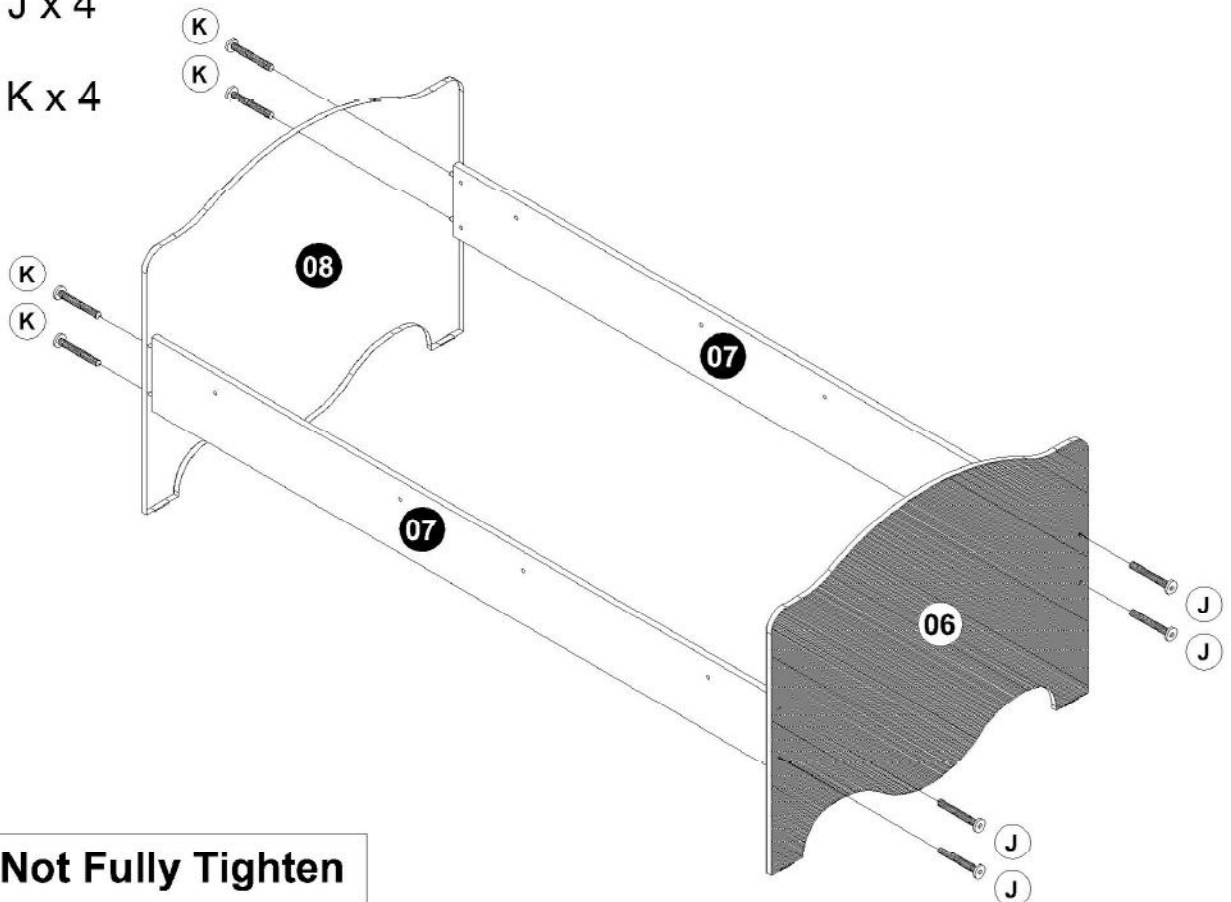
10



J x 4



K x 4






Do Not Fully Tighten

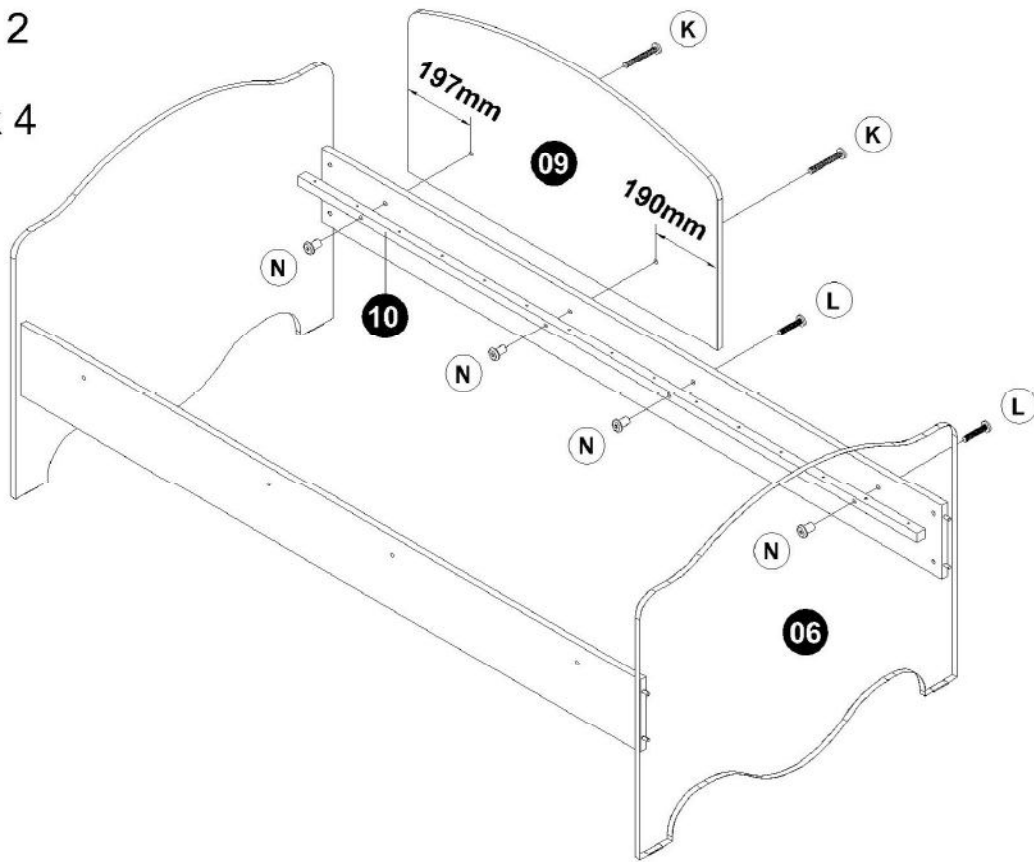
Guide To Assembly

Model : MG 7613




Option A

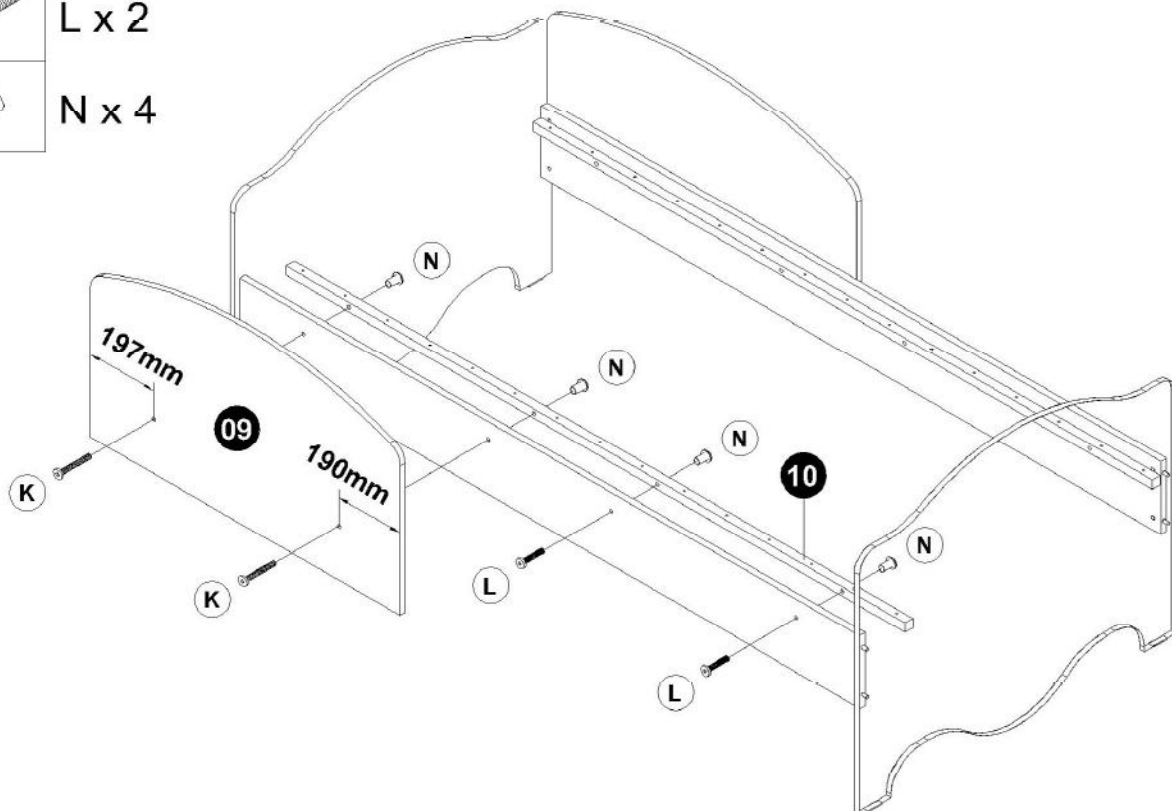
11

-  K x 2
-  L x 2
-  N x 4



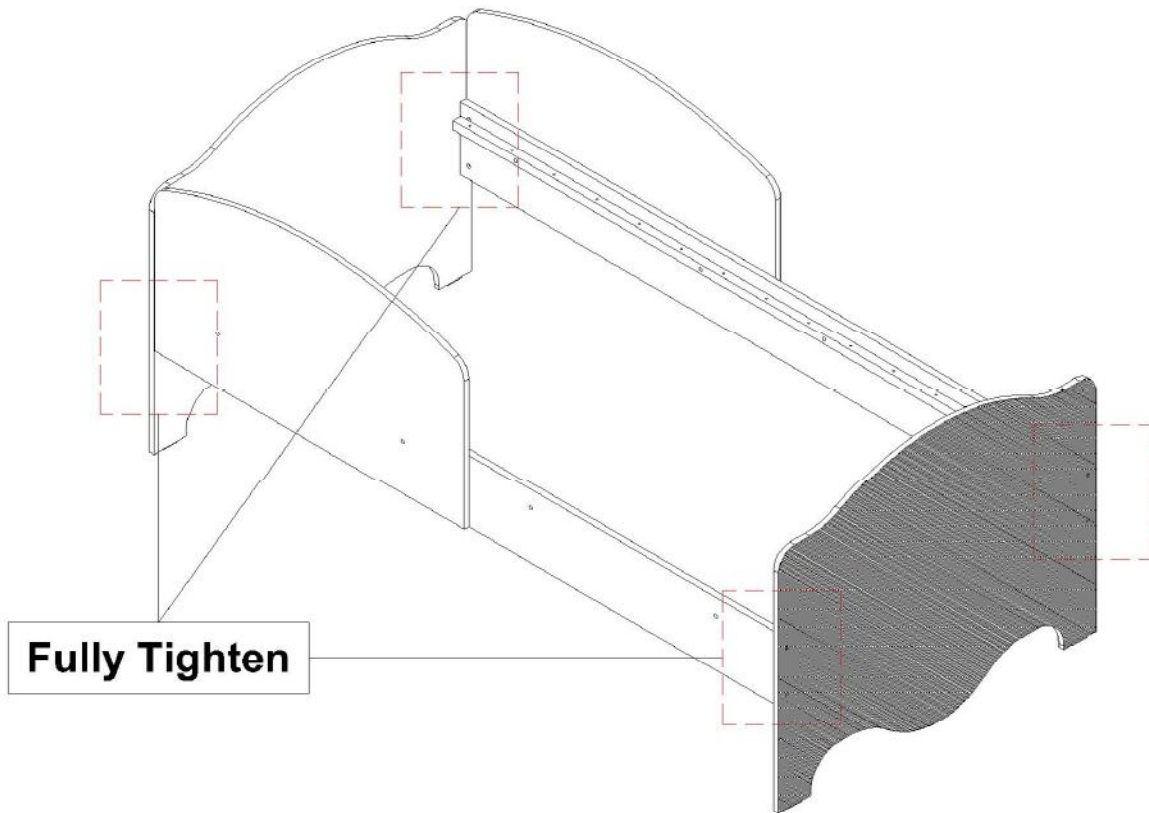
12

-  K x 2
-  L x 2
-  N x 4



13

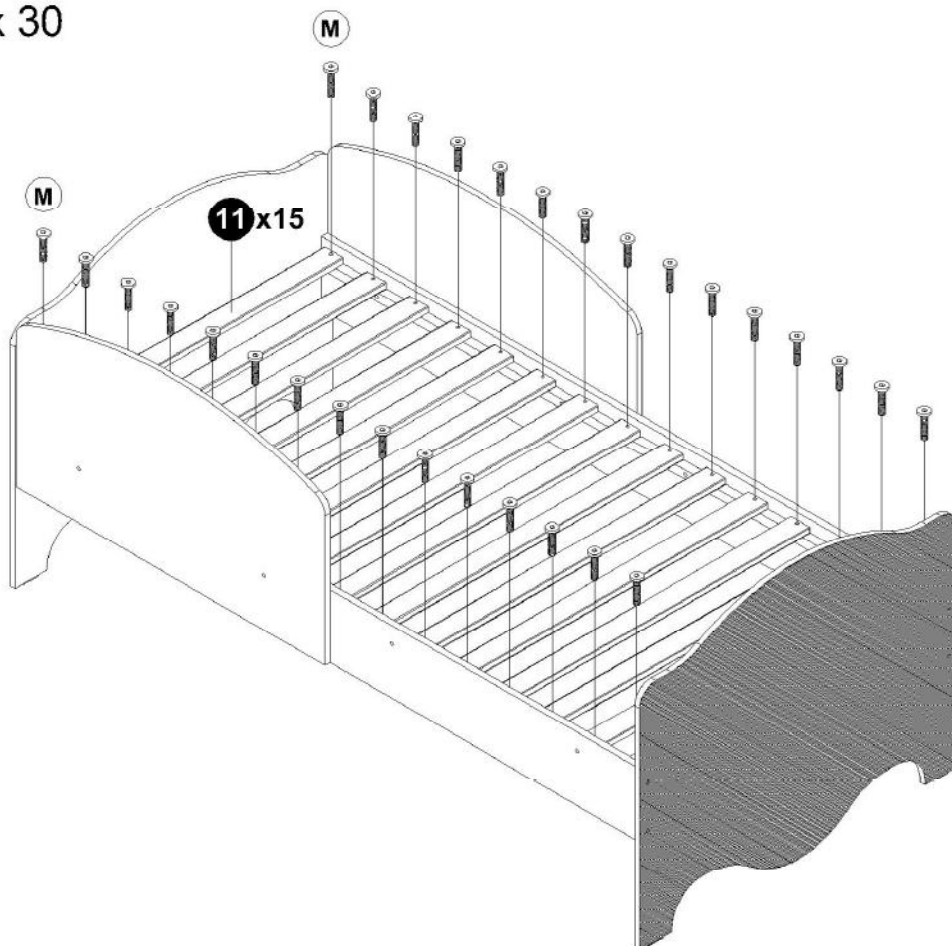
Option A



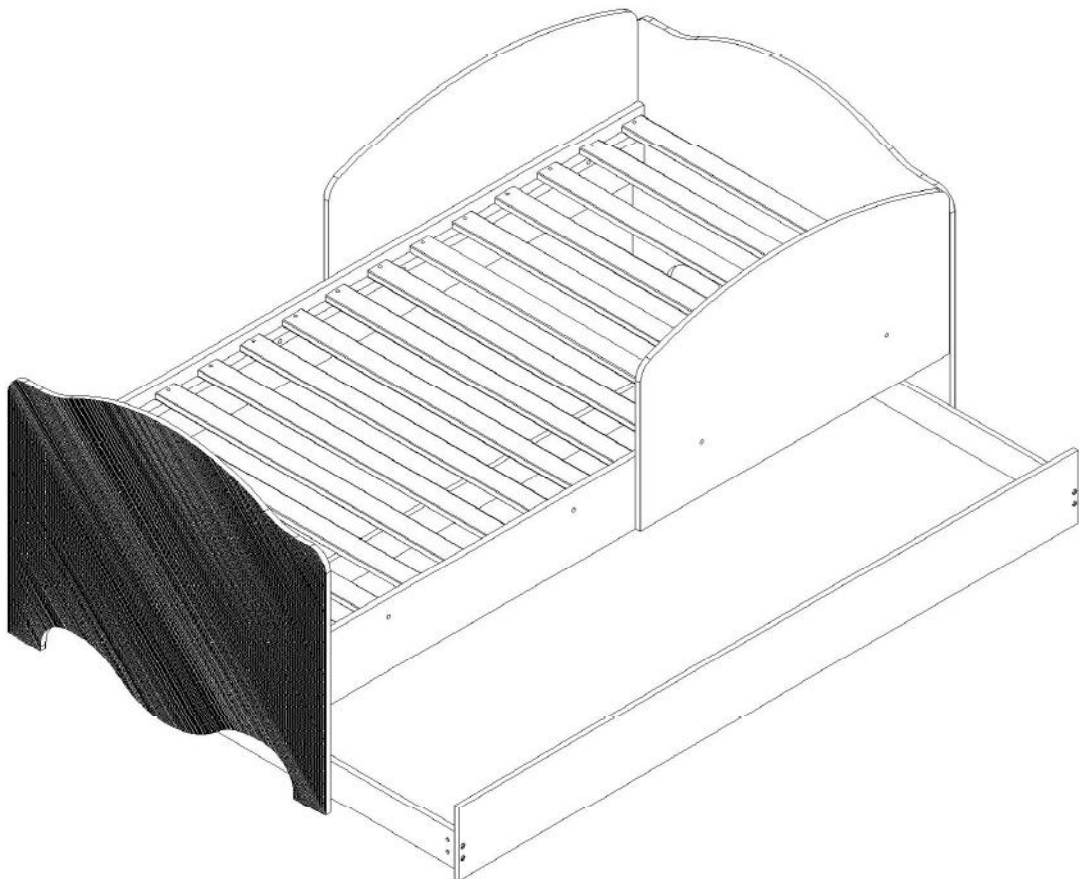
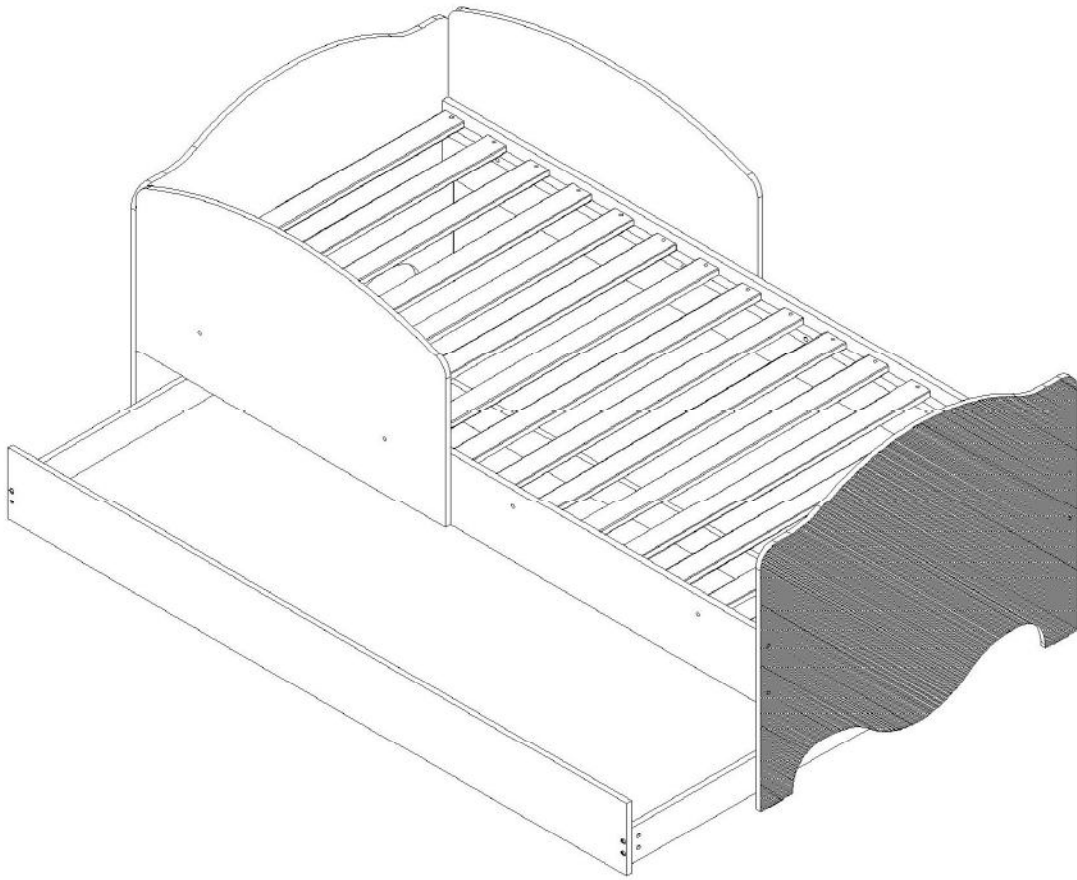
14



M x 30



Option A

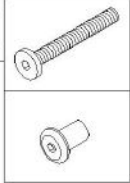


Guide To Assembly

Model : MG 7613

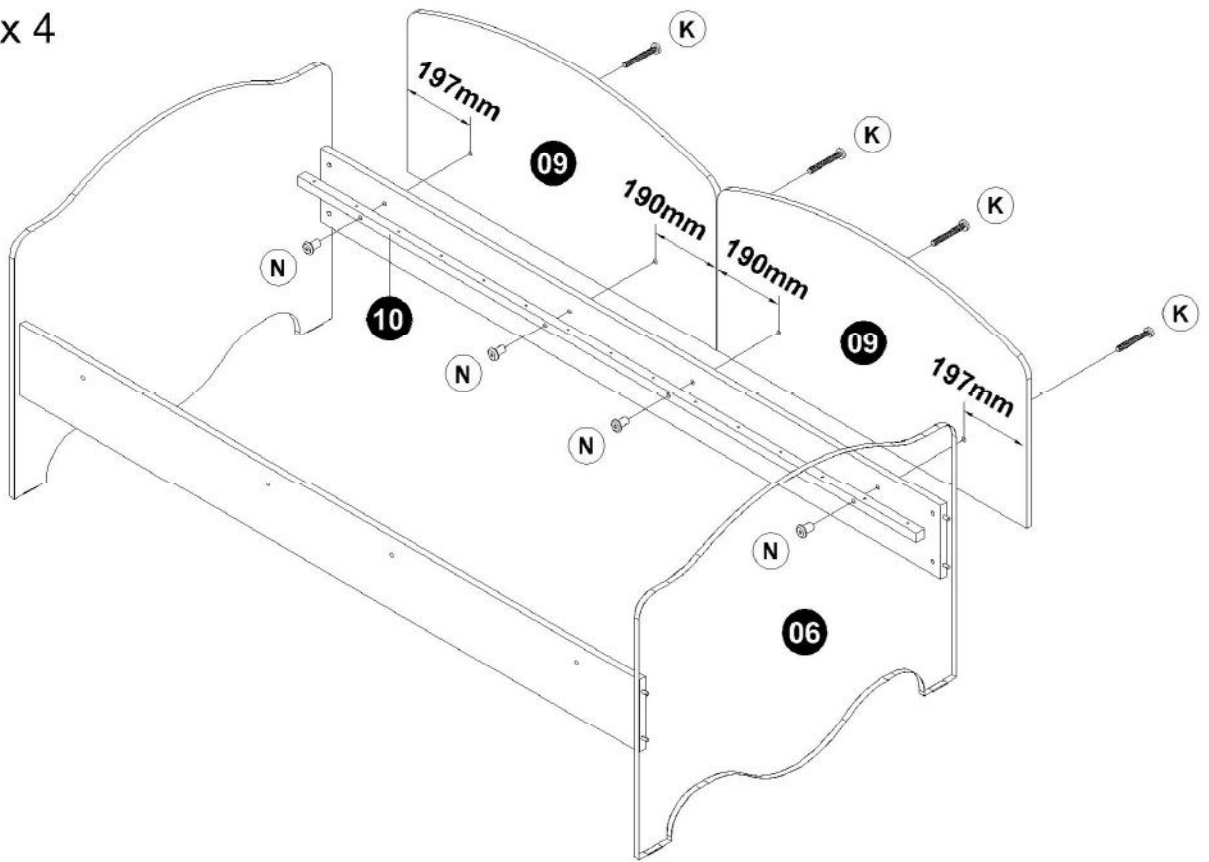
Option B

11

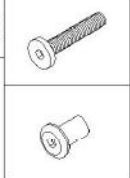


K x 4

N x 4

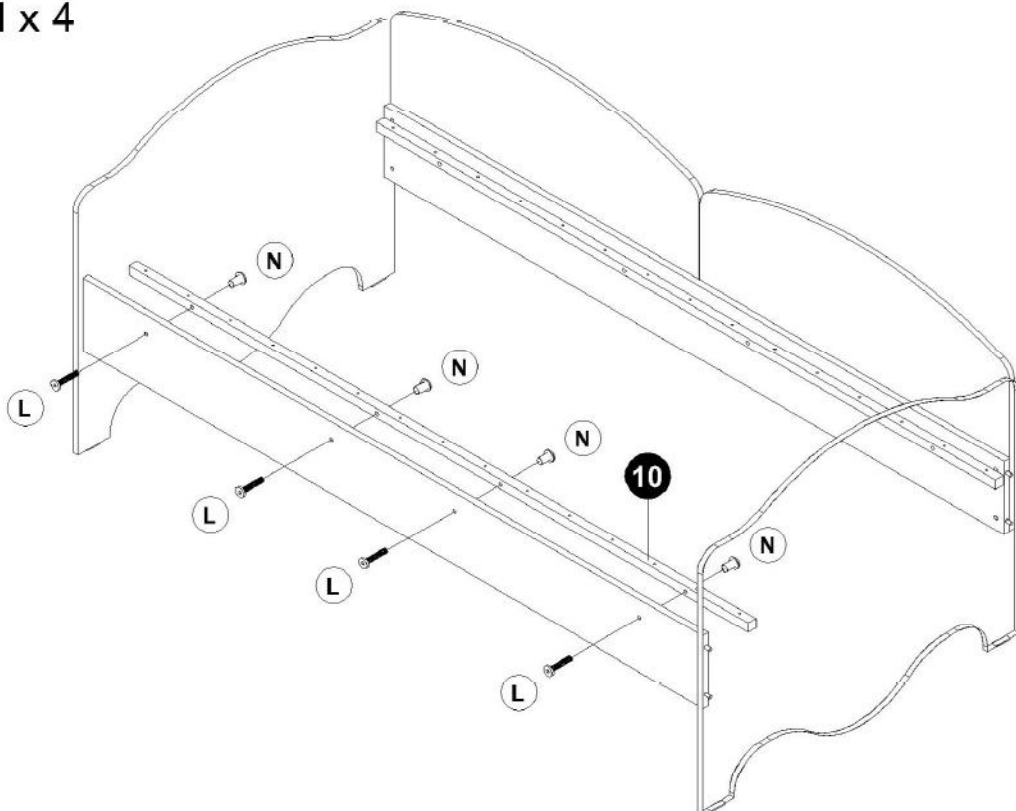


12



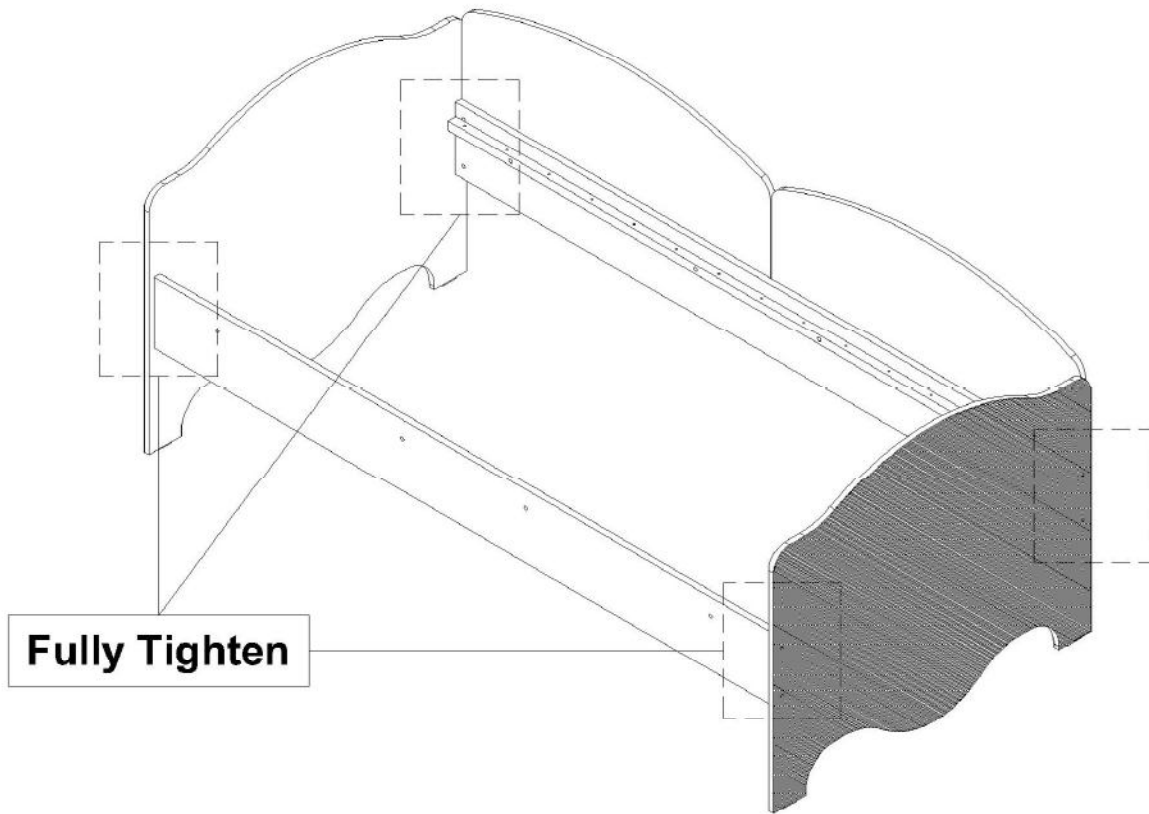
L x 4

N x 4



13

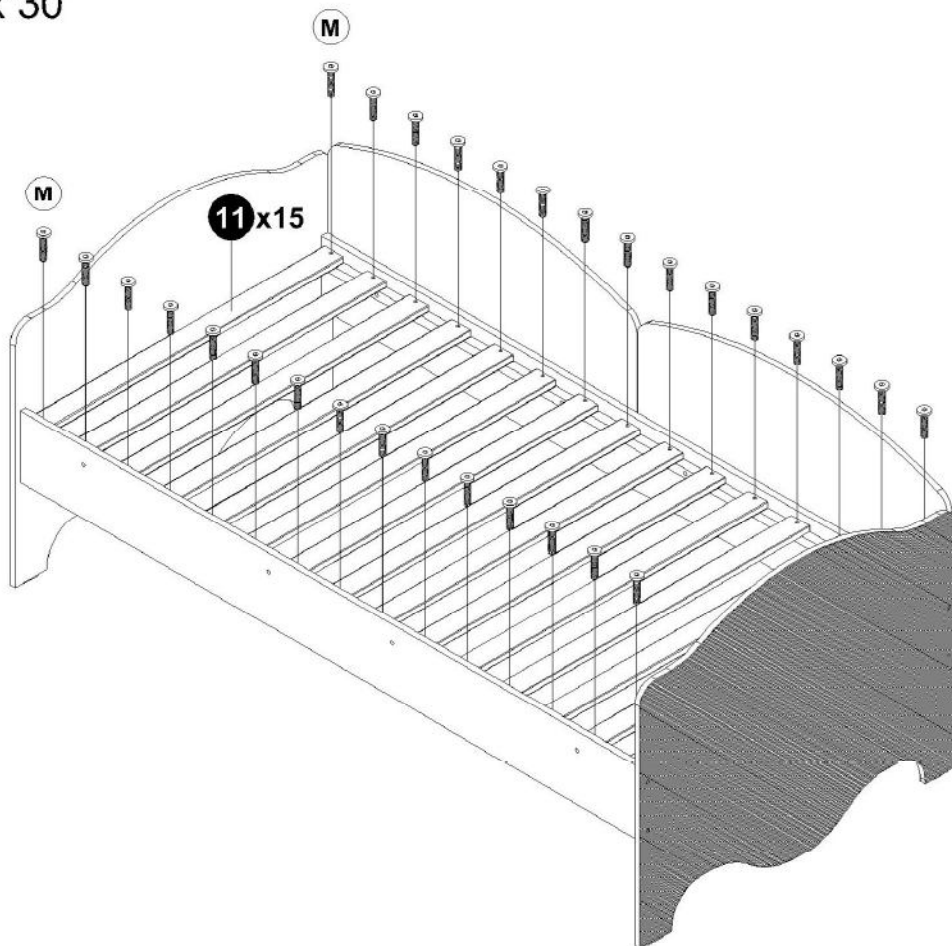
Option B



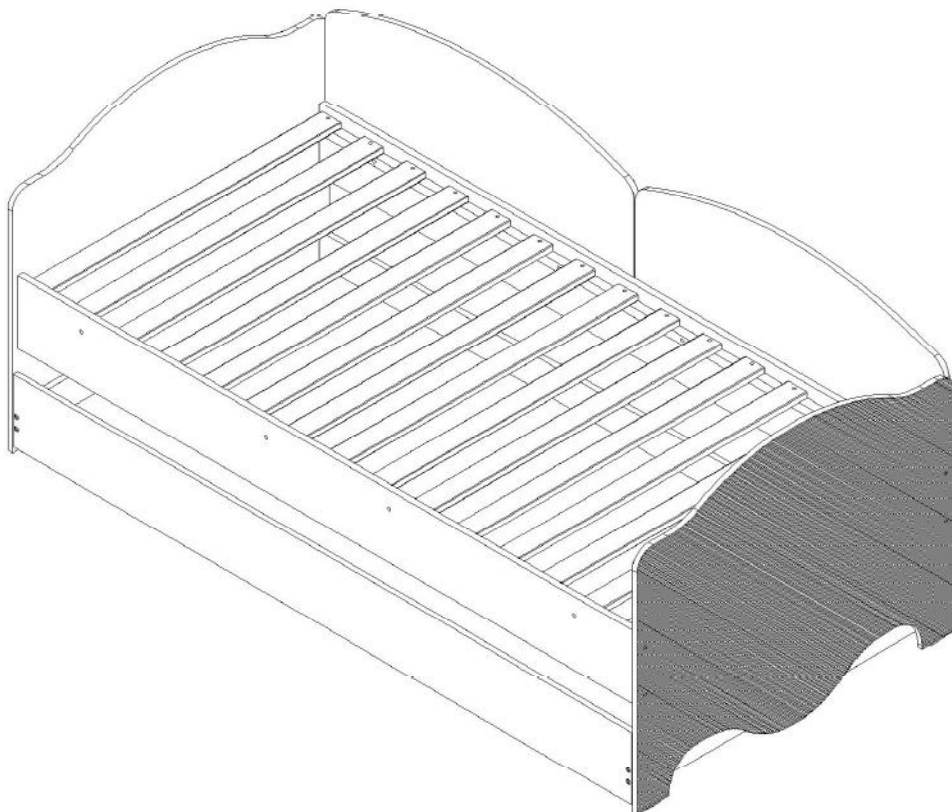
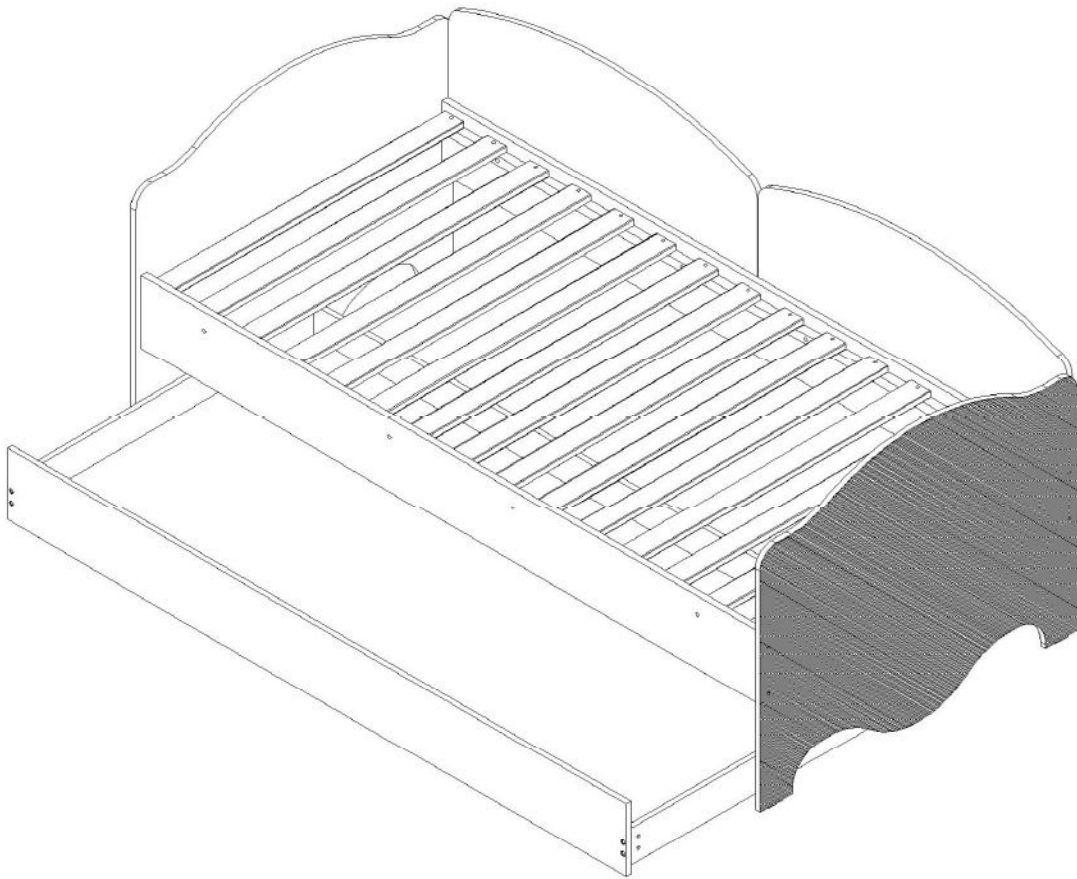
14



M x 30



Option B

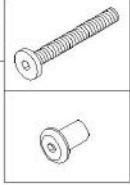


Guide To Assembly

Model : MG 7613

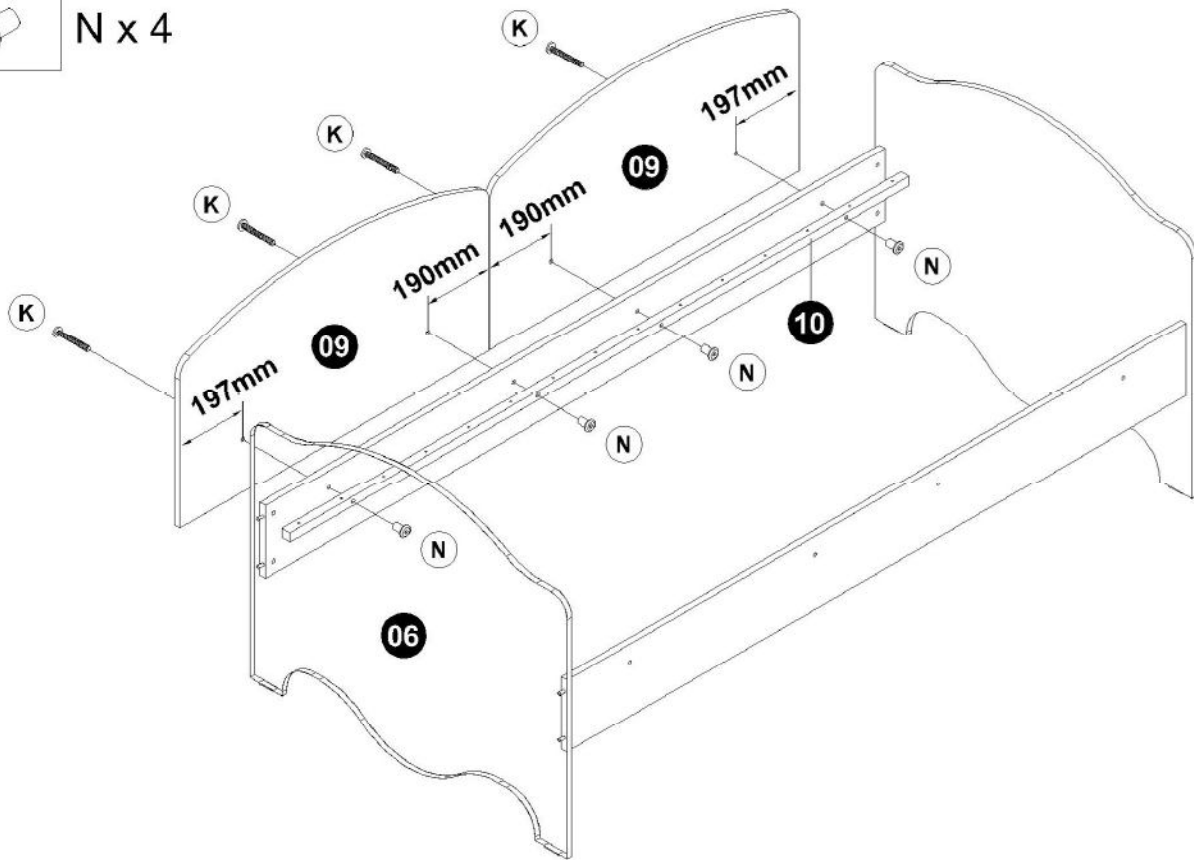
Option C

11

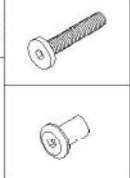


K x 4

N x 4

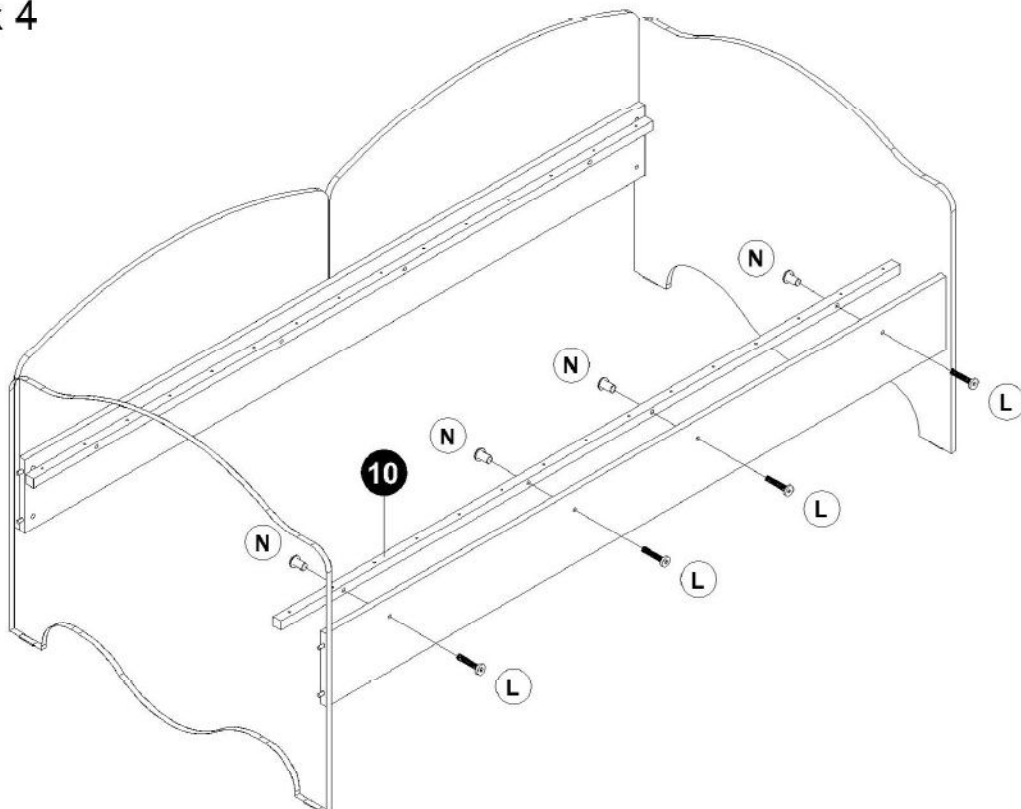


12



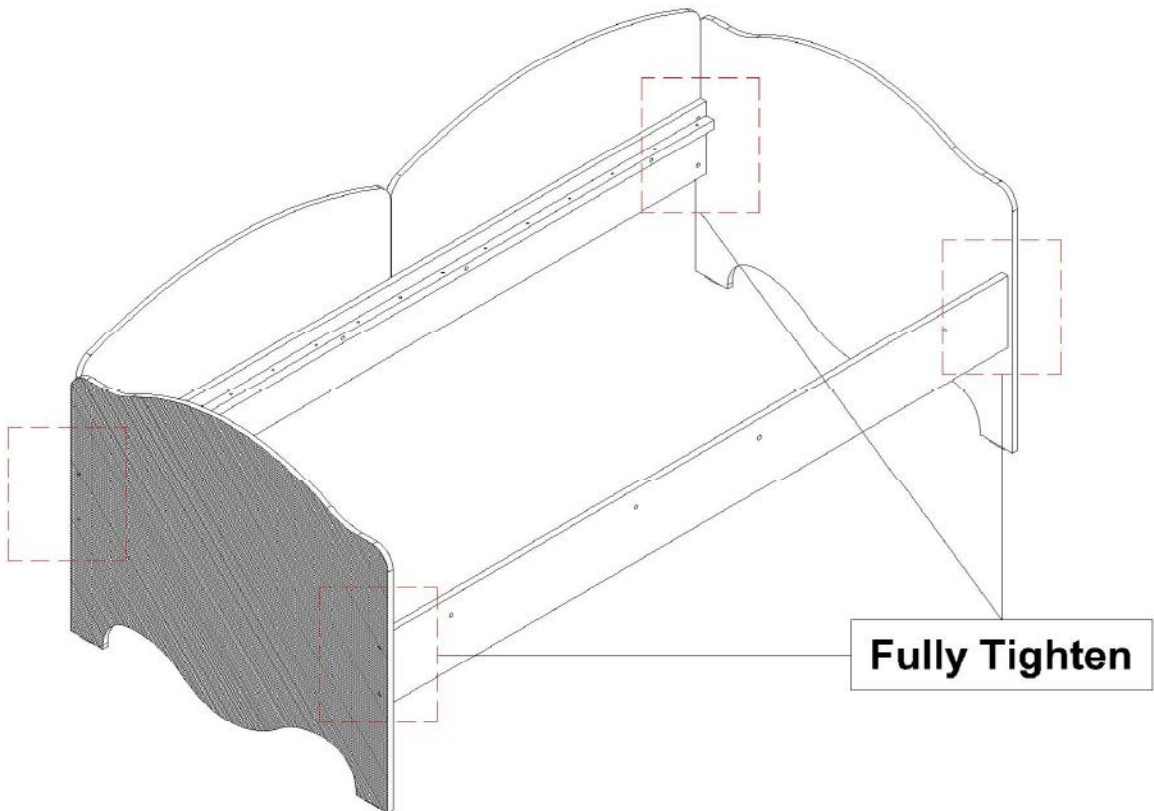
L x 4

N x 4



13

Option C



14



M x 30

