

Dimensions

Width- 79,9 cm

Depth- 39,9 cm

Height- 67,4 cm

71,9 cm inc feet

Important- Please read these instructions fully before starting assembly

If you need help or have damaged or missing parts, call the **Customers Helpline:** 0844 8008475



Safe and Care Advice

Important - Please read these instructions fully before starting assembly

- Check you have all the components and tools listed

- Remove all fittings from the plastic bags and separate them into their groups.

- Keep children and animals away from the work area, small parts could choke if swallowed.

- Make sure you have enough space to lay out the parts before starting.

- Do not stand or put weight on the product, this could cause damage.

- Assemble the item as close to its final position (in the same room) as possible.

- Assemble on a soft level surface to avoid damaging the unit or your floor.

- Parts of the assembly will be easier with 2 people.



- We do not recommend the use of power drills/drivers **for inserting screws**,

as this could damage the unit. Only use hand screwdrivers.

- Dispose all packaging carefully and responsibly.

Glue safety - Take care when using glue, please follow the advice below

Skin contact: Remove contamination by washing with soap and water. This procedure should also be followed prior to eating and drinking.

Eye contact: Rinse immediately with clean water for 15 minutes and seek medical advice.

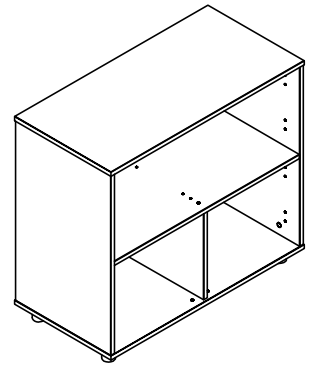
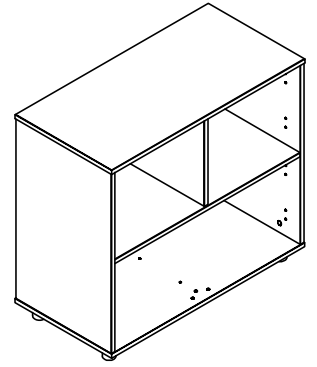
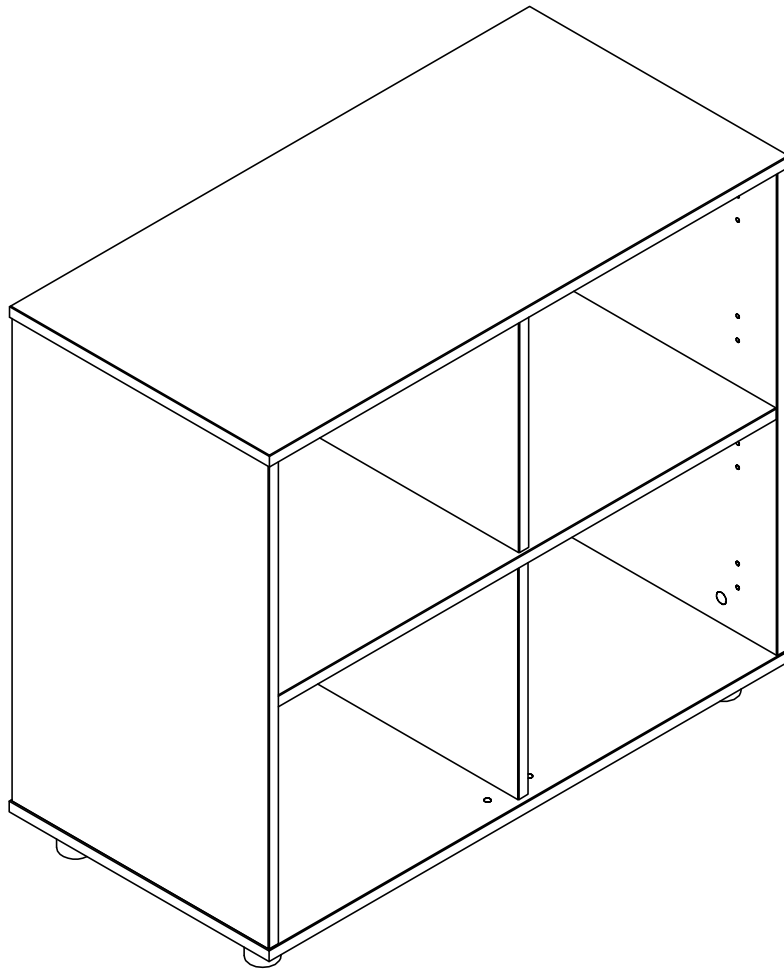
If swallowed: Seek medical advice immediately.

Care and maintenance

- Only clean using a damp cloth and mild detergent, do not use bleach or abrasive cleaners.

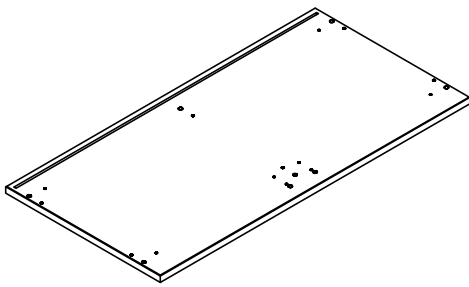
- From time to time check that there are no loose screws on this unit.

- This product should not be discarded with household waste. Take to your local authority waste disposal centre.

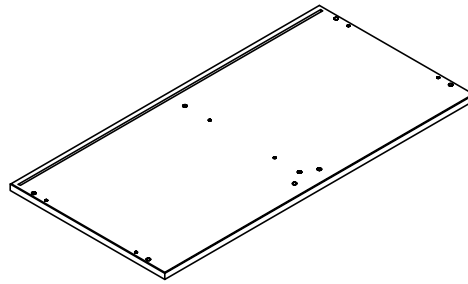


Components- Panels

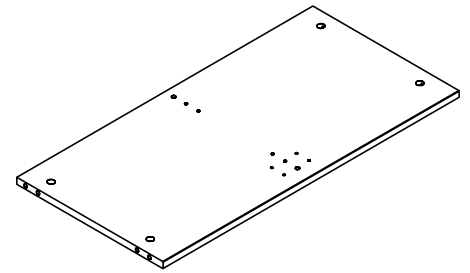
Please check that you have the panels listed below



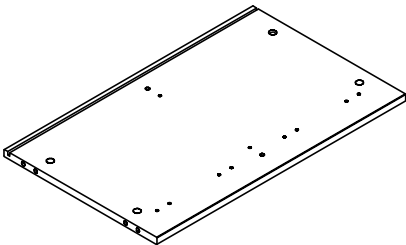
1 Top x1
(79,9x39,9x1,6 cm)



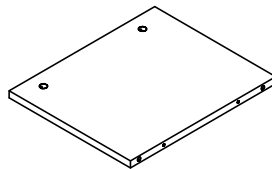
2 Base x1
(79,9x39,9x1,6 cm)



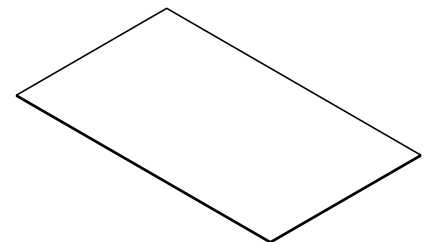
3 Shelf x1
(76,5x37,8x1,6 cm)



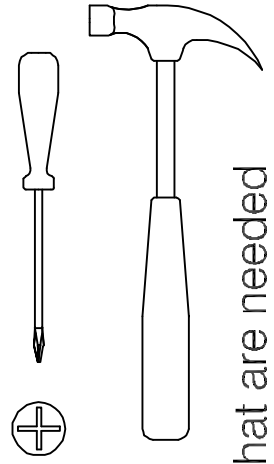
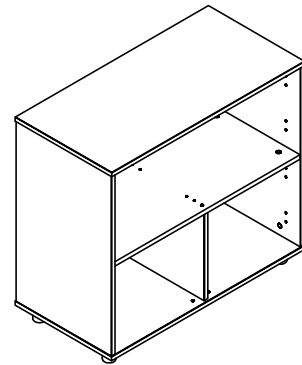
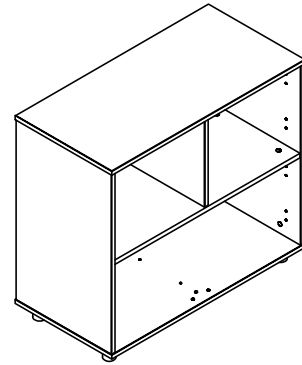
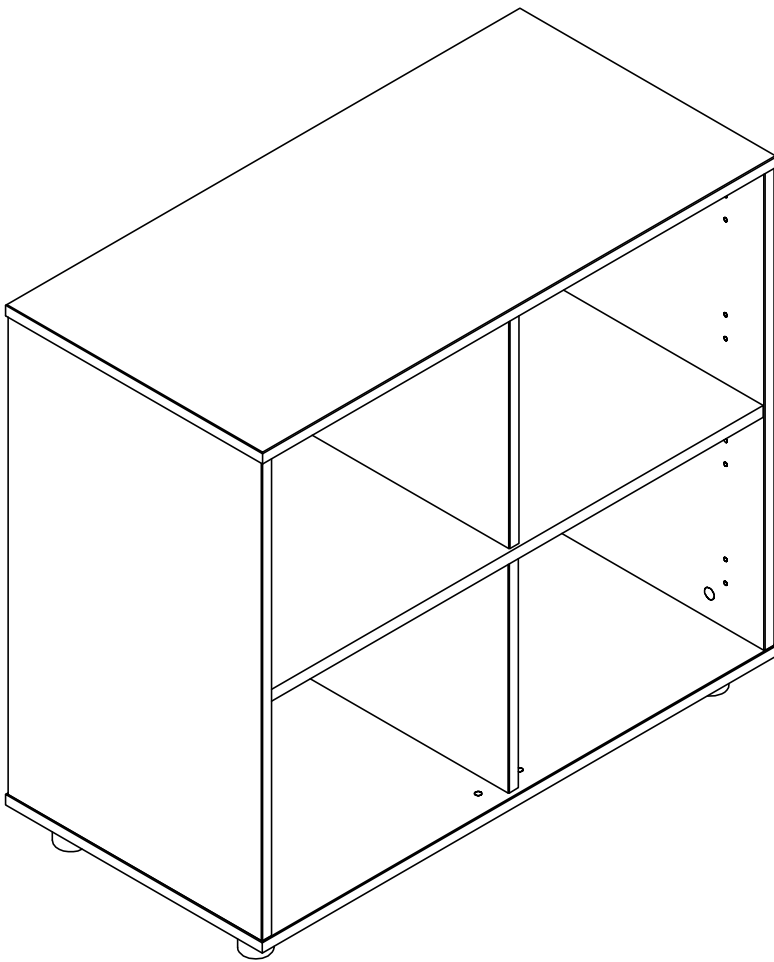
4 Left and right side x2
(64,2x39,5x1,6 cm)



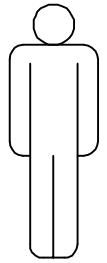
5 Partition panel x2
(31,3x37,5x1,6 cm)



6 Back panel x2
(78x32,8x0,3 cm)


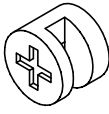
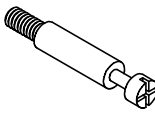
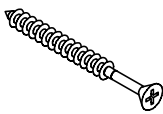
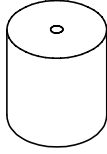

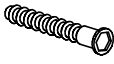
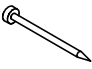
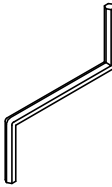
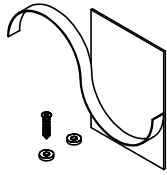

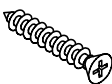


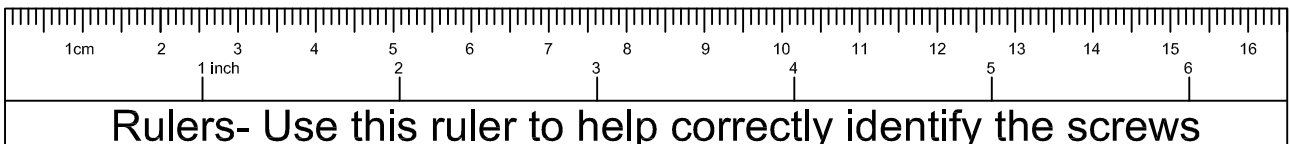
Tools that are needed



Components- Fittings

Please check that you have the fittings listed below

<p>A</p>  <p>8x30 20x</p>	<p>B</p>  <p>15x12 16x</p>	<p>C</p>  <p>6,5x44 16x</p>	<p>D</p>  <p>4,5x55 4x</p>	<p>H</p>  <p>4x</p>	<p>J</p>  <p>20x</p>	<p>M</p>  <p>5x50mm 4x</p>
<p>N</p>  <p>25x</p>		<p>P</p>  <p>1x</p>	<p>R</p>  <p>1x</p>	<p>S</p>  <p>6x</p>	<p>T</p>  <p>4x25 4x</p>	



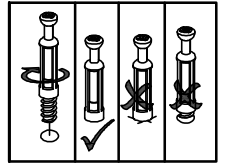
Rulers- Use this ruler to help correctly identify the screws

Step 1

In this step use these fittings:

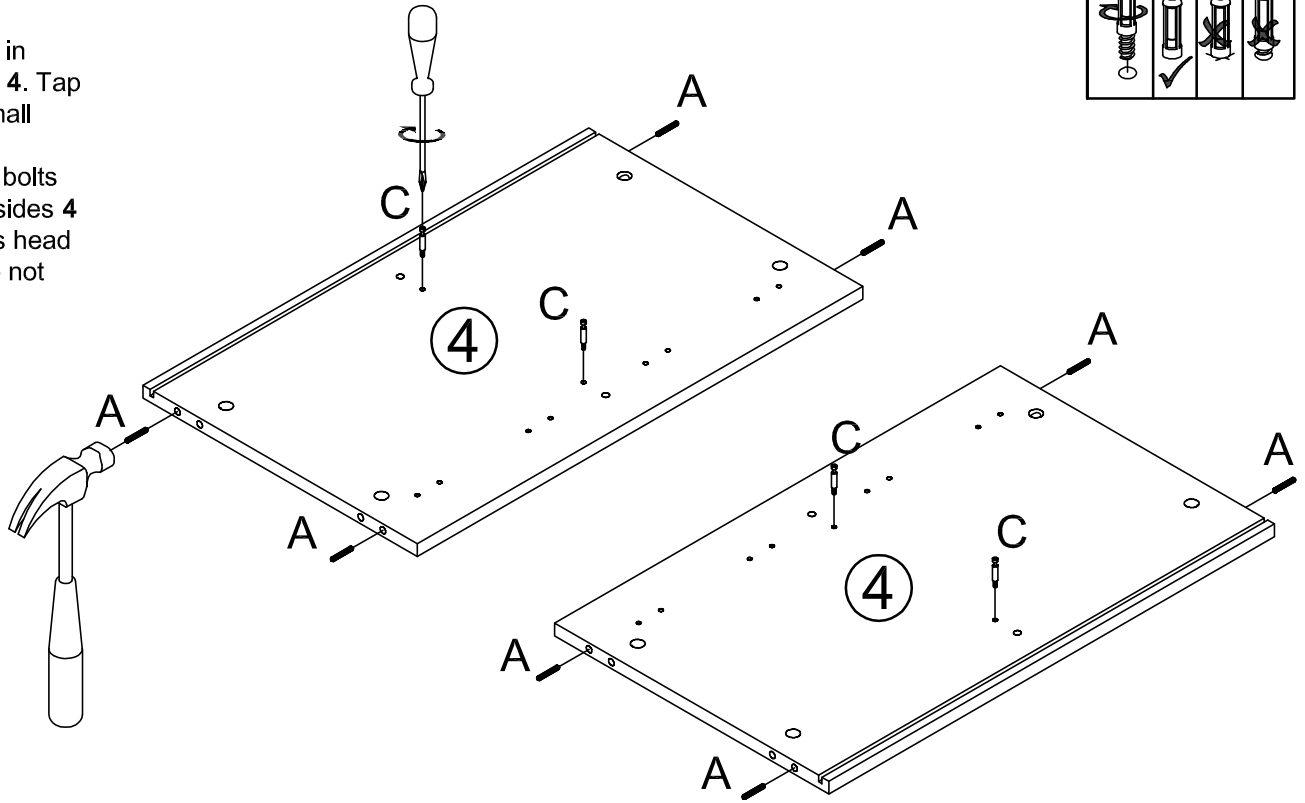
Ax8

Cx4



Insert dowels **A** in Cube unit sides **4**. Tap gently with a small hammer.

Place eccentric bolts **C** in Cube unit sides **4** by using Phillips head screwdriver. Do not overtight!

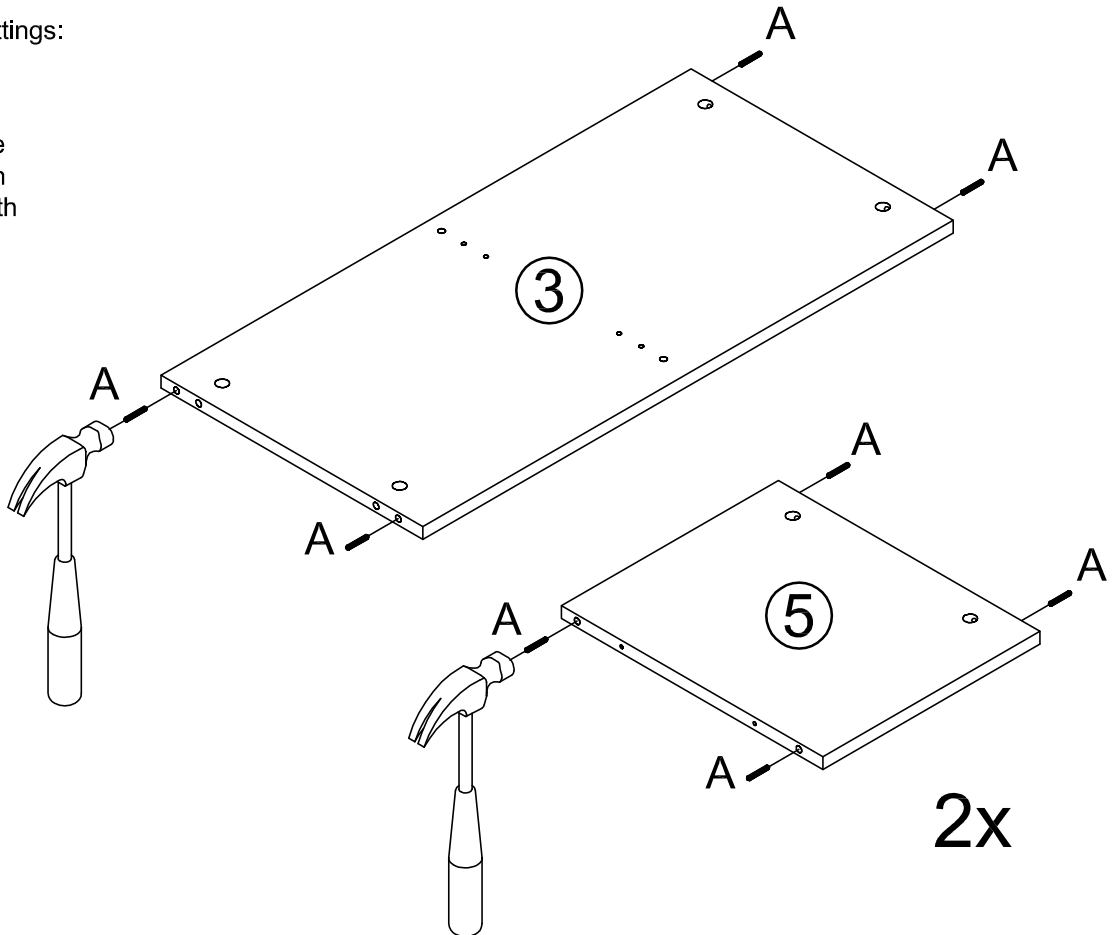


Step 2

In this step use these fittings:

Ax12

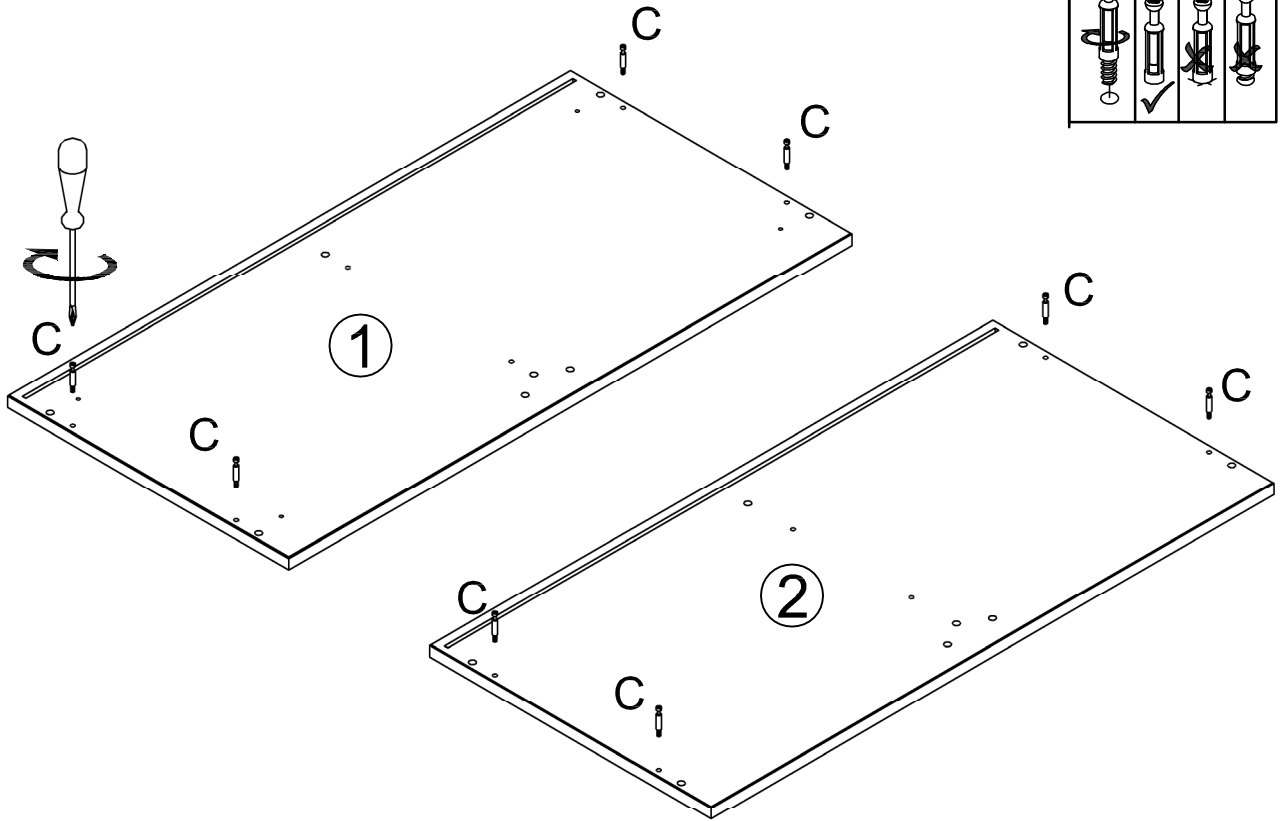
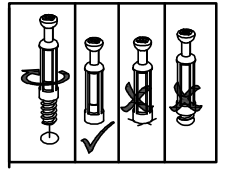
Insert dowels **A** in Cube unit shelf **3** and partition panels **5**. Tap gently with a small hammer.



Step 3

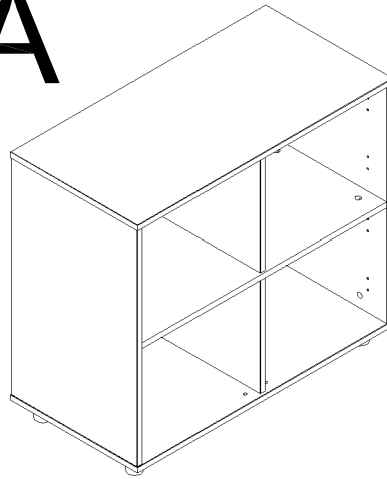
In this step use these fittings:
Cx8

Place eccentric bolts **C** in Cube unit top **1** and base **2** by using Phillips head screwdriver. Do not overtight!

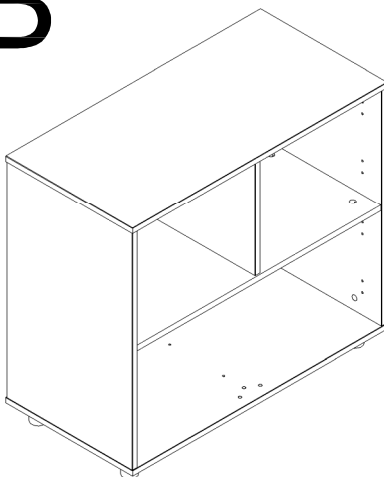


Decides how the product is assembled

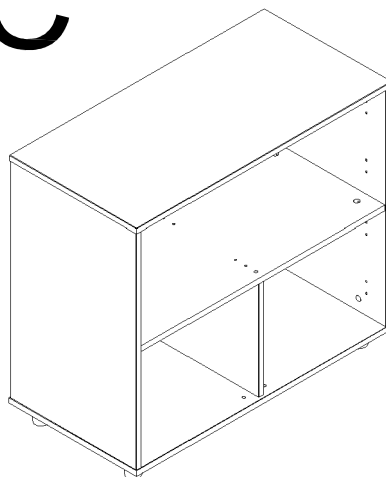
A



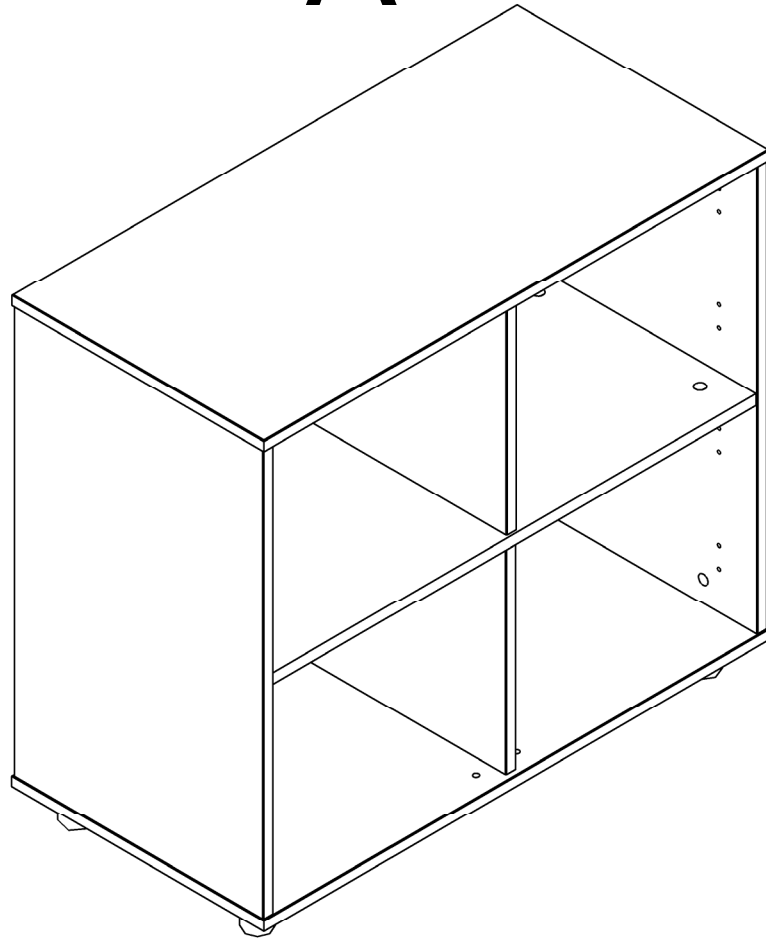
B



C



A



Step 4A

In this step use these fittings:

Mx2

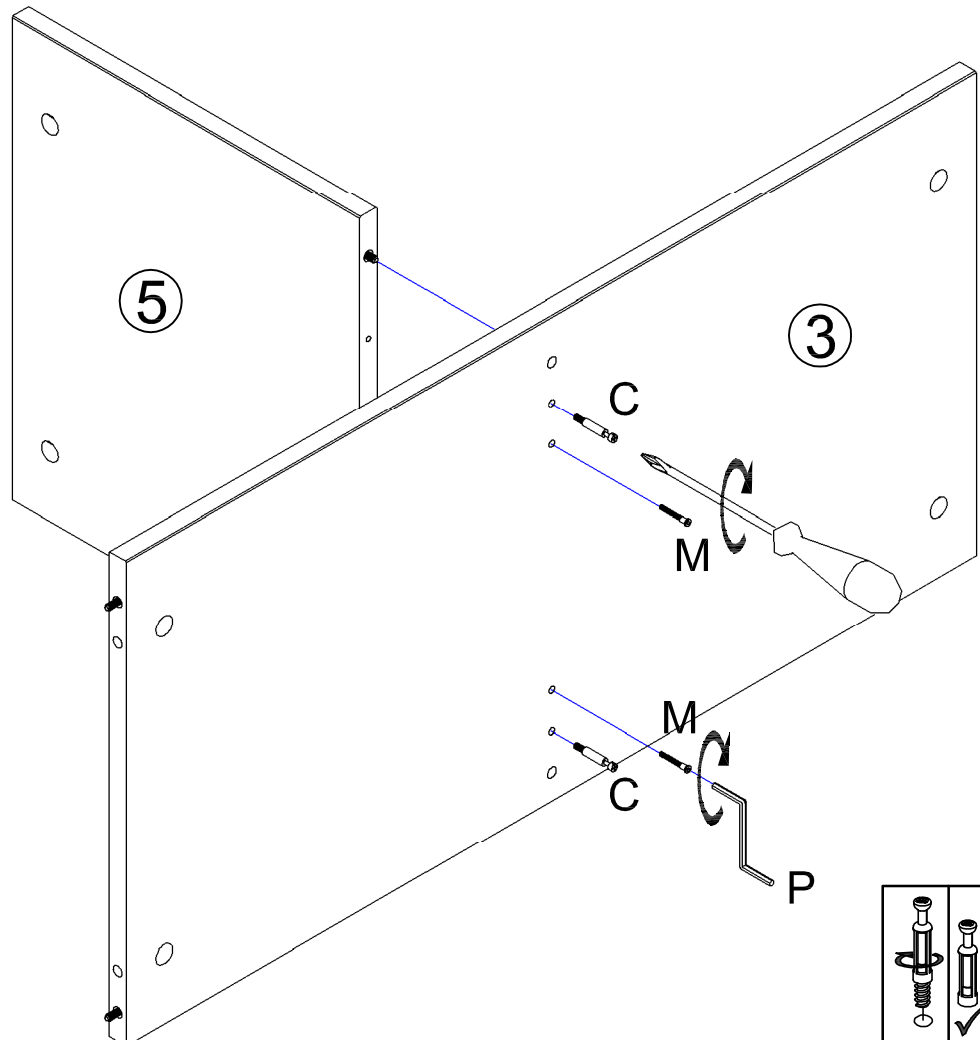
Px1

Cx2

Assemble partition panel **5** and shelf **3**

Push partition panel **5** and shelf **3** together and fasten with connecting bolts **M** using allen key **P**.

Place eccentric bolts **C** in Cube unit shelf **3** by using Phillips head screwdriver. Do not overtight!

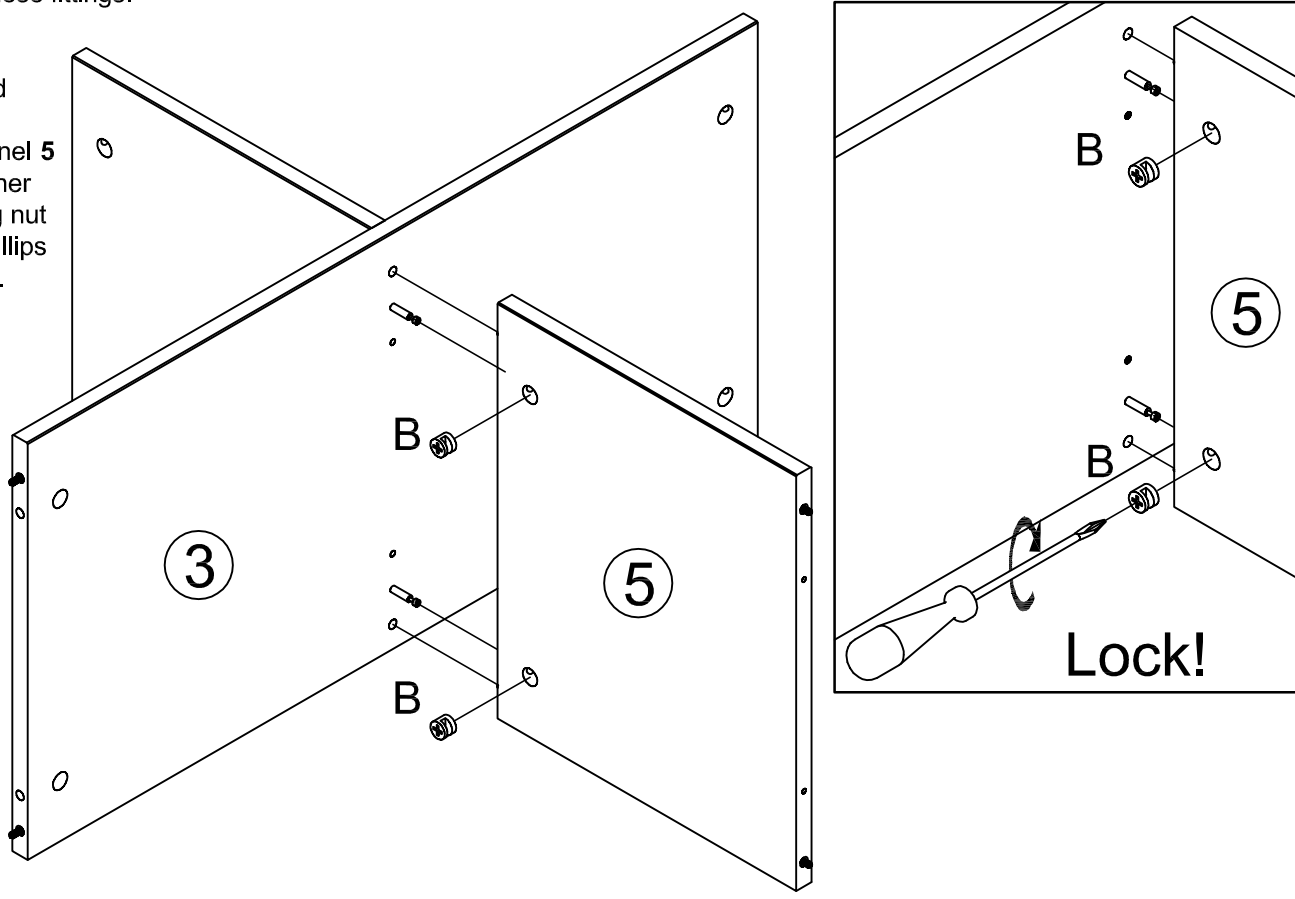


Step 5A

In this step use these fittings:

Bx2

Assemble second partition panel **5**
Push partition panel **5** and shelf **3** together and insert locking nut **B**. Lock using Phillips head screwdriver.

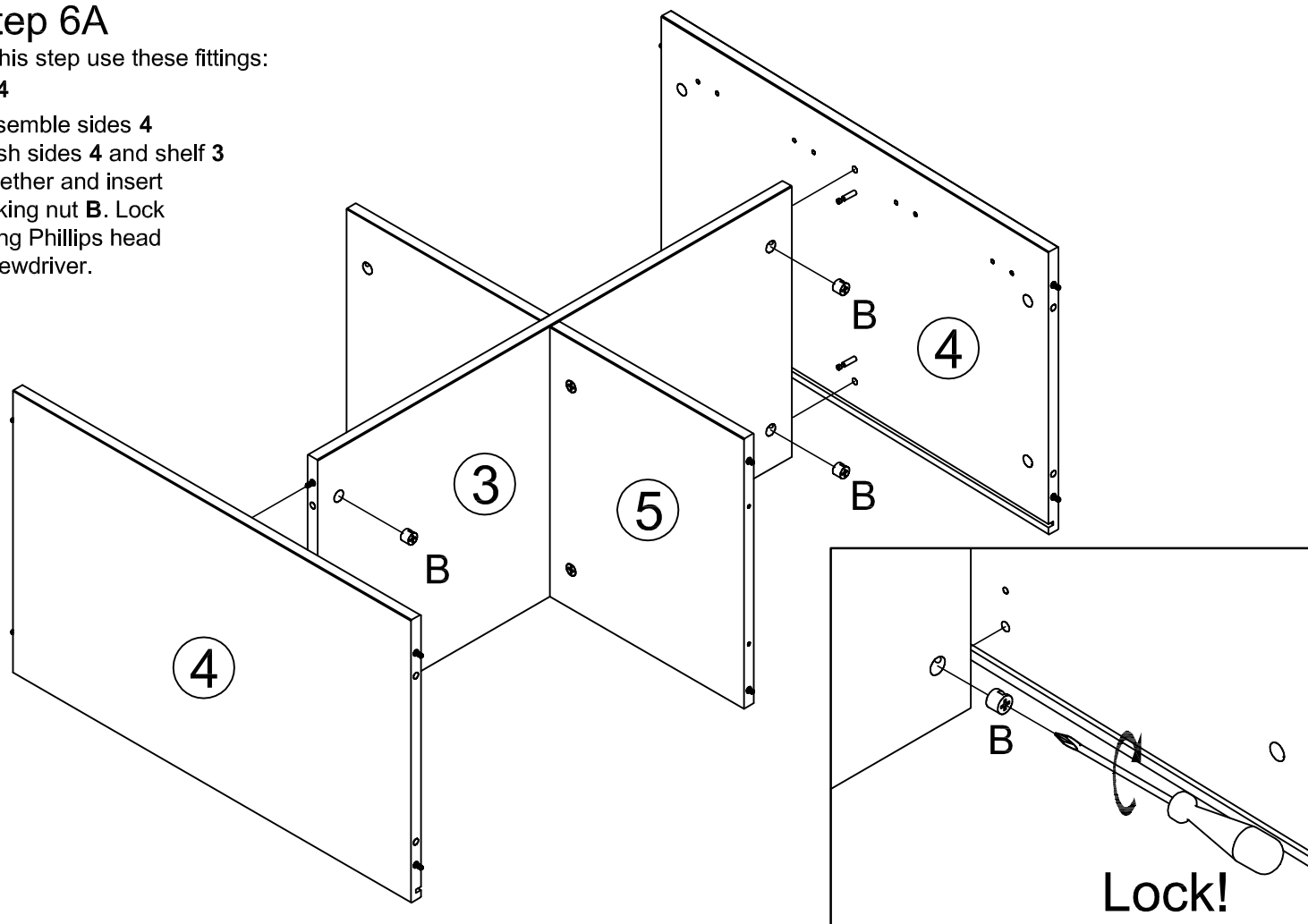


Step 6A

In this step use these fittings:

Bx4

Assemble sides **4**
Push sides **4** and shelf **3** together and insert locking nut **B**. Lock using Phillips head screwdriver.



Step 7A

In this step use these fittings:

Bx4

Mx2

Px1

Assemble base **2**

Push sides **4**

partition panel **5**

and base **2**

together and

fasten with

connecting bolts **M**

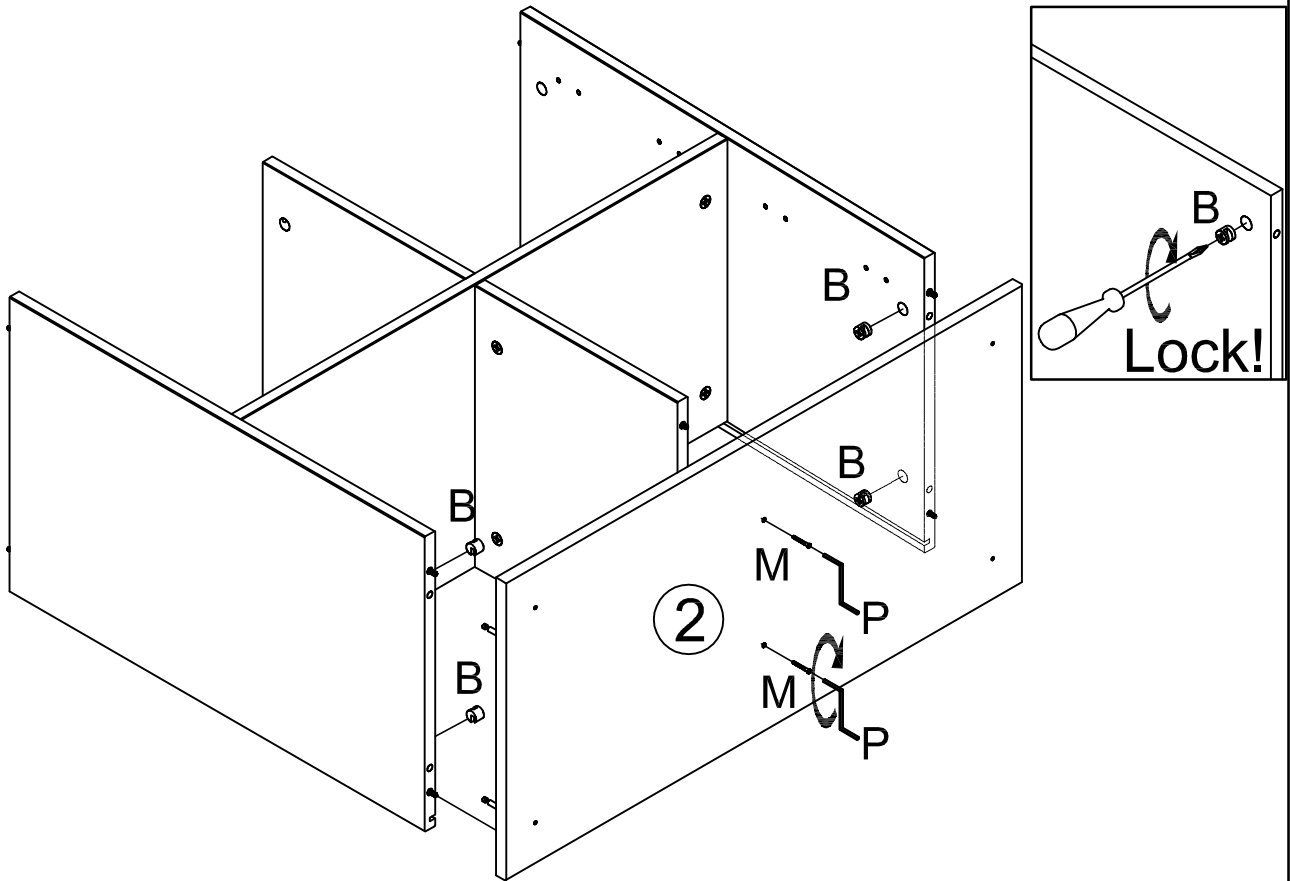
using allen key **P**.

Then insert locking

nut **B**. Lock using

Phillips head

screwdriver



Step 8A

In this step use these fittings:

Hx4

Dx4

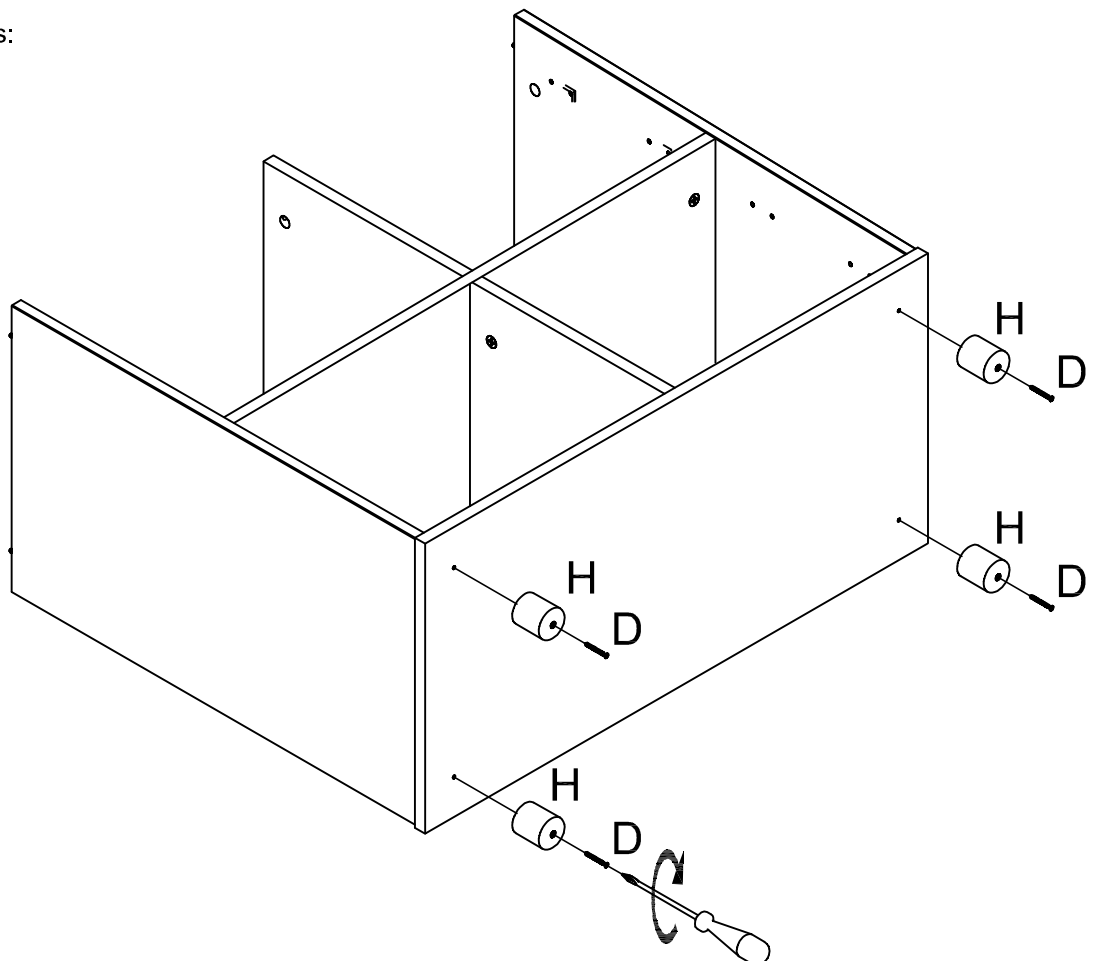
Assemble legs.

Screw legs **H** into

place with screws **D**

using Phillips head

screwdriver.

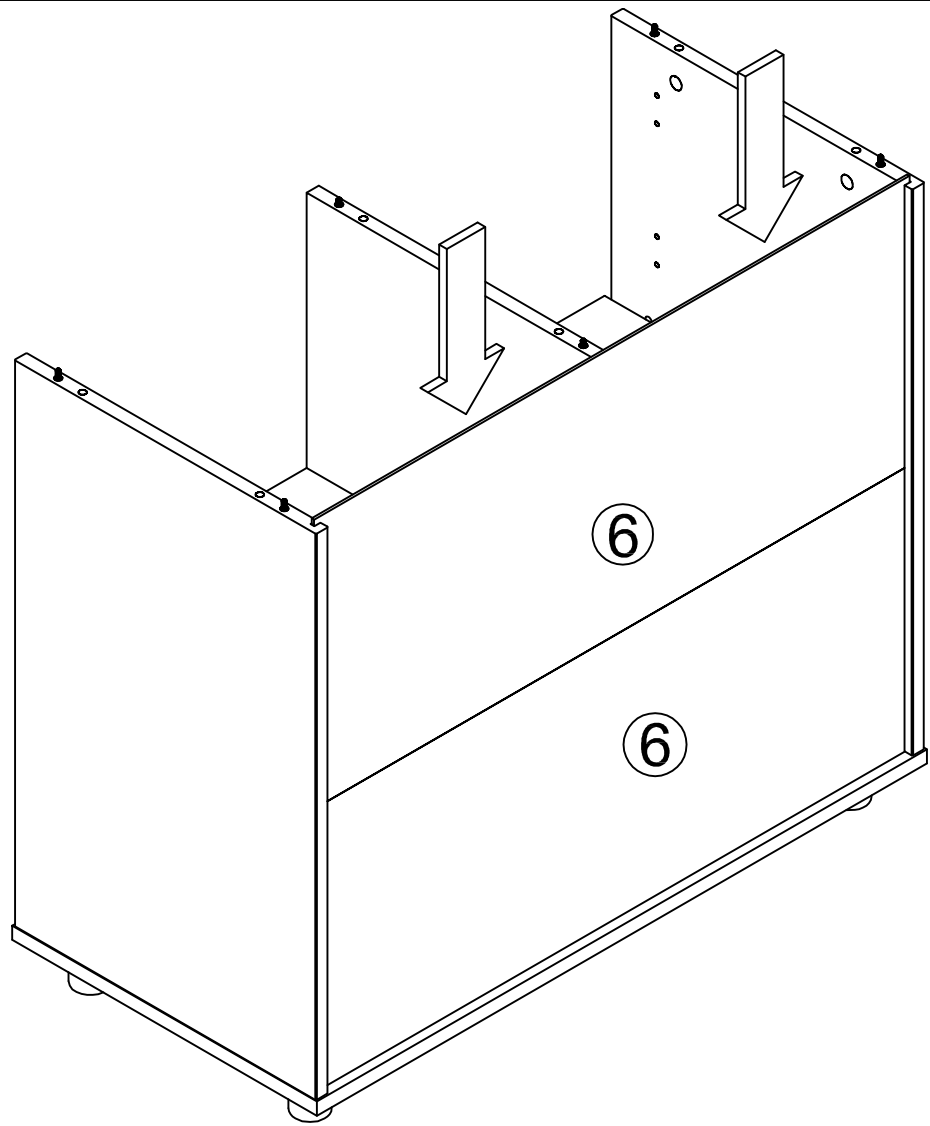


Step 9A

10/24

Assemble back panels **6**.

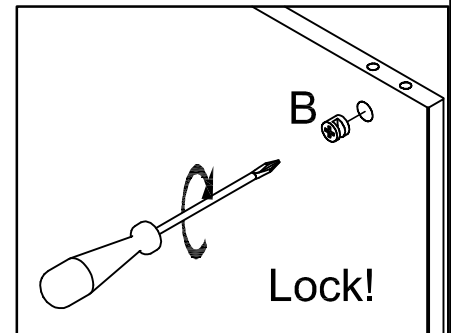
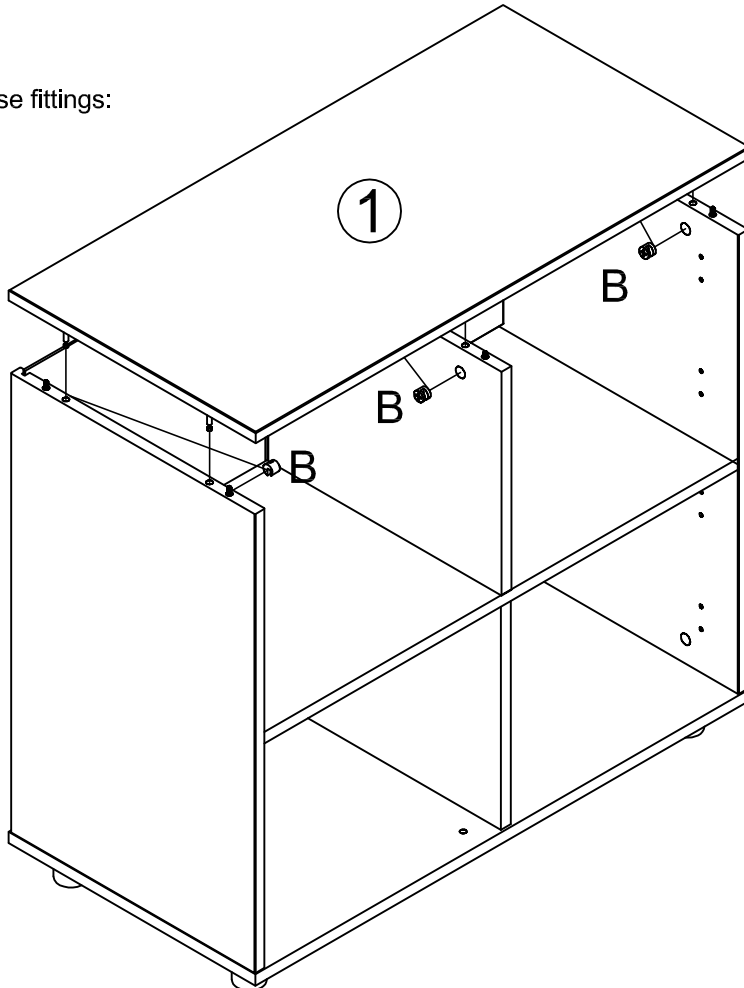
Assemble back panels **6** by pushing them into groove.



Step 10A

In this step use these fittings:
Bx6

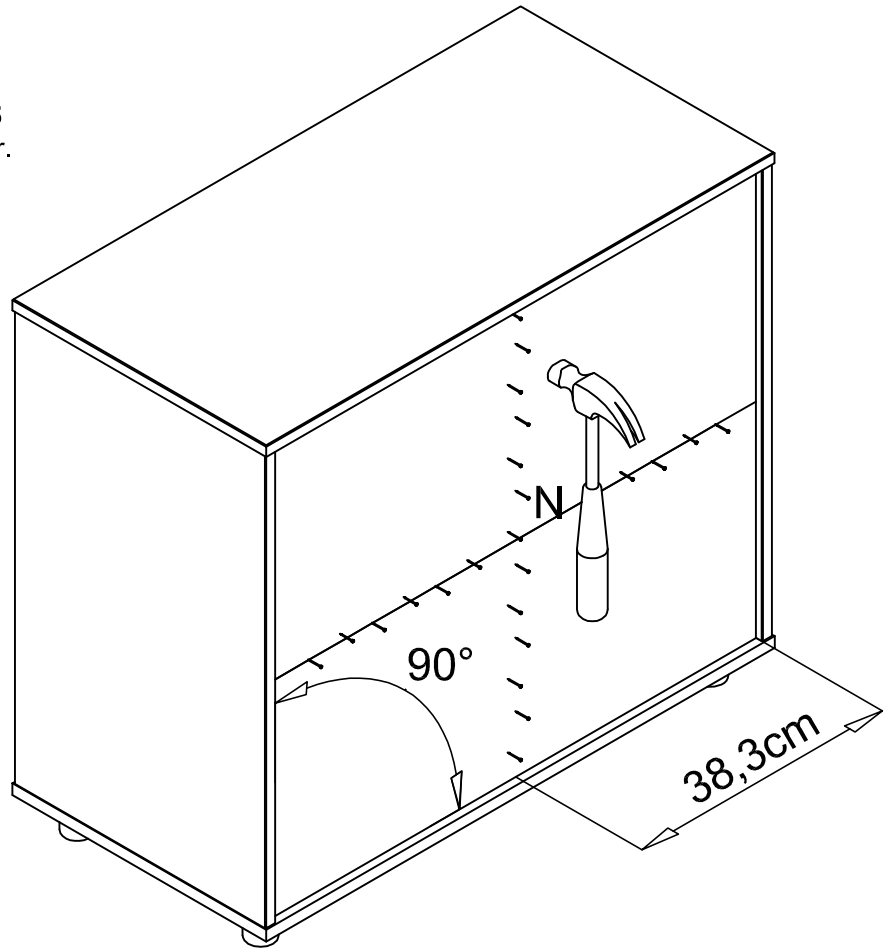
Assemble top **1**
Push sides **4**,
partition panel **5**
and top **1** together,
insert locking nuts
B.
Lock using Phillips
head screwdriver.



Step11A

In this step use these fittings:
Nx16

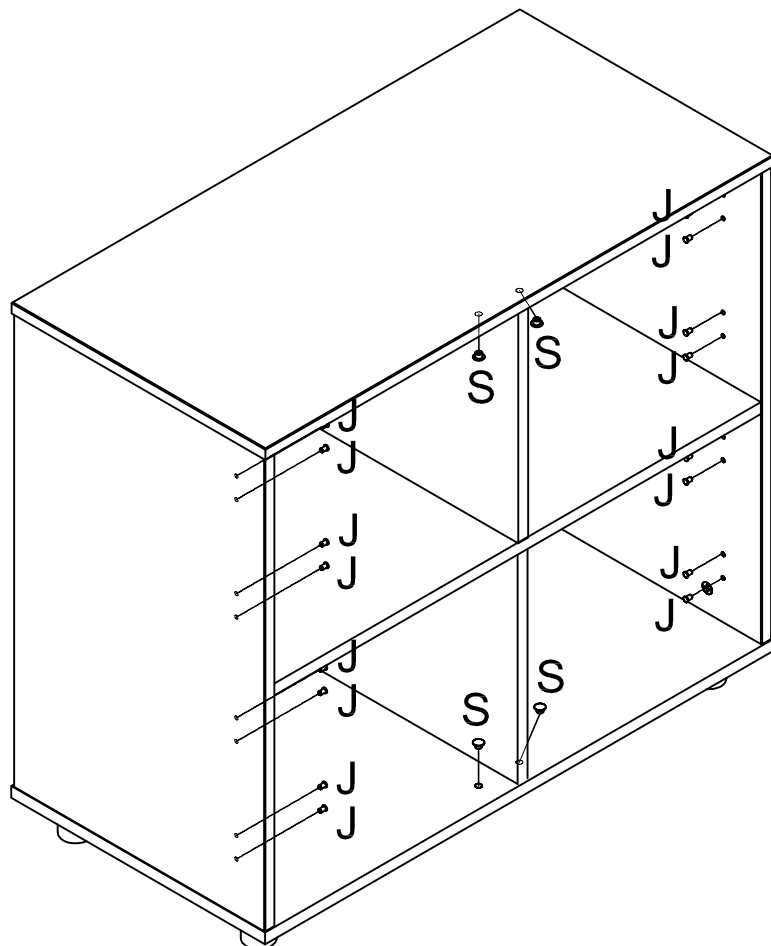
Fasten back panel **6** to partition panel **5**
 and self **3** with nails **N** by using hammer.

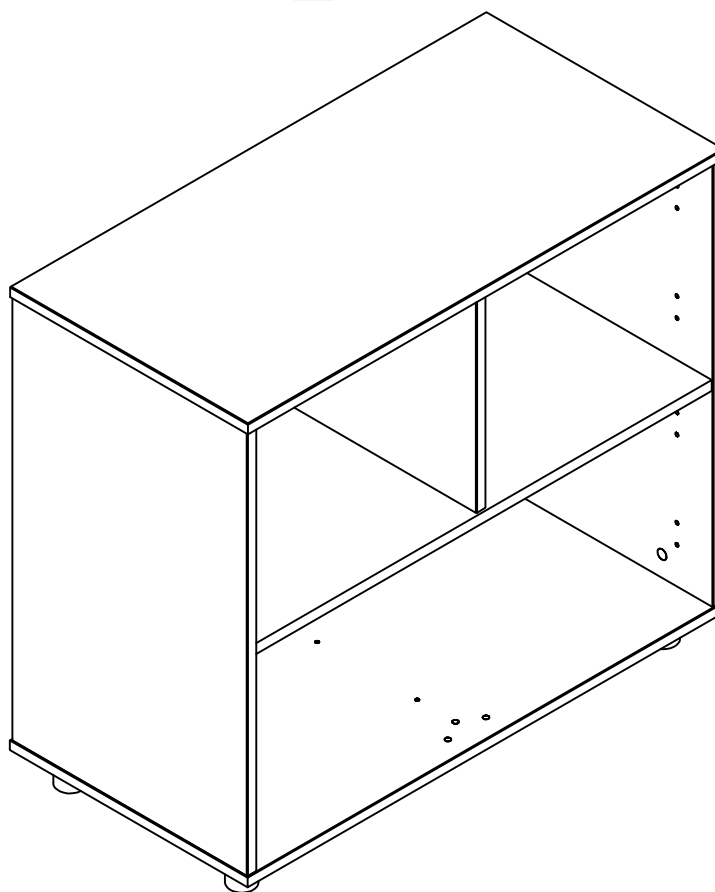


Step12A

In this step use these fittings:
Jx16
Sx4

Cover the unused hinge holes using the
 cover cap **J** and **S**.



B

Step 4B

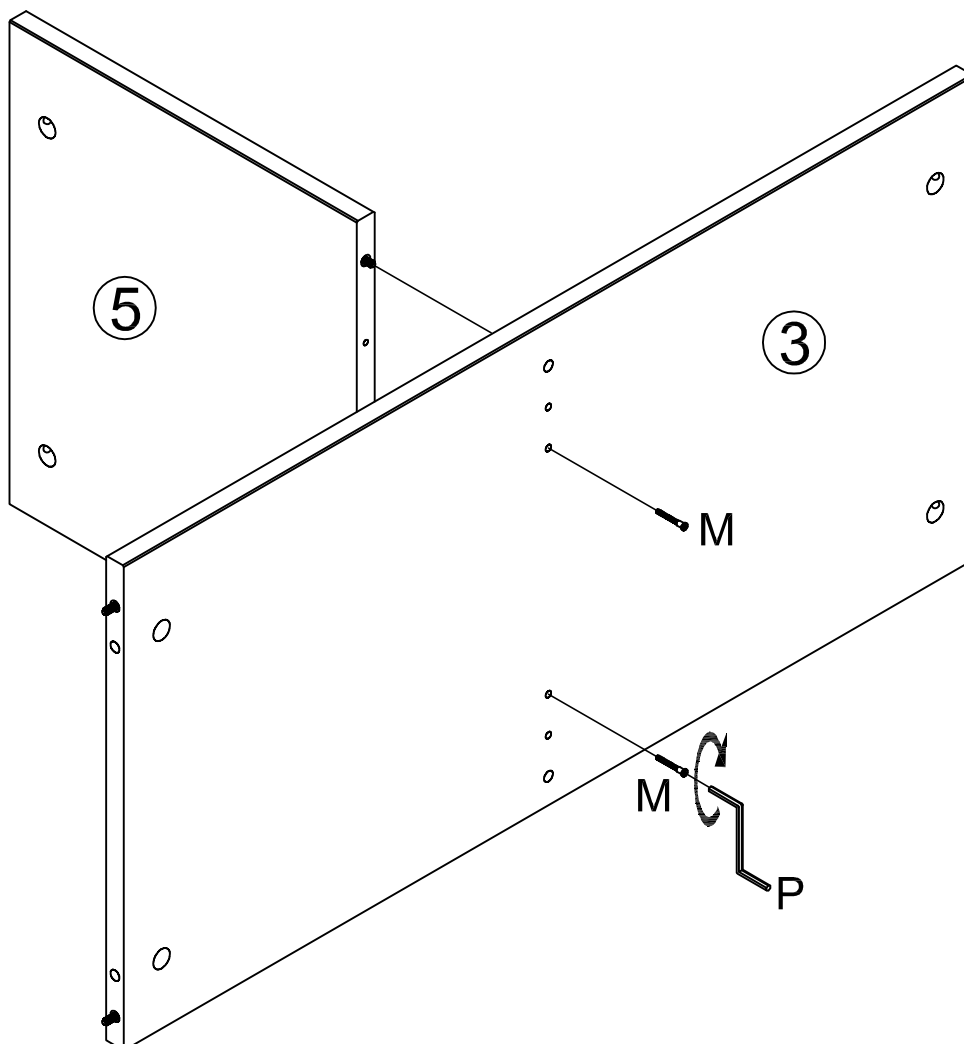
In this step use these fittings:

Mx2

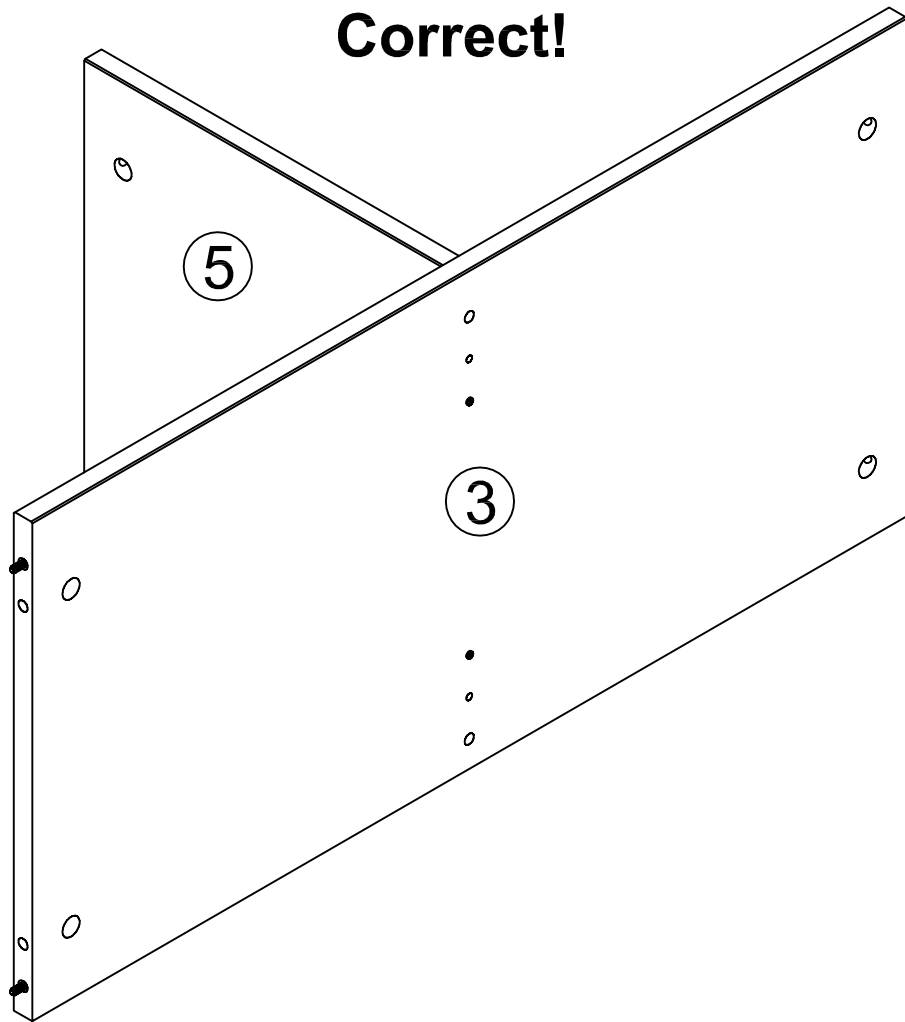
Px1

Assemble partition panel **5**
and shelf **3**

Push partition panel **5**
and shelf **3** together and fasten
with connecting bolts **M**
using allen key **P**.



Correct!

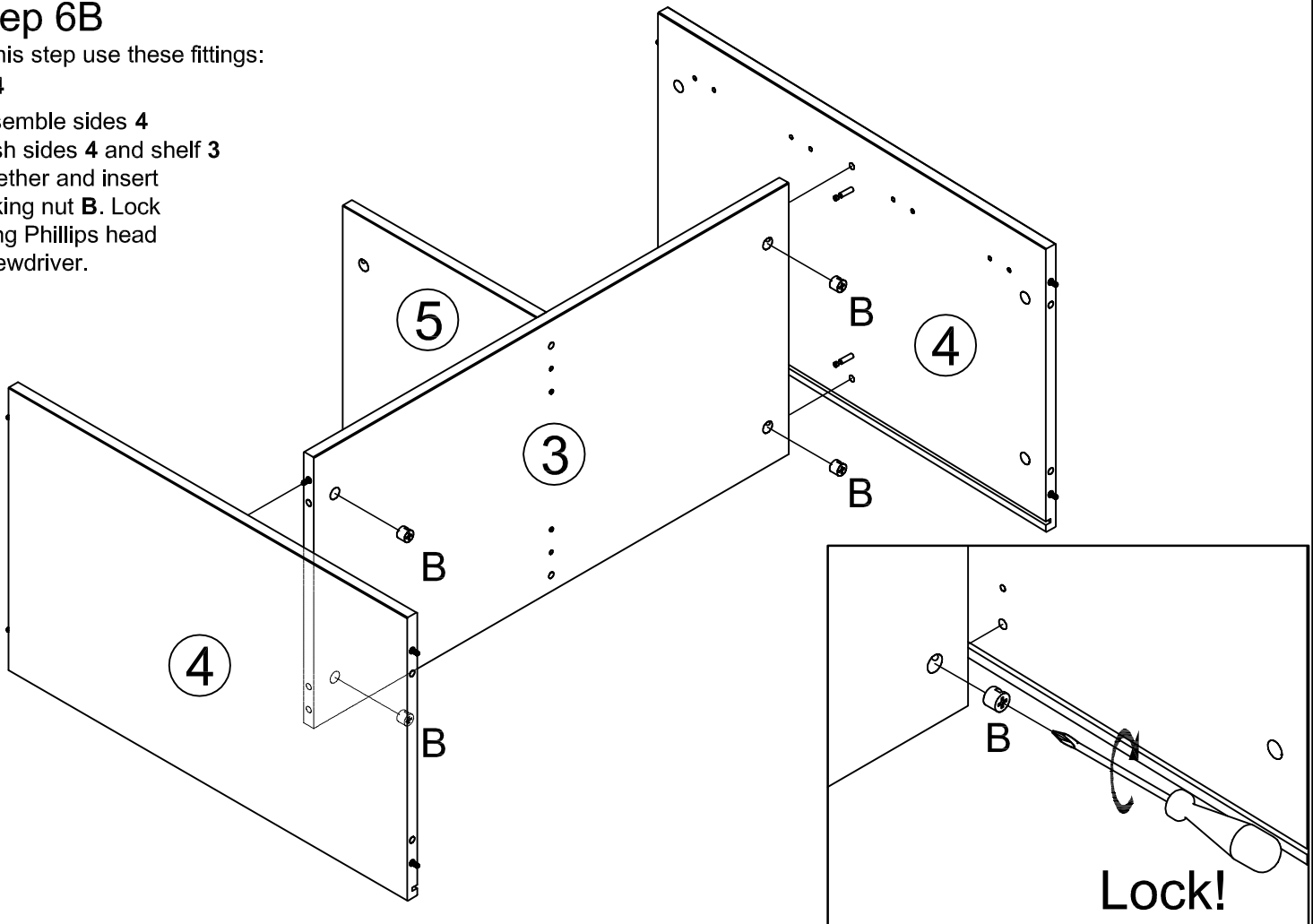


Step 6B

In this step use these fittings:

Bx4

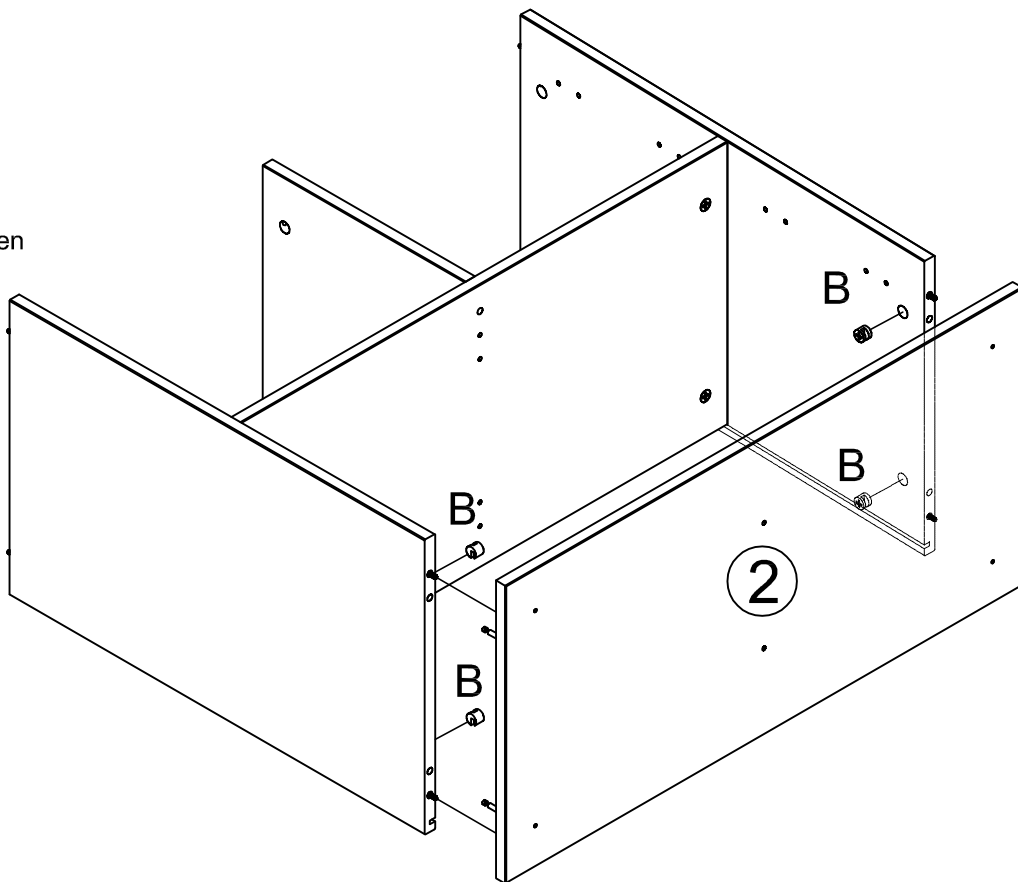
Assemble sides 4
Push sides 4 and shelf 3
together and insert
locking nut **B**. Lock
using Phillips head
screwdriver.



Step 7B

In this step use these fittings:
Bx4

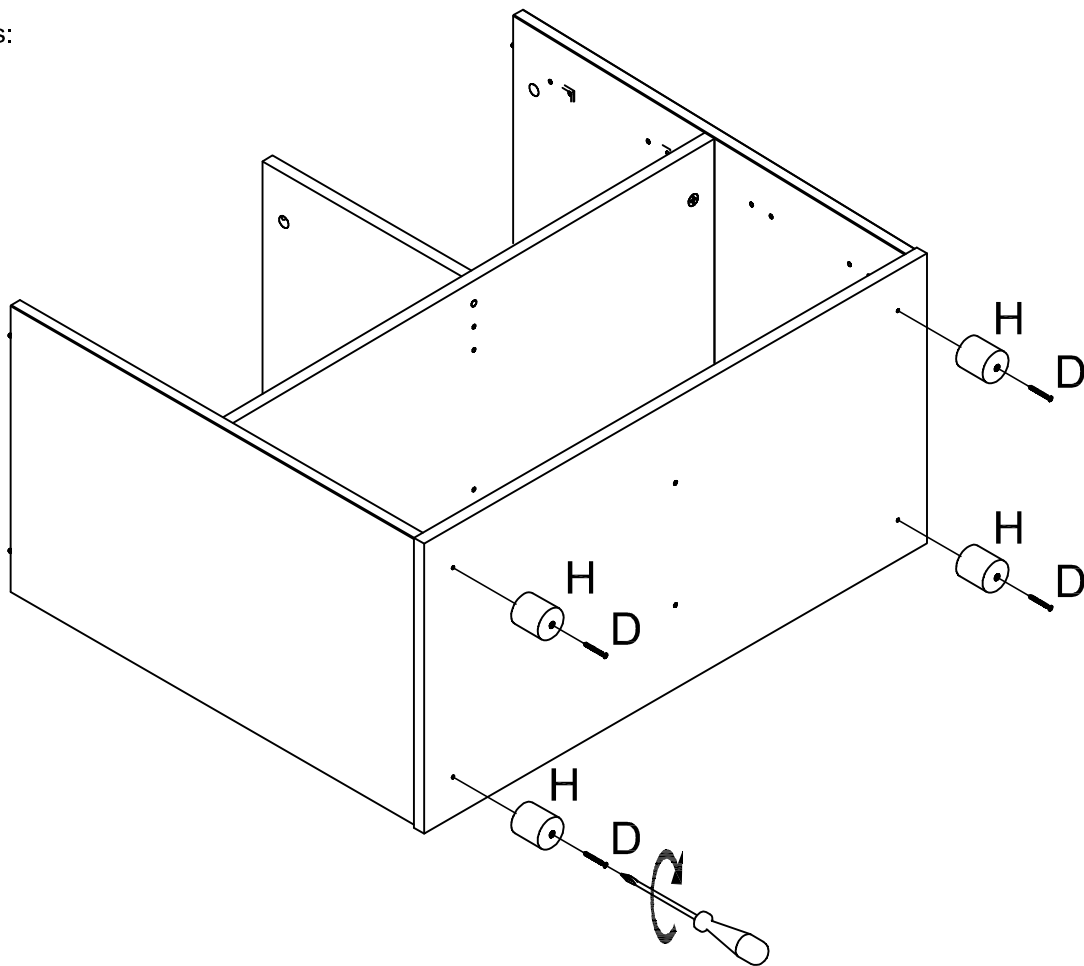
Assemble base 2.
Push sides 4 and base 2 together. Then insert locking nut **B**. Lock using Phillips head screwdriver



Step 8B

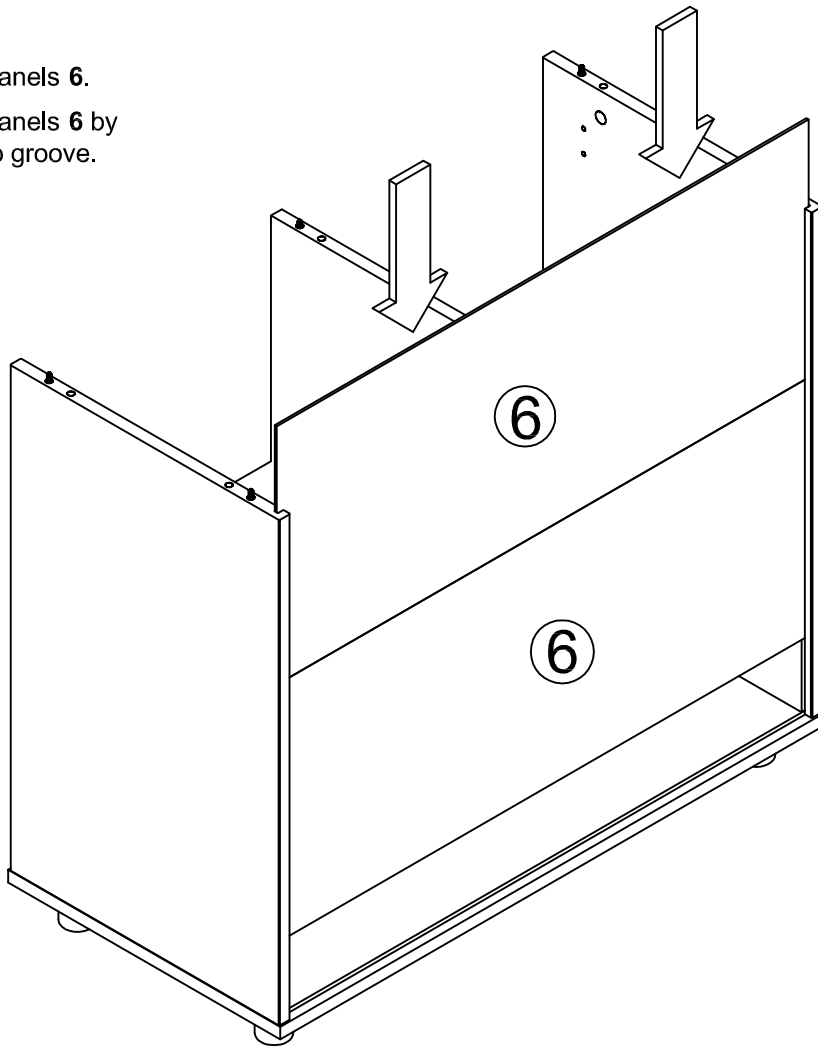
In this step use these fittings:
Hx4
Dx4

Assemble legs.
Screw legs **H** into place with screws **D** using Phillips head screwdriver.



Step 9B

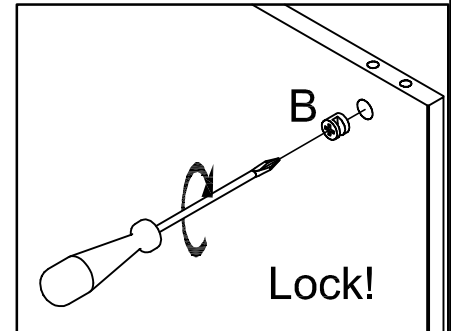
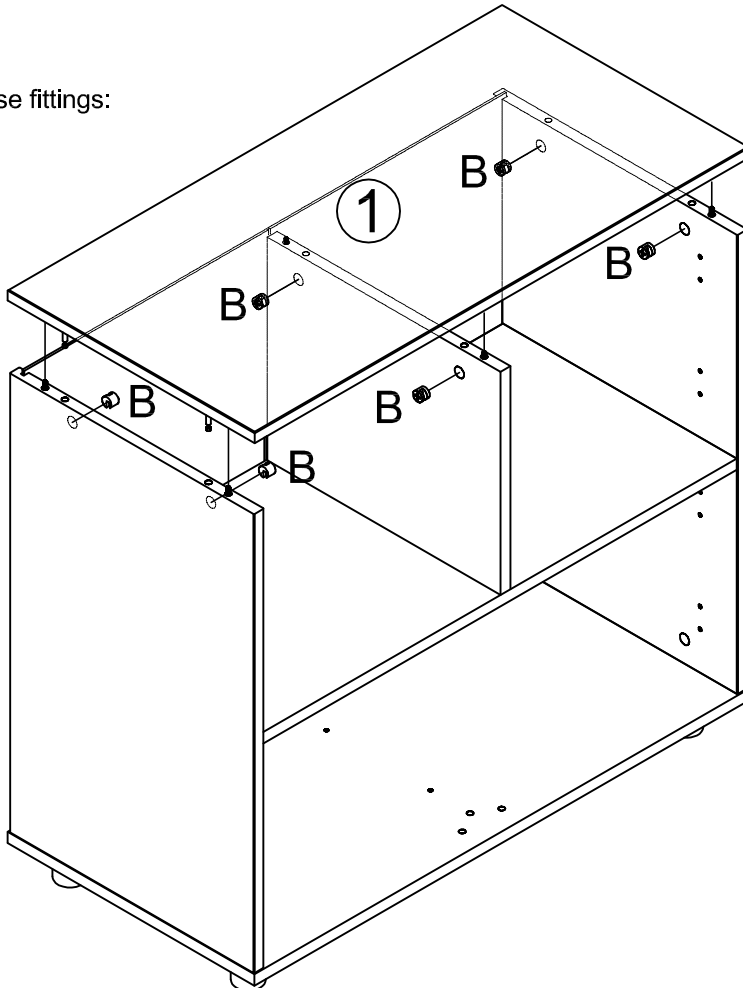
Assemble back panels 6.
Assemble back panels 6 by pushing them into groove.



Step 10B

In this step use these fittings:
Bx6

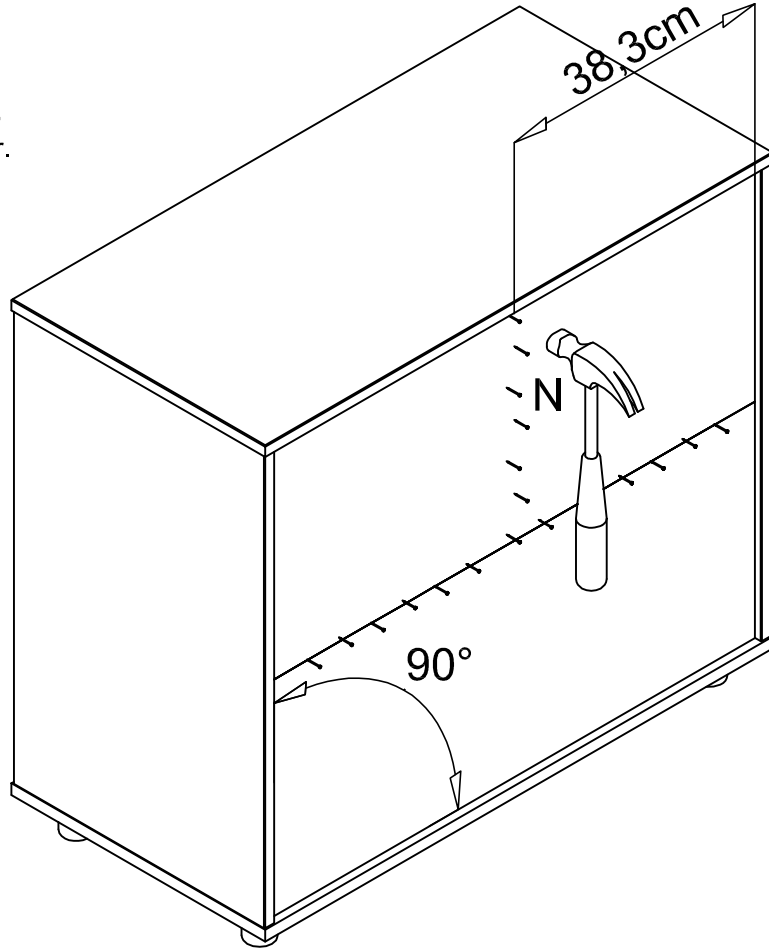
Assemble top 1
Push sides 4,
partition panel 5
and top 1 together,
insert locking nuts
B.
Lock using Phillips
head screwdriver.



Step11B

In this step use these fittings:
Nx12

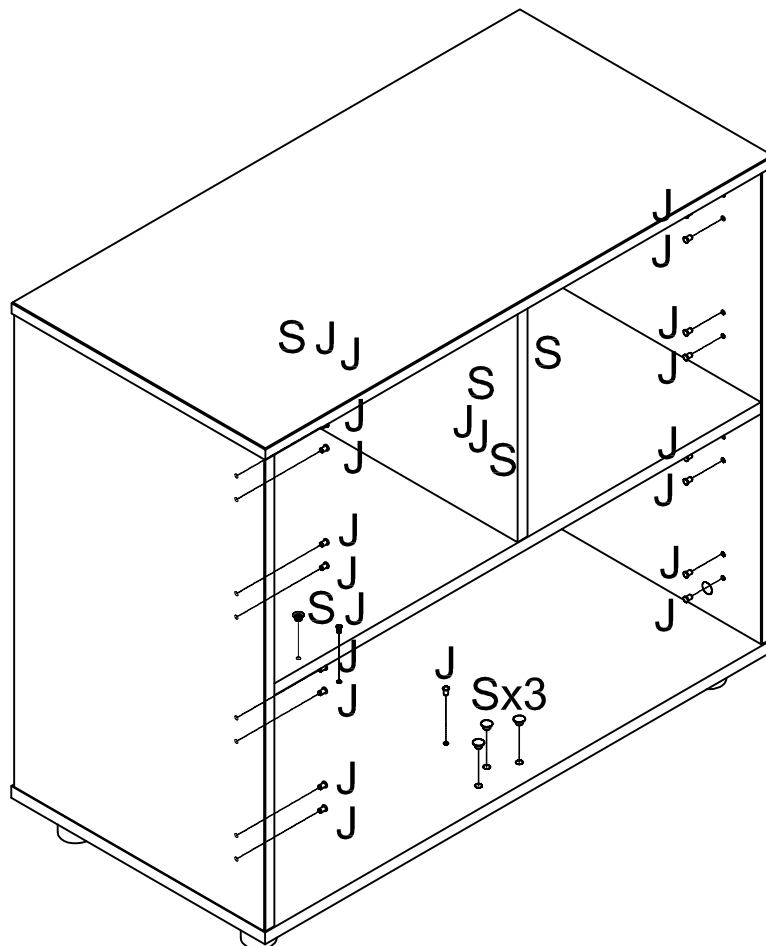
Fasten back panel **6** to partition panel **5**
and self **3** with nails **N** by using hammer.

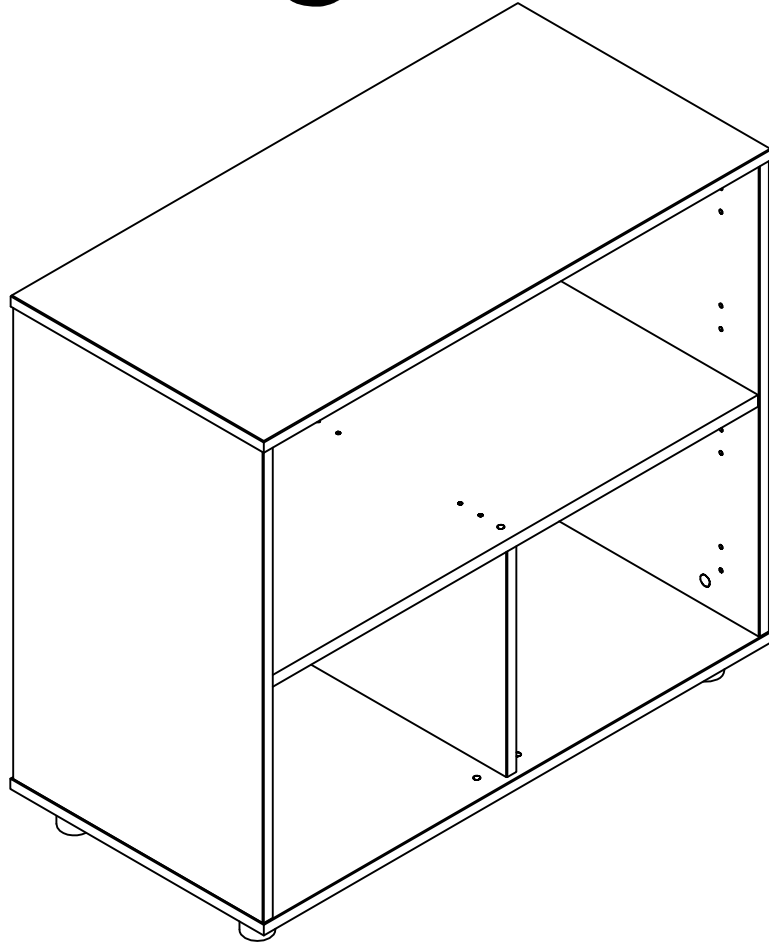


Step12B

In this step use these fittings:
Jx20
Sx6

Cover the unused hinge holes using the
cover cap **J** and **S**.

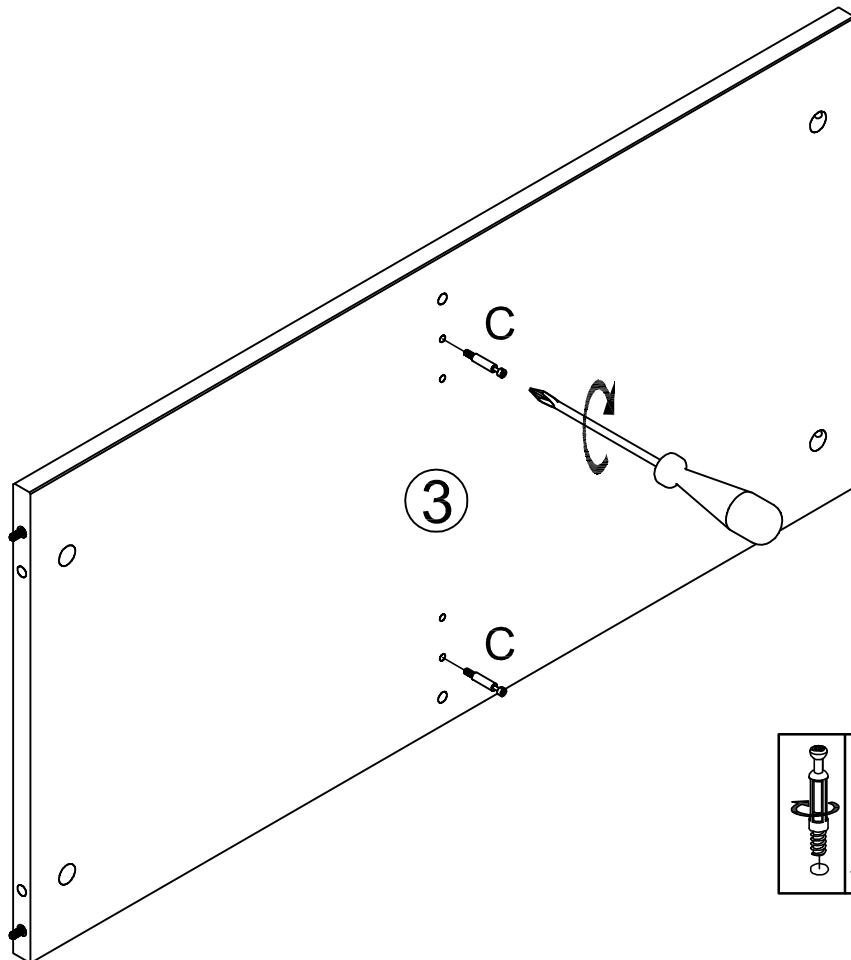


C

Step 4C

In this step use these fittings:
Cx2

Place eccentric bolts **C** in
Cube unit shelf **3** by using
Phillips head screwdriver.
Do not overtight!

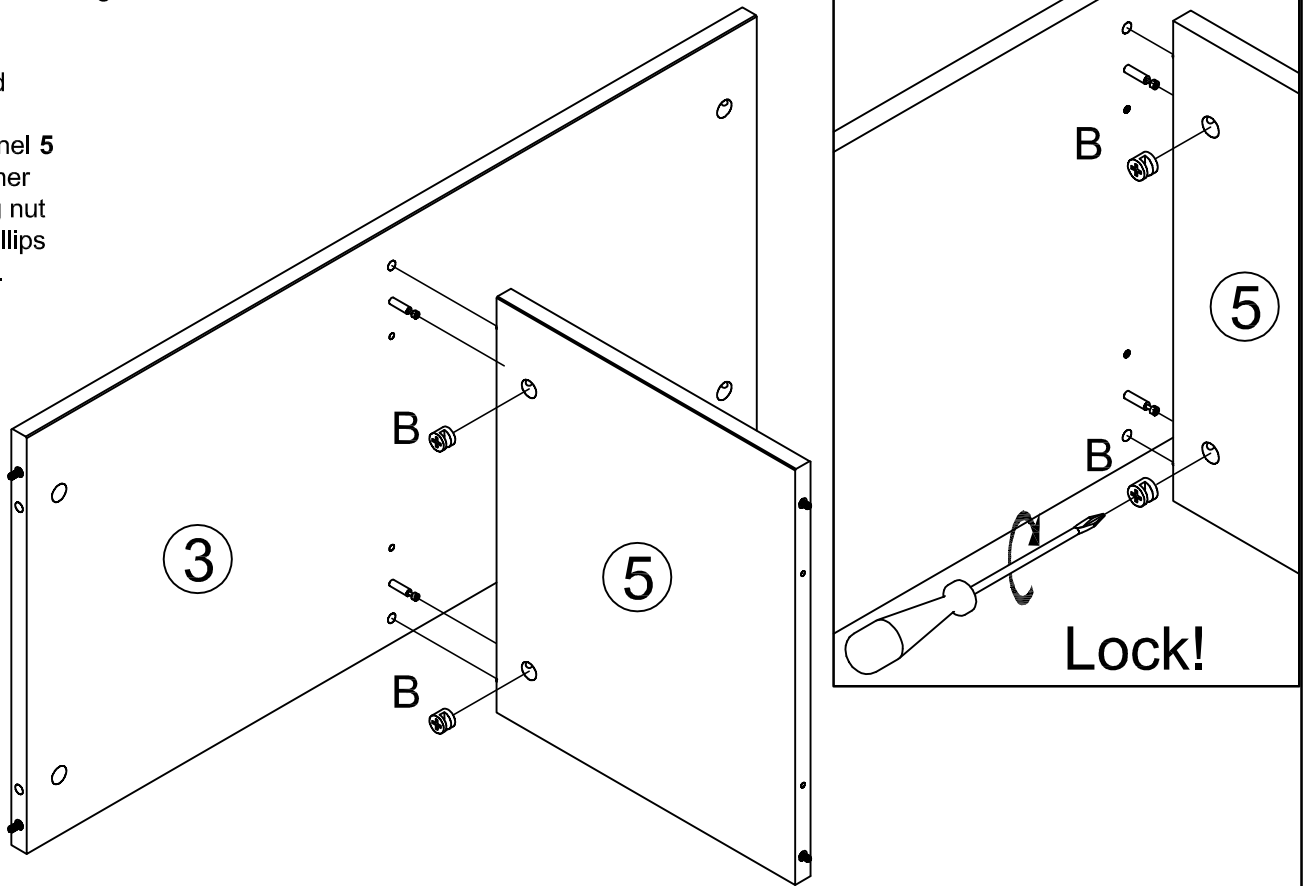


Step 5C

In this step use these fittings:

Bx2

Assemble second partition panel **5**
Push partition panel **5** and shelf **3** together and insert locking nut **B**. Lock using Phillips head screwdriver.

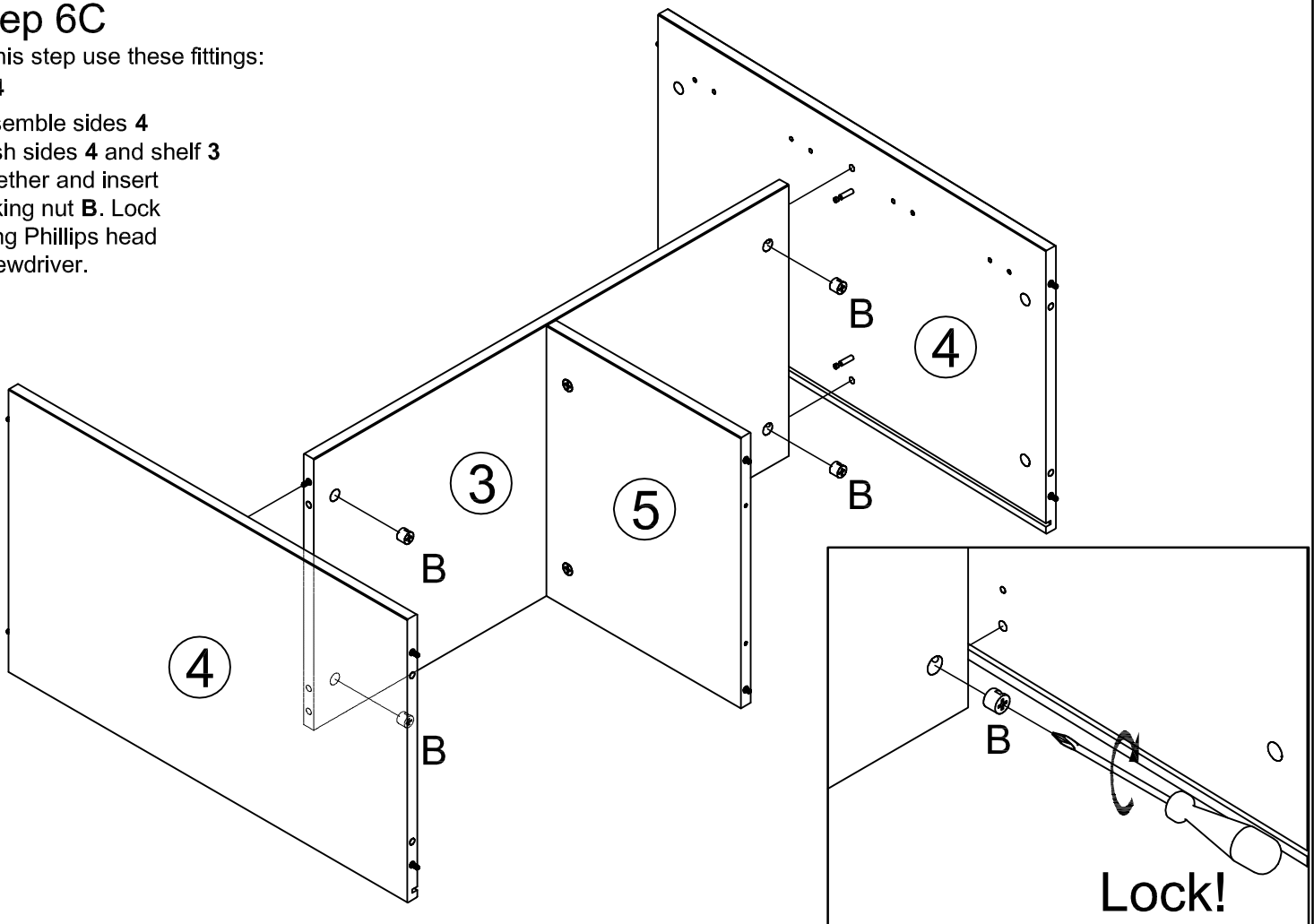


Step 6C

In this step use these fittings:

Bx4

Assemble sides **4**
Push sides **4** and shelf **3** together and insert locking nut **B**. Lock using Phillips head screwdriver.



Step 7C

In this step use these fittings:

Bx4

Mx2

Px1

Assemble base **2**

Push sides **4**

partition panel **5**

and base **2**

together and

fasten with

connecting bolts **M**

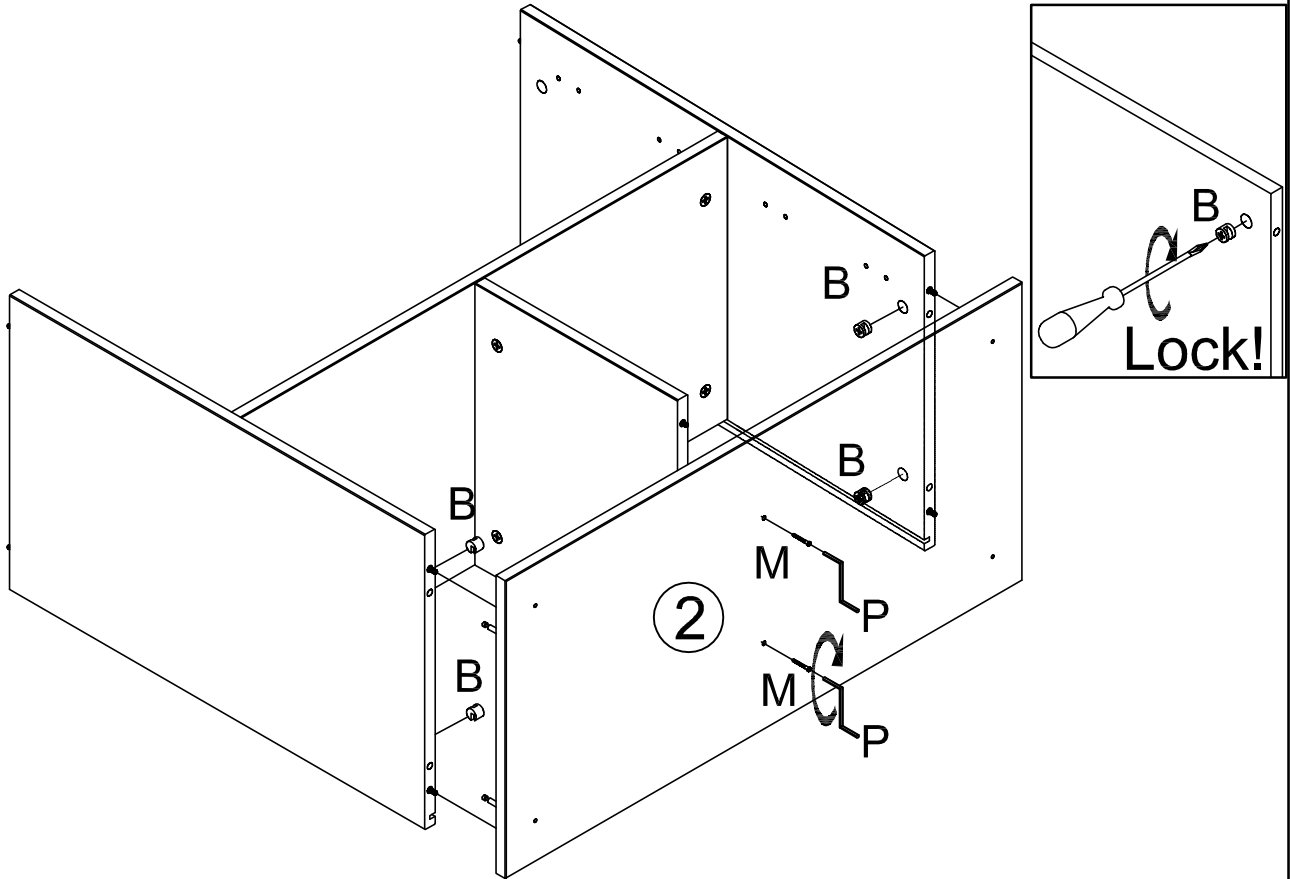
using allen key **P**.

Then insert locking

nut **B**. Lock using

Phillips head

screwdriver



Step 8C

In this step use these fittings:

Hx4

Dx4

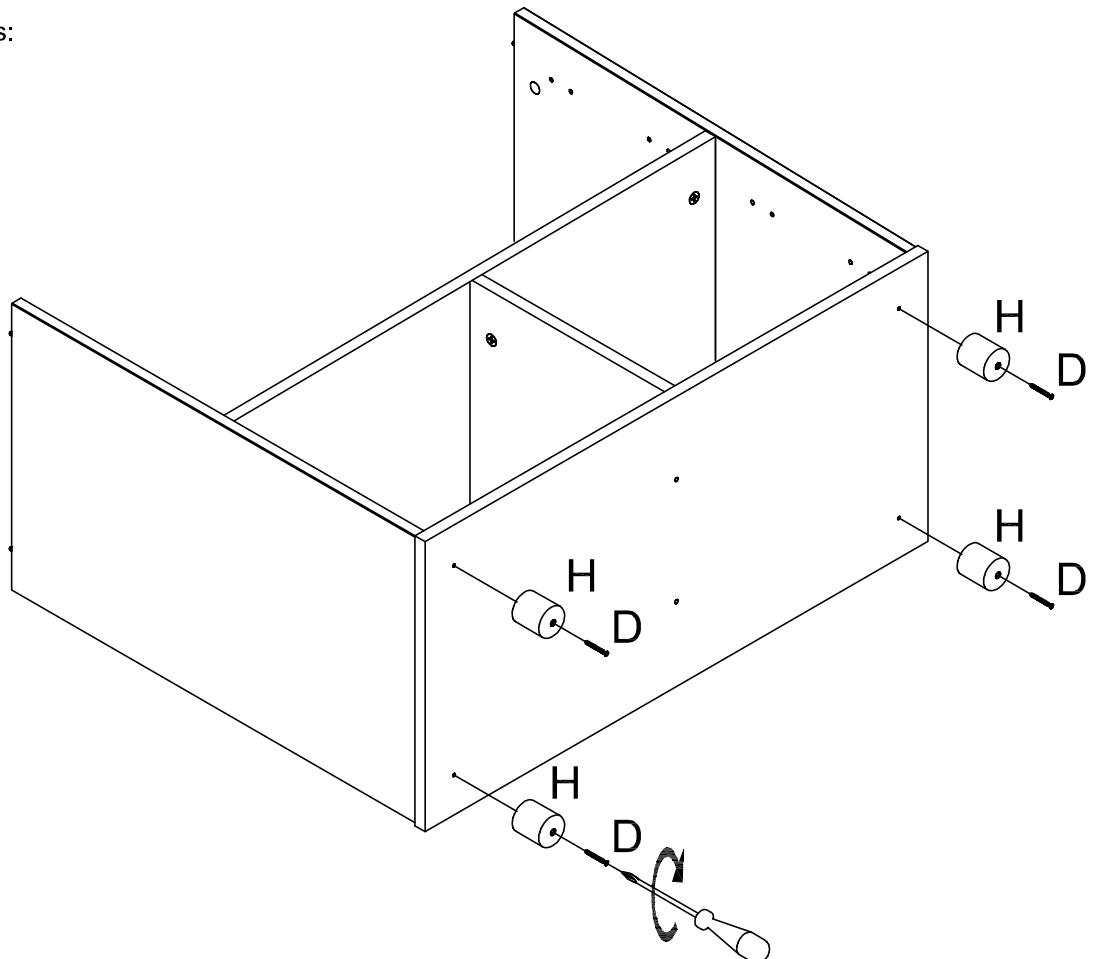
Assemble legs.

Screw legs **H** into

place with screws **D**

using Phillips head

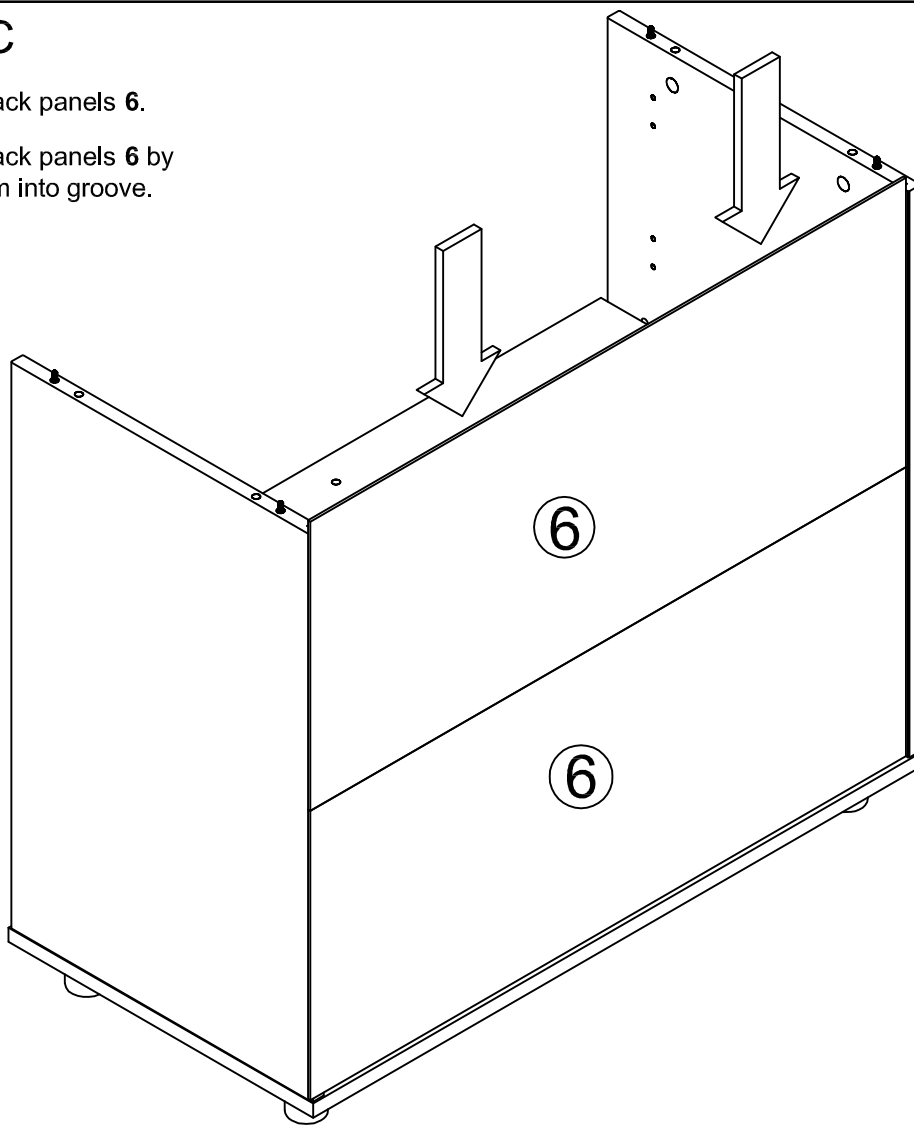
screwdriver.



Step 9C

Assemble back panels 6.

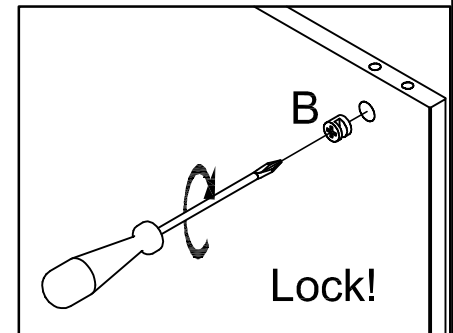
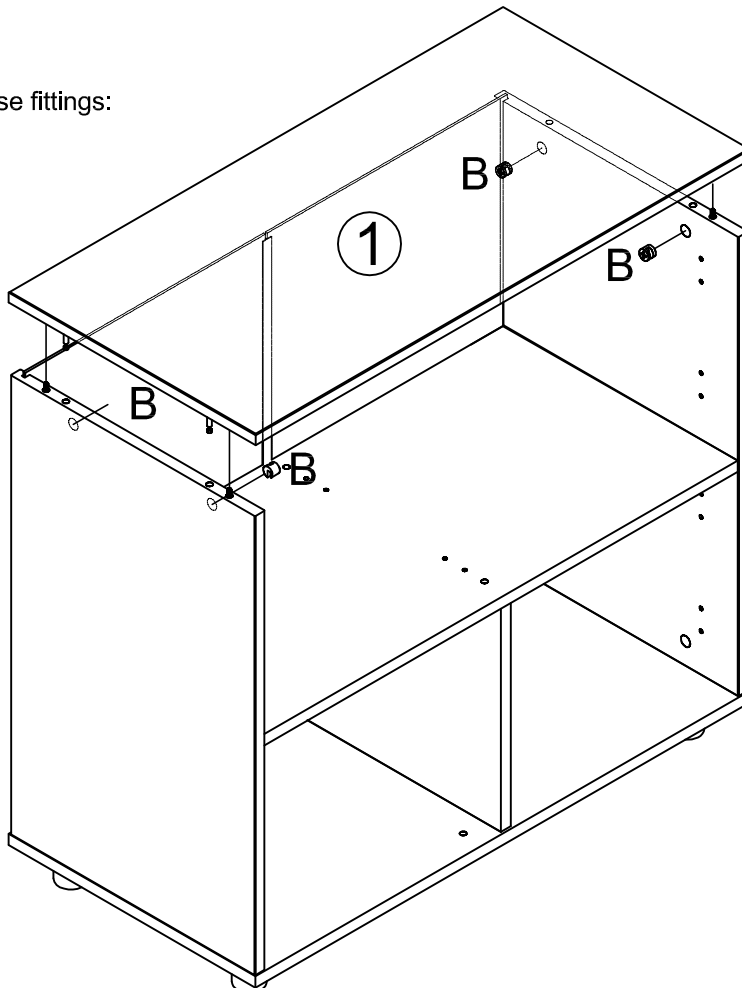
Assemble back panels 6 by pushing them into groove.



Step 10C

In this step use these fittings:
Bx4

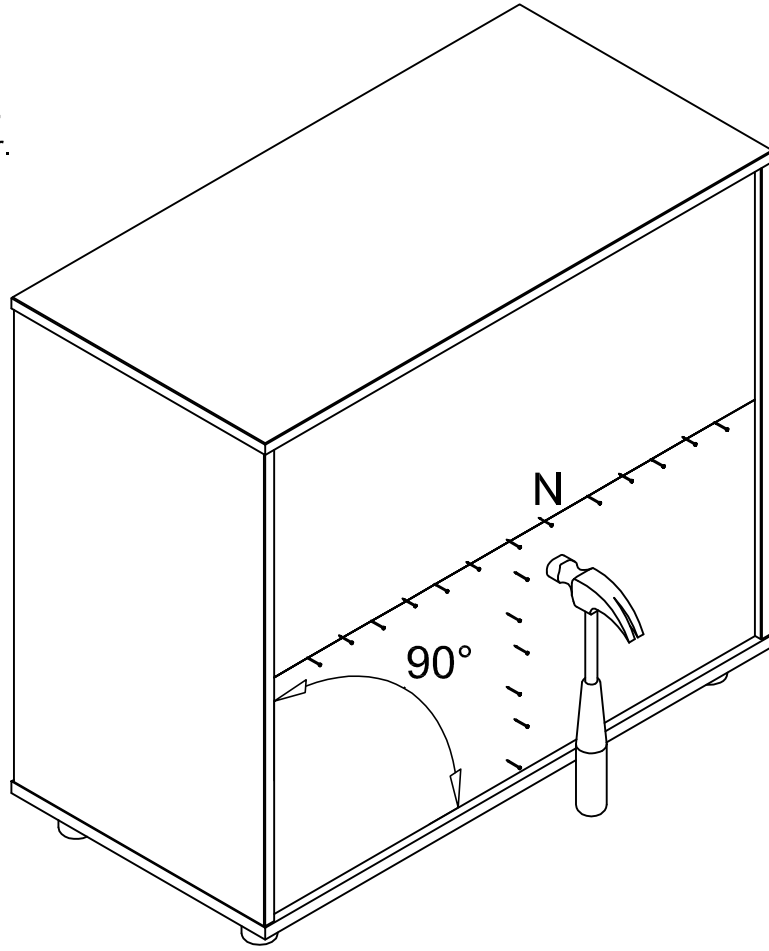
Assemble top 1
Push sides 4 and top 1 together, insert locking nuts **B**.
Lock using Phillips head screwdriver.



Step11C

In this step use these fittings:
Nx12

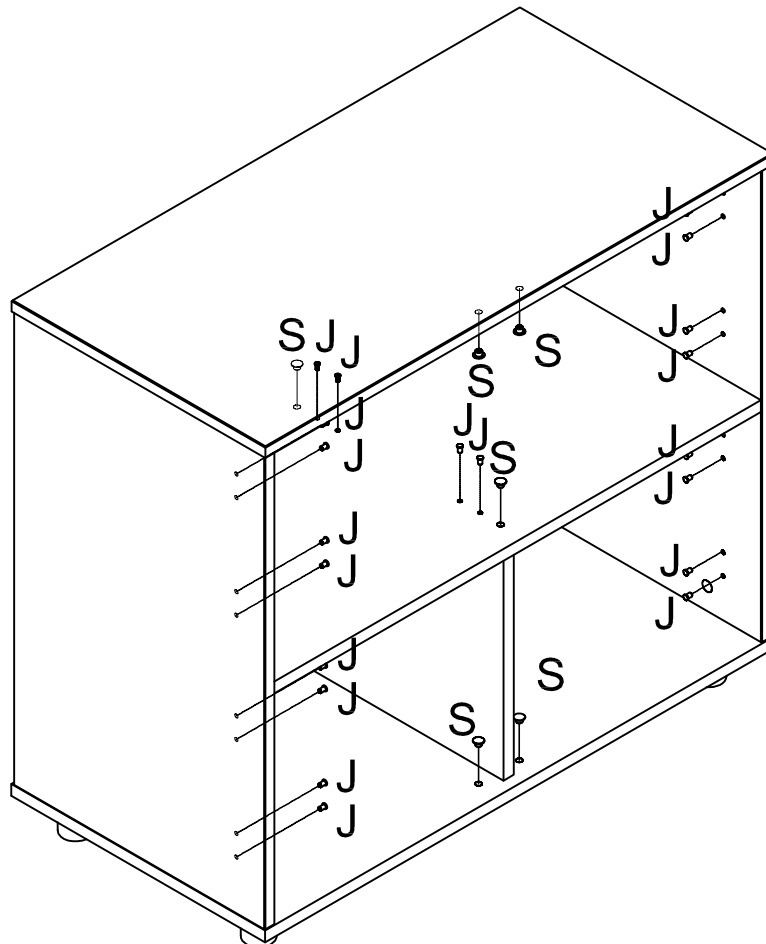
Fasten back panel **6** to partition panel **5**
and self **3** with nails **N** by using hammer.



Step12C

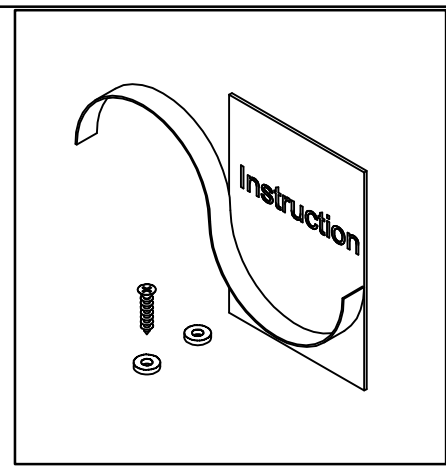
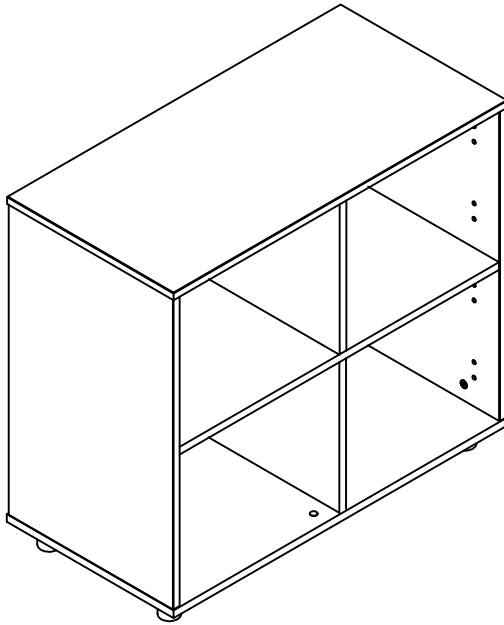
In this step use these fittings:
Jx20
Sx6

Cover the unused hinge holes using the
cover cap **J** and **S**.



Step 13

22/24

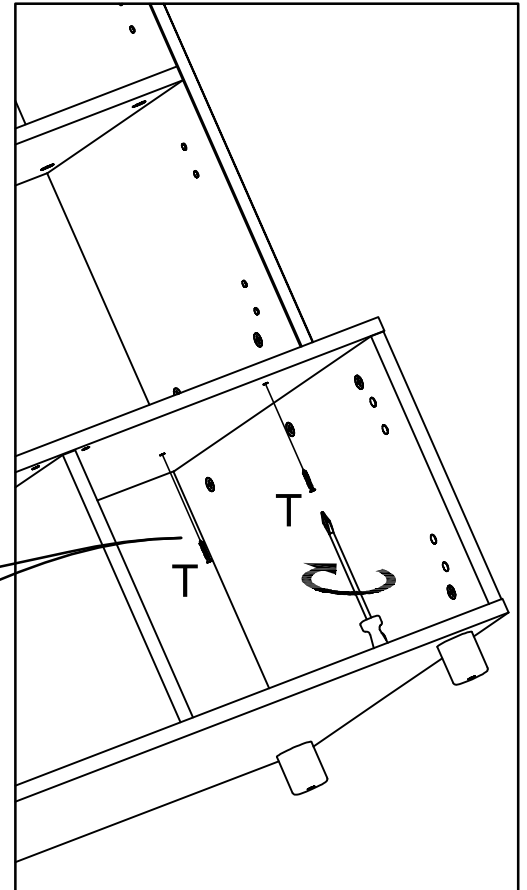
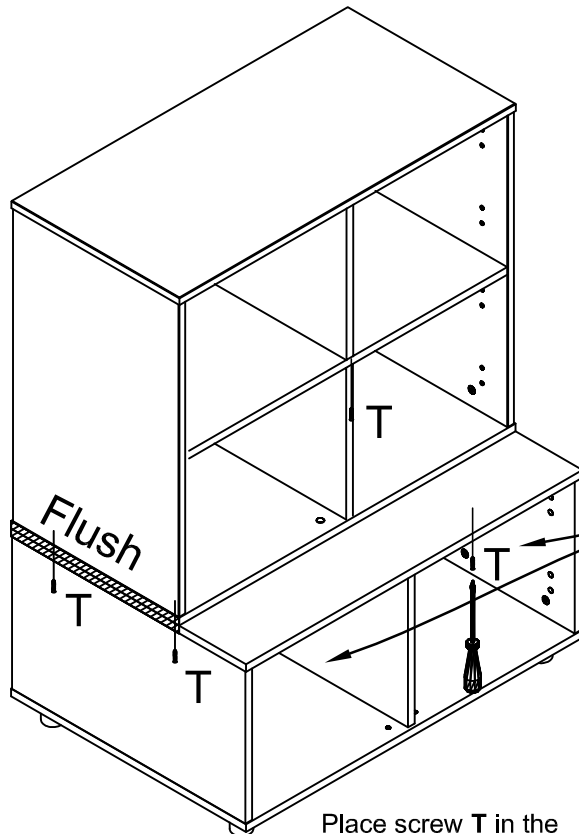


ATTENTION!
ATTACHING TO WALL.
IF YOU ARE STACKING UNITS ON TOP OF EACH OTHER IT IS ESSENTIAL FOR YOUR CHILDREN'S SAFETY THAT YOU FOLLOW THE INSTRUCTIONS IN THE BAG WITH THE SAFETY STRAP.

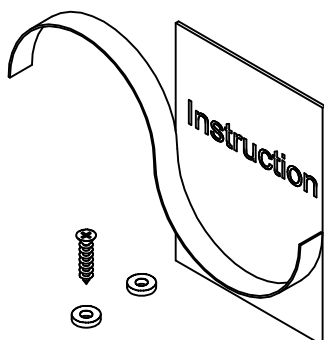
Step 14 (optional)

In this step use these fittings:
Tx4

Stacking Deep 2 Cube Base Unit on top of Multi Cube Unit. If you wish to place Deep 2 Cube Base Unit on top of Multi Cube Unit you should make sure that side edges are flush.



Place screw T in the predrilled holes in the top front and rear in both ends and tighten with a screwdriver.



ATTENTION!
ATTACHING TO WALL.
IF YOU ARE STACKING UNITS ON TOP OF EACH OTHER IT IS ESSENTIAL FOR YOUR CHILDREN'S SAFETY THAT YOU FOLLOW THE INSTRUCTIONS IN THE BAG WITH THE SAFETY STRAP.

Customer Notice

Dear Customer,

Congratulations on the recent purchase of your furniture!

Customer Service:

For missing or spare parts requests please contact us Monday to Friday – 10am to 3pm in one of the following ways:

Phone: 0844 8008475

Email: spares@stompa.com

Please inform: product, colour, where did you buy it, part no, quantity and reason for request. We need your full name, address and telephone number.

Fax: Please complete the enclosed Service Form and fax to 0560 1132071

By post: Please complete the enclosed Service Form and post to:

Nordika Design Ltd t/a Stompa
High Rigg
Panorama Drive
Ilkley, LS29 9RA

We will do our utmost to supply spare parts within 7-10 working days of receipt of request.

Our quality control team has ensured a high quality product that we are sure you will be pleased with. All our furniture is produced from solid wood which contains knots and may have surface defects which are a feature of a natural product.

Customer Service Form

Please return complete to

Fax: 0560 1132071

Name: _____

Address: _____

Contact No: _____

Date of purchase: _____

Place of purchase: _____

Product Name: _____

See assembly instructions

Problem _____

Parts Needed:	<u>Part No.</u>	<u>Quantity</u>	Description
Please quote assembly instruction letter or number	_____	_____	e.g drawer base
	_____	_____	_____
	_____	_____	_____
	_____	_____	_____
	_____	_____	_____