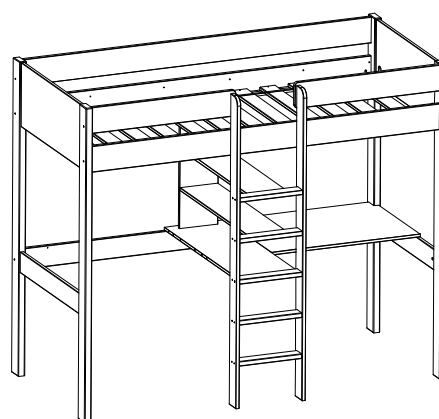
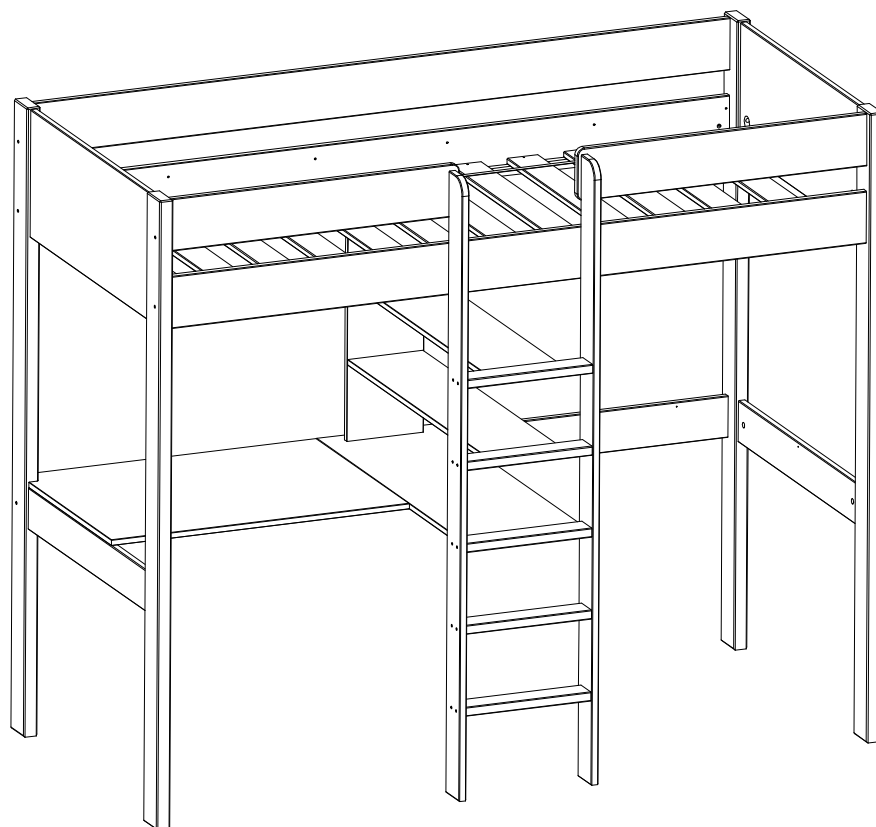


Stompa Highsleeper

Assembly instructions - please keep for future reference

Factory code:



Dimensions

Width - 208.2 cm

Depth - 98.2/105.1 cm

Height - 174.4 cm

Important - Please read these instructions fully before starting assembly

If you need help or have damaged or missing parts, call the **Customers Helpline: 0844 8008475**



Safe and Care Advice

Important - Please read these instructions fully before starting assembly

- Check you have all the components and tools listed on page 2 and 3.
- Remove all fittings from the plastic bags and separate them into their groups.
- Keep children and animals away from the work area, small parts could choke if swallowed.
- Make sure you have enough space to lay out the parts before starting.

- Do not stand or put weight on the product, this could cause damage.
- Assemble the item as close to its final position (in the same room) as possible.
- Assemble on a soft level surface to avoid damaging the unit or your floor.
- Parts of the assembly will be easier with 2 people.



- We do not recommend the use of power drills/drivers for **inserting screws**, as this could damage the unit. Only use hand screwdrivers.
- Dispose all packaging carefully and responsibly.

Glue safety - Take care when using glue, please follow the advice below

Skin contact: Remove contamination by washing with soap and water. This procedure should also be followed prior to eating and drinking.

Eye contact: Rinse immediately with clean water for 15 minutes and seek medical advice.

If swallowed: Seek medical advice immediately.

Care and maintenance

• Only clean using a damp cloth and mild detergent, do not use bleach or abrasive cleaners.

• From time to time check that there are no loose screws on this unit.

• This product should not be discarded with household waste. Take to your local authority waste disposal centre.

(GB) IMPORTANT, READ CAREFULLY - RETAIN FOR FUTURE REFERENCE

- Current legislation requires that the bunkbed must be fitted with a ladder or platform for the upper bunk bed.
- The bunk bed meets the European EN 747-1:2007 standards for security and durability.

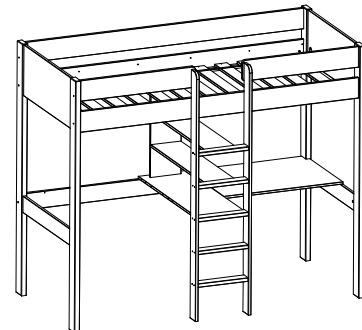
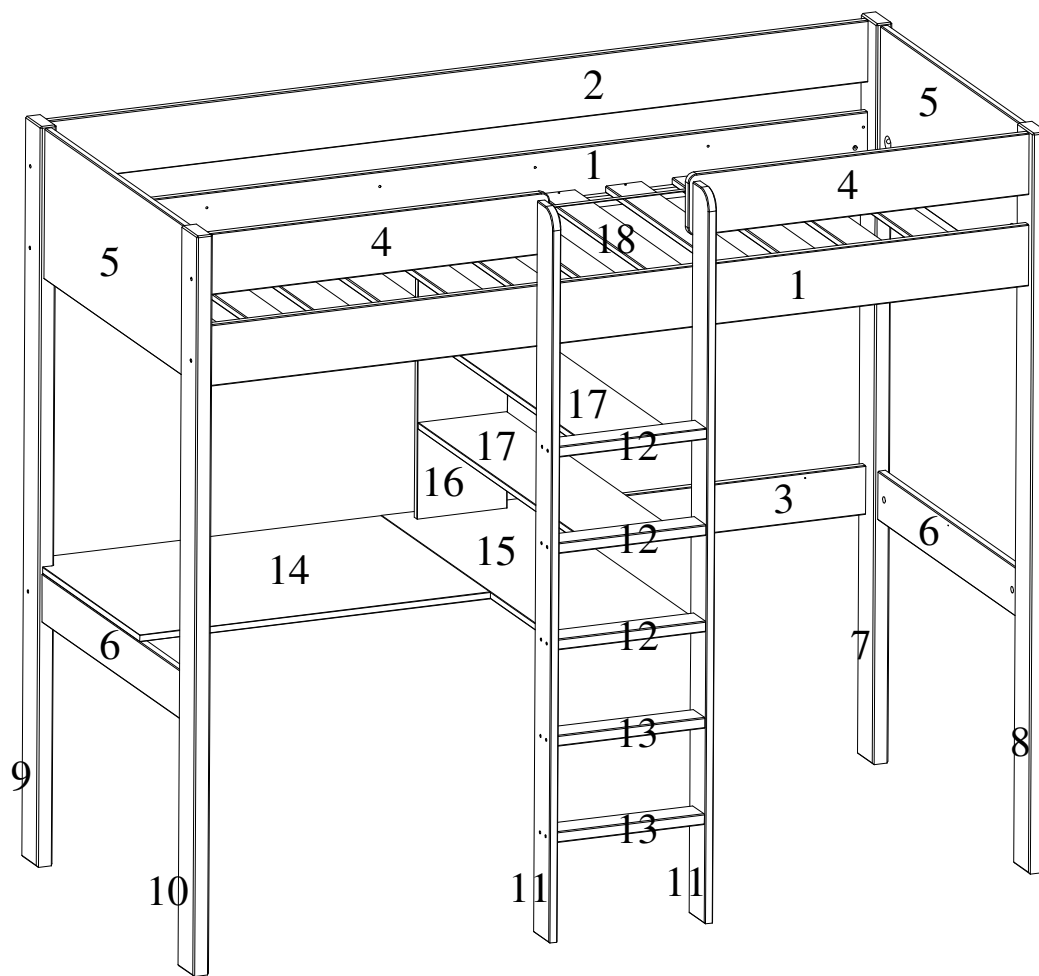
• **Mattress:** This bed is designed to use a mattress size 200 cm long and 90 cm wide. The total thickness must not exceed 16.1 cm. The label on the ladder side indicates maximum height of mattress to be used in this bed.

- **Important:** High beds and the upper bed of a bunk are not suitable for children under six years due to the risk of injury from falls.
- Do not use the bed if any structural part is broken or missing.
- Be aware that children can strangle in items such as ropes, strings, cords, harnesses and belts attached to or hung on a bunk bed/high bed.

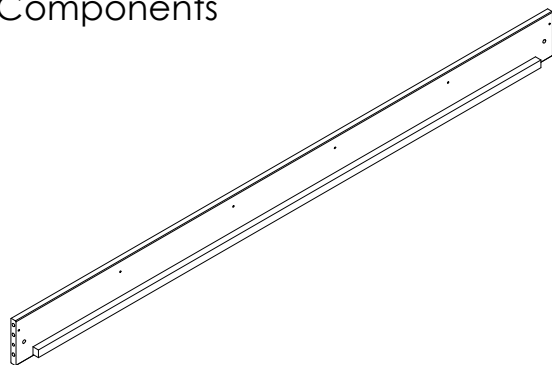
WARNING

- Children can become trapped between the bed and the wall.
- To avoid risk of serious injury the distance between the top safety barrel and the wall shall not exceed 75 mm or shall be more than 230 mm.

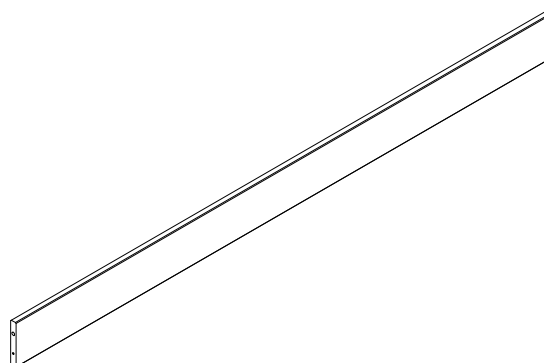
Note: if required the next page can be cut out and used as reference throughout the assembly. Keep this page with these instructions for future reference.



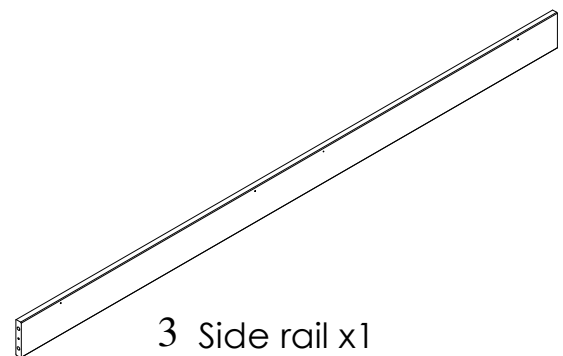
Components



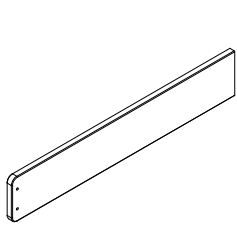
1 Bed rail x2
(200,6x14,5x2 cm)



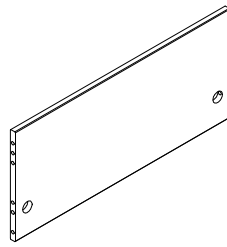
2 Side rail x1
(200,6x14,5x2 cm)



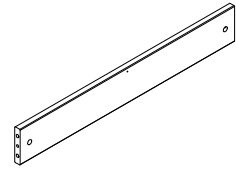
3 Side rail x1
(200,6x11,5x2 cm)



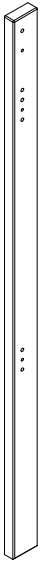
4 End rail x2
(88,3x14,5x2 cm)



5 End rail x2
(80,2x35,5x1,9 cm)



6 End rail x2
(80,2x11,5x2 cm)



7 Leg x1
(174,4x9x3,8 cm)



8 Leg x1
(174,4x9x3,8 cm)



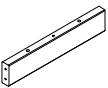
9 Leg x1
(174,4x9x3,8 cm)



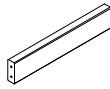
10 Leg x1
(174,4x9x3,8 cm)



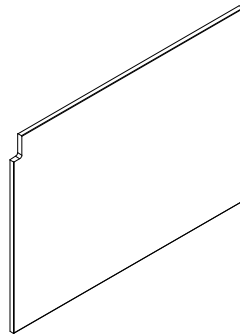
11 Ladder side x2
(172x9x2 cm)



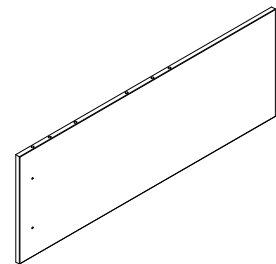
12 Step x3
(36x6,8x2,5 cm)



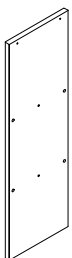
13 Step x2
(36x6,8x2,5 cm)



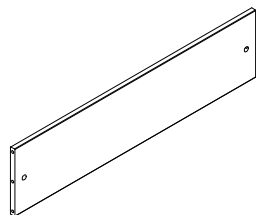
14 Large desk top x1
(95,7x34,8x1,6 cm)



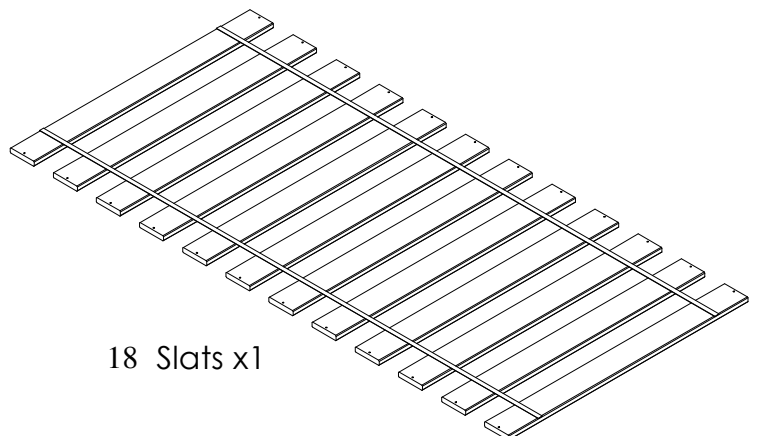
15 Small desk top x1
(85,8x62,5x1,6 cm)



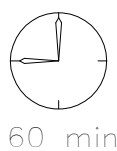
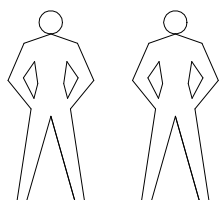
16 Vertical shelf support x1
(69,9x22,1x1,6 cm)



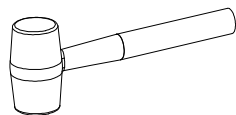
17 Shelf x2
(90x21,8x1,6 cm)



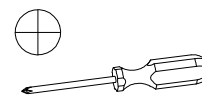
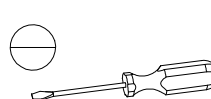
18 Slats x1



60 min



Tools needed (not supplied)



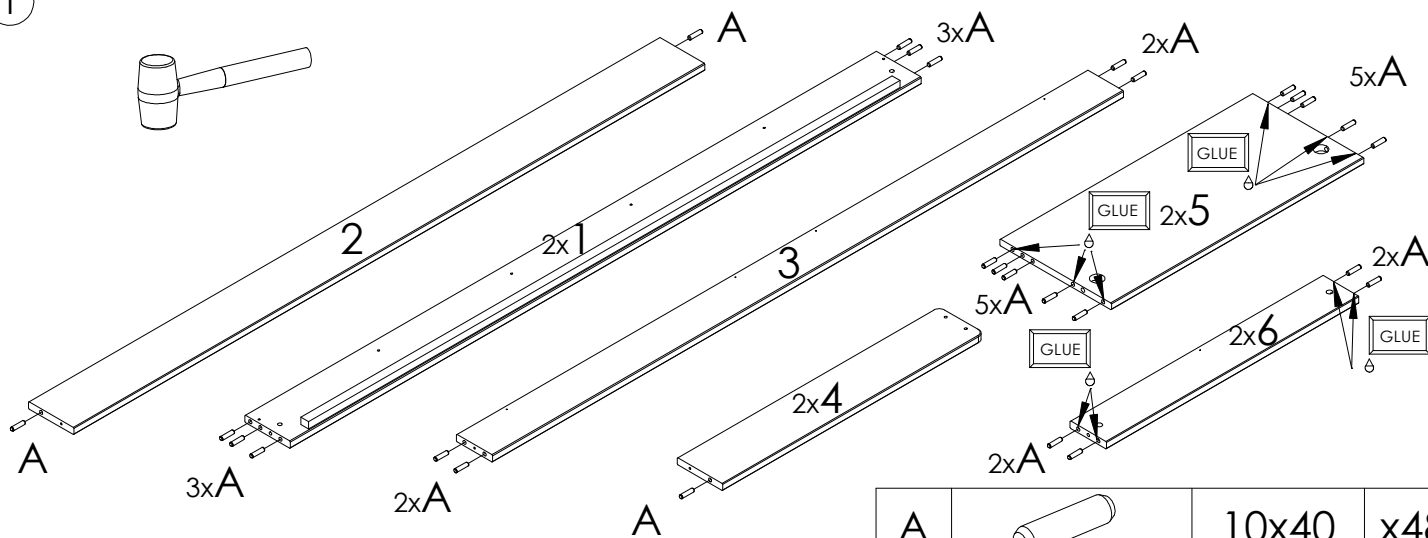
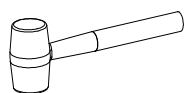
| | | | |
|---|--|----------|-----|
| A | | 10x40 | x48 |
| B | | 6,3x70 | x4 |
| C | | 6,3x80 | x2 |
| D | | M6x75 | x4 |
| E | | M6x10x13 | x4 |
| F | | 15x12 | x4 |
| G | | 7x34 | x4 |
| H | | 7x60 | x4 |
| J | | D35 | x4 |

| | | | |
|---|--|-----------|-----|
| K | | 7x50 | x20 |
| L | | 55x12,5x5 | x6 |
| M | | 3,5x40 | x24 |
| N | | D4x13 | x20 |
| P | | D15x18x3 | x4 |
| R | | D15x18 | x10 |
| | | GLUE | x1 |
| | | 4mm | x1 |

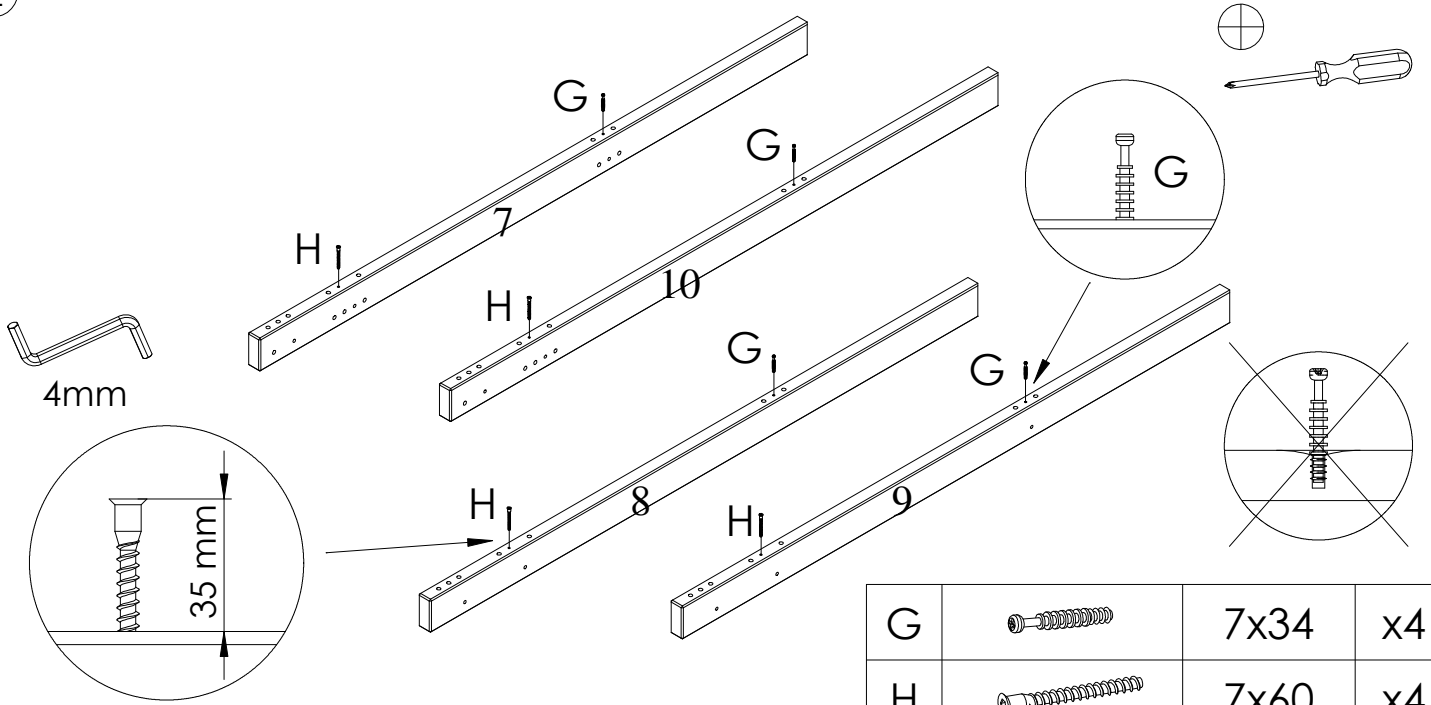
| | | | |
|----|--|--------|-----|
| A1 | | 8x30 | x14 |
| B1 | | 15x12 | x7 |
| C1 | | 7x34 | x7 |
| D1 | | 3,5x35 | x2 |
| E1 | | 5x38 | x2 |



| | | | |
|----|--|----------|----|
| F1 | | D4x17 | x4 |
| G1 | | D8x13 | x6 |
| H1 | | 21x21x16 | x4 |
| J1 | | 3,5x15 | x8 |

①

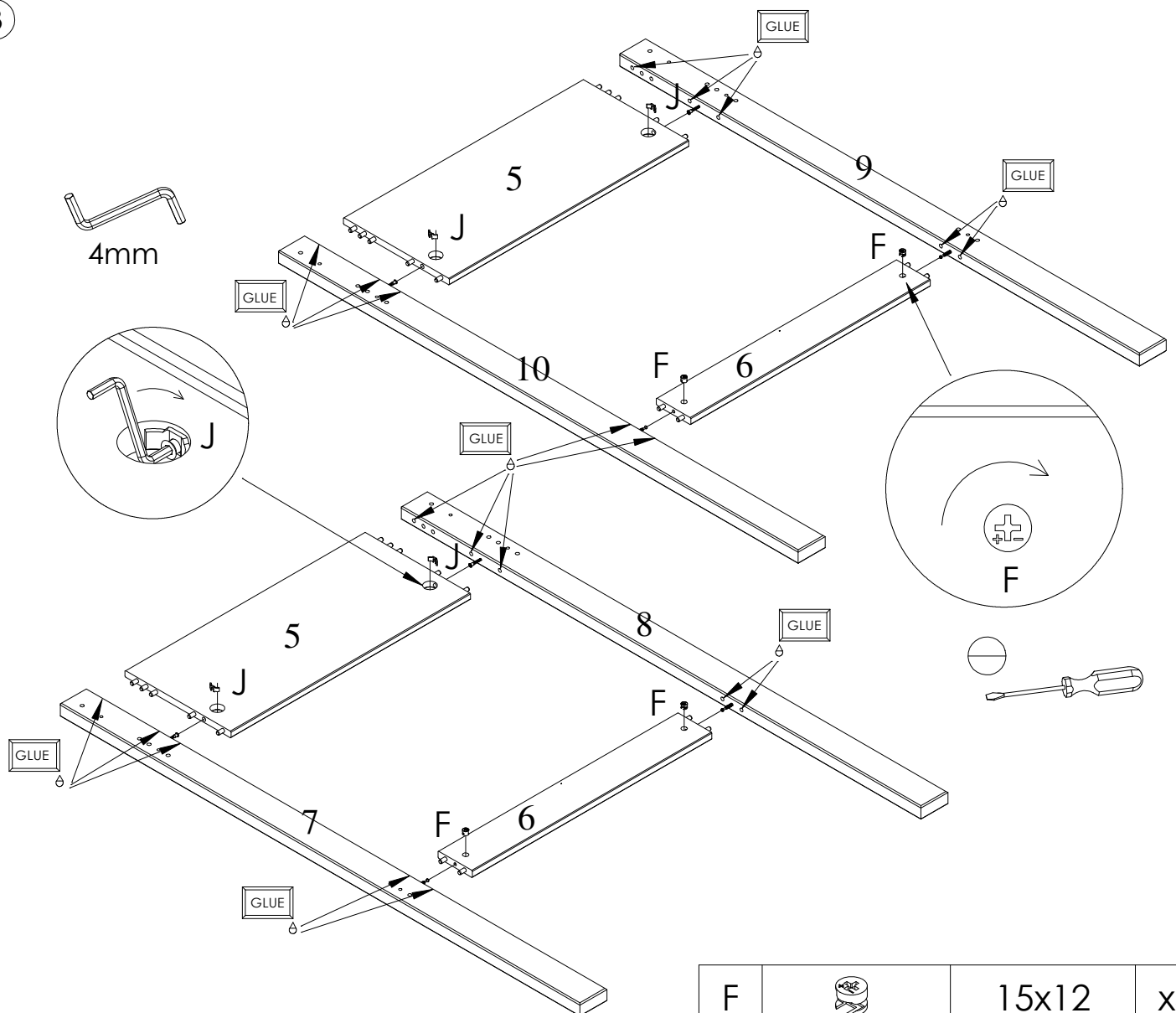




2



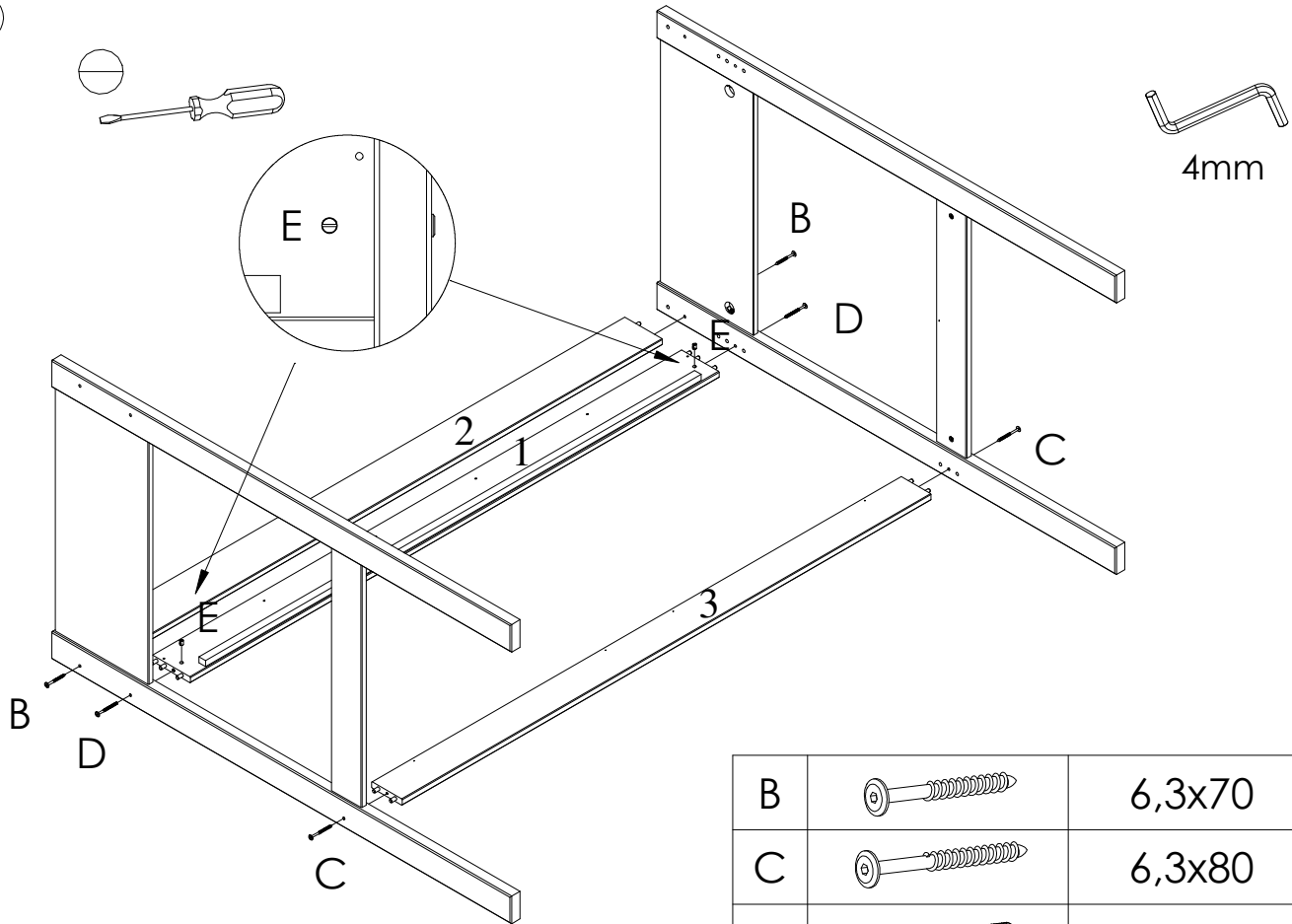
| | | | |
|---|---|------|----|
| G |  | 7x34 | x4 |
| H |  | 7x60 | x4 |

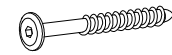
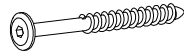


3



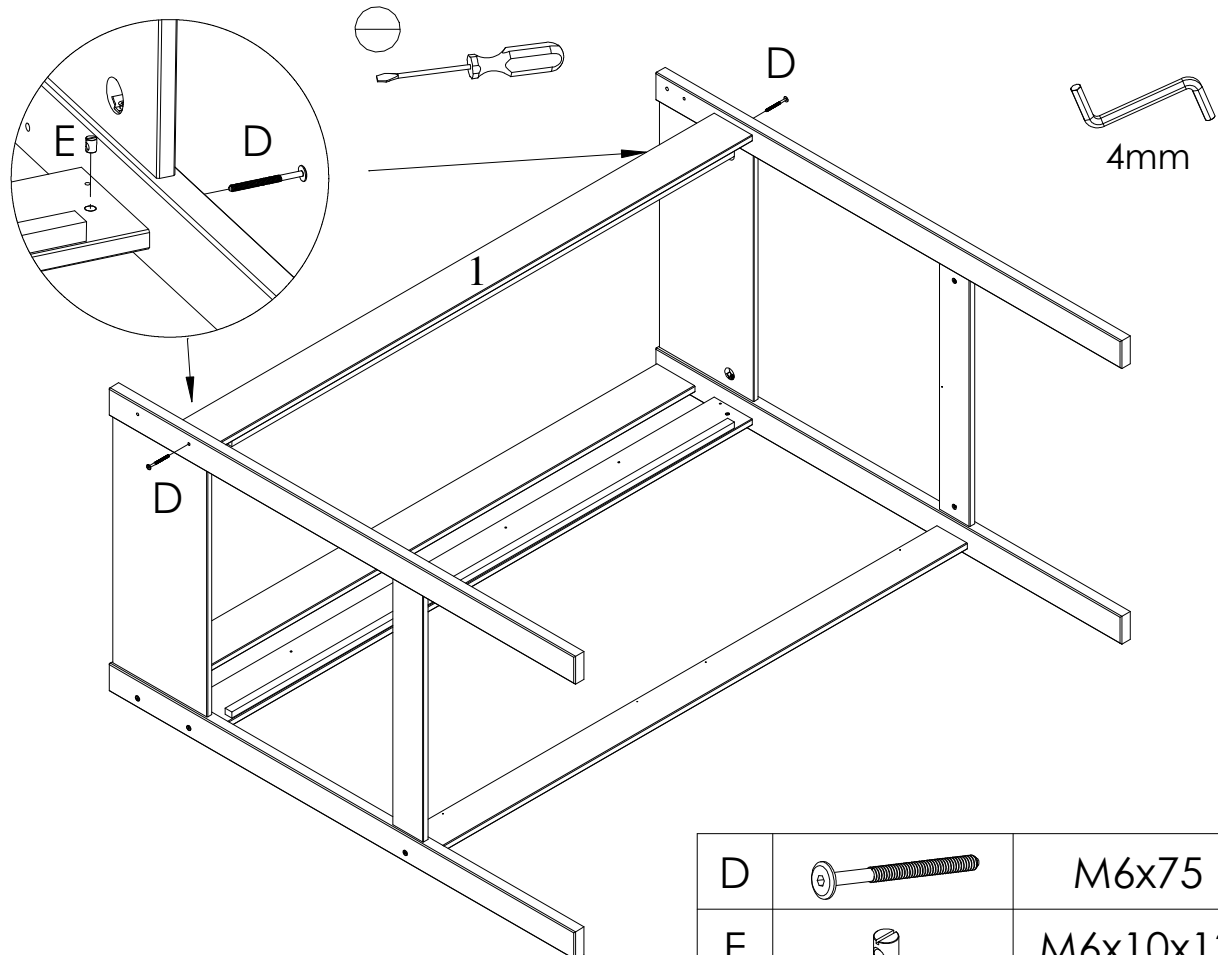
| | | | |
|---|---|-------|----|
| F |  | 15x12 | x4 |
| J |  | D35 | x4 |



④



| | | | |
|---|---|----------|----|
| B |  | 6,3x70 | x2 |
| C |  | 6,3x80 | x2 |
| D |  | M6x75 | x2 |
| E |  | M6x10x13 | x2 |

⑤



| | | | |
|---|---|----------|----|
| D |  | M6x75 | x2 |
| E |  | M6x10x13 | x2 |

6

4x A1

2x A1

2x A1

2x 17

2x A1

| | | | |
|----|--|------|-----|
| A1 | | 8x30 | x14 |
|----|--|------|-----|

7

14

2x C1

16

C1

3x 12

| | | | |
|----|--|------|----|
| C1 | | 7x34 | x7 |
|----|--|------|----|

8

Decide where desk should be placed

14

15

B1

B1

| | | | |
|----|--|-------|----|
| B1 | | 15x12 | x2 |
|----|--|-------|----|

9

14

15

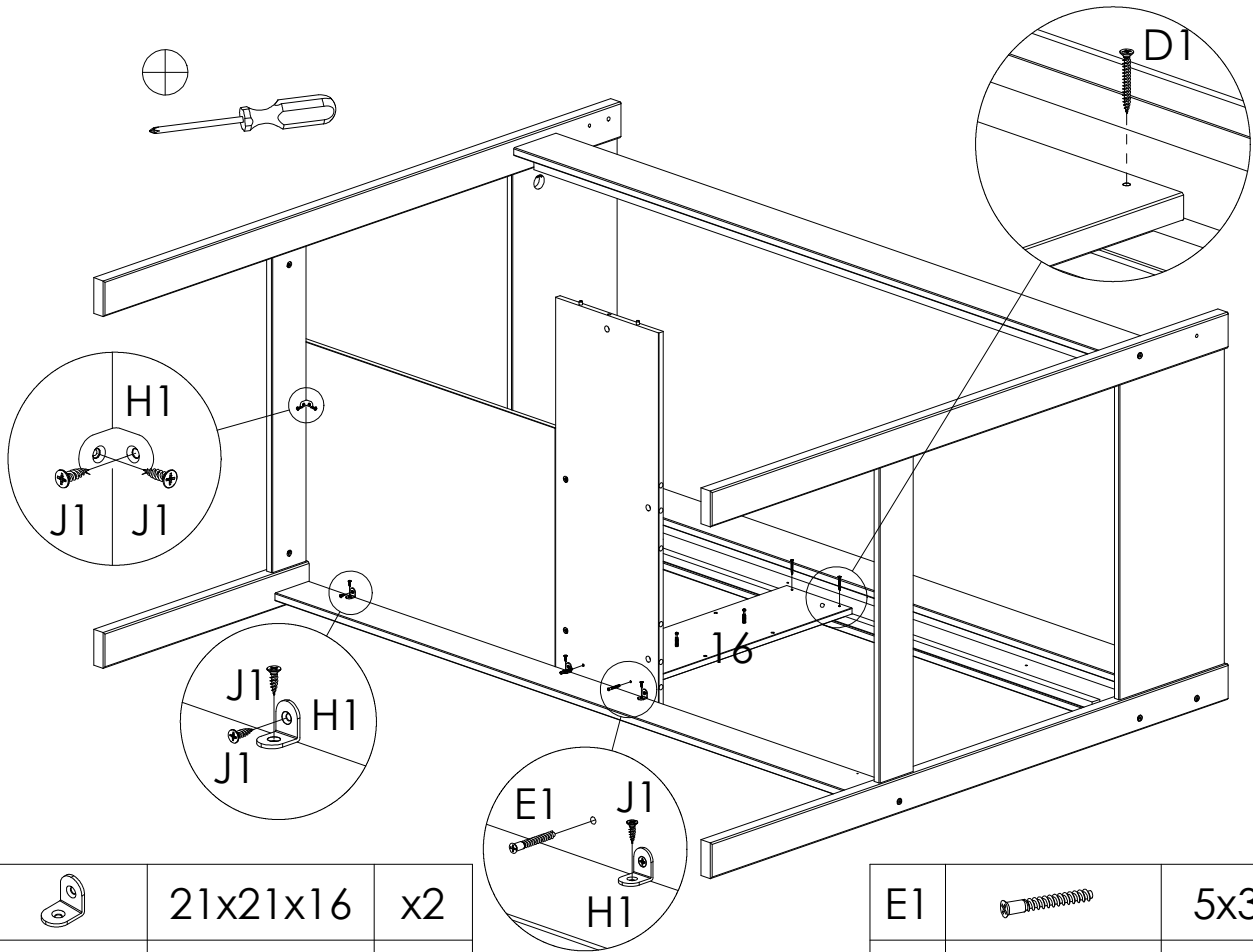
J1



H1



6x G1

| | | | |
|----|--|----------|----|
| G1 | | D8x13 | x6 |
| H1 | | 21x21x16 | x2 |
| J1 | | 3,5x15 | x2 |

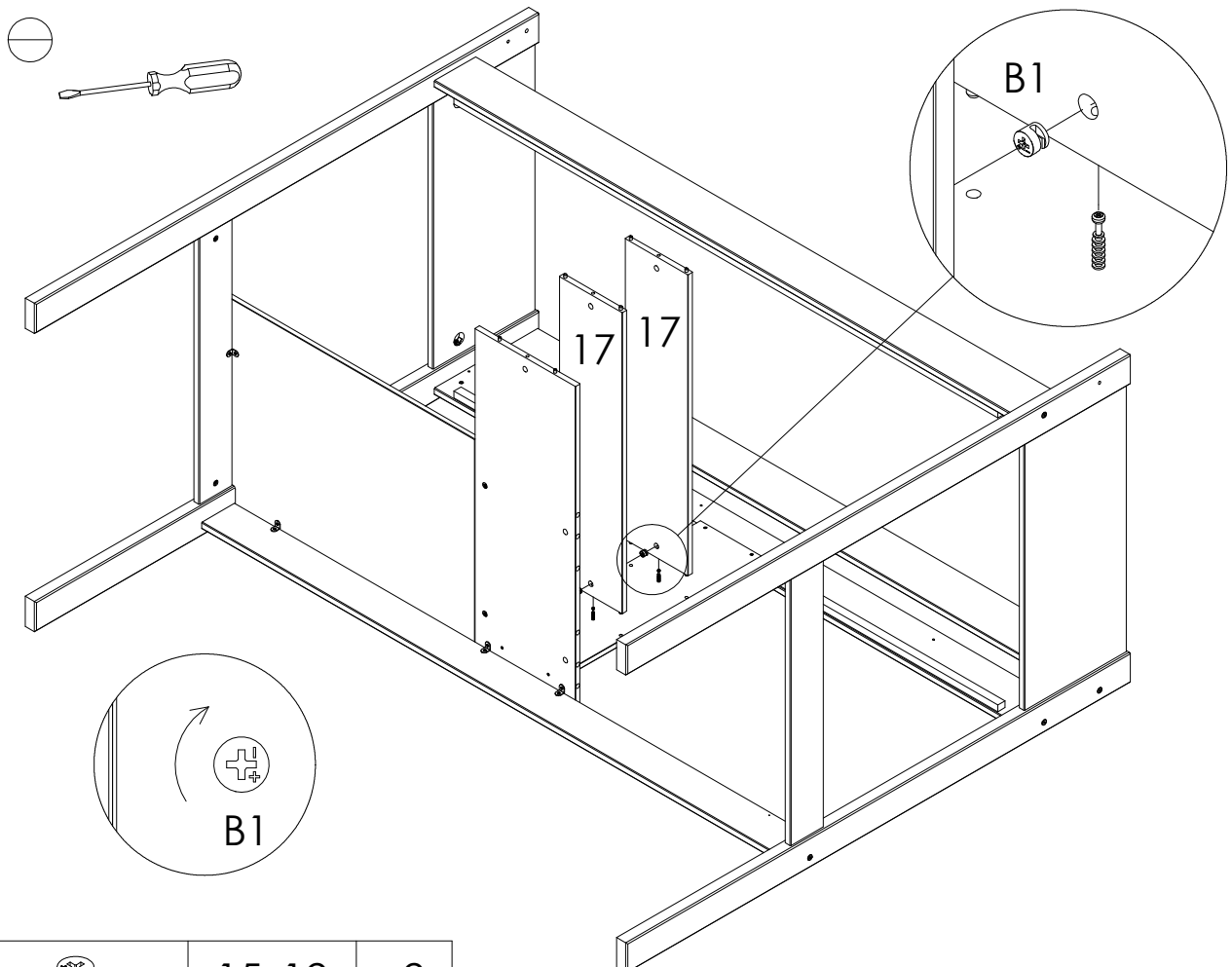
10



| | | | |
|----|---|----------|----|
| H1 |  | 21x21x16 | x2 |
| J1 |  | 3,5x15 | x6 |

| | | | |
|----|---|--------|----|
| E1 |  | 5x38 | x2 |
| D1 |  | 3,5x35 | x2 |

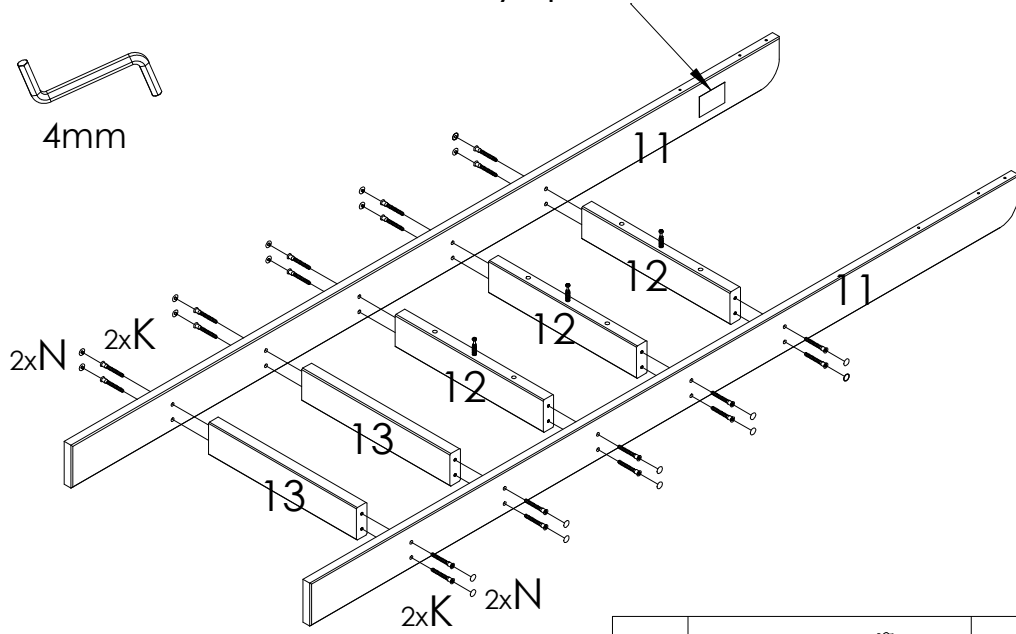
11





| | | | |
|----|---|-------|----|
| B1 |  | 15x12 | x2 |
|----|---|-------|----|

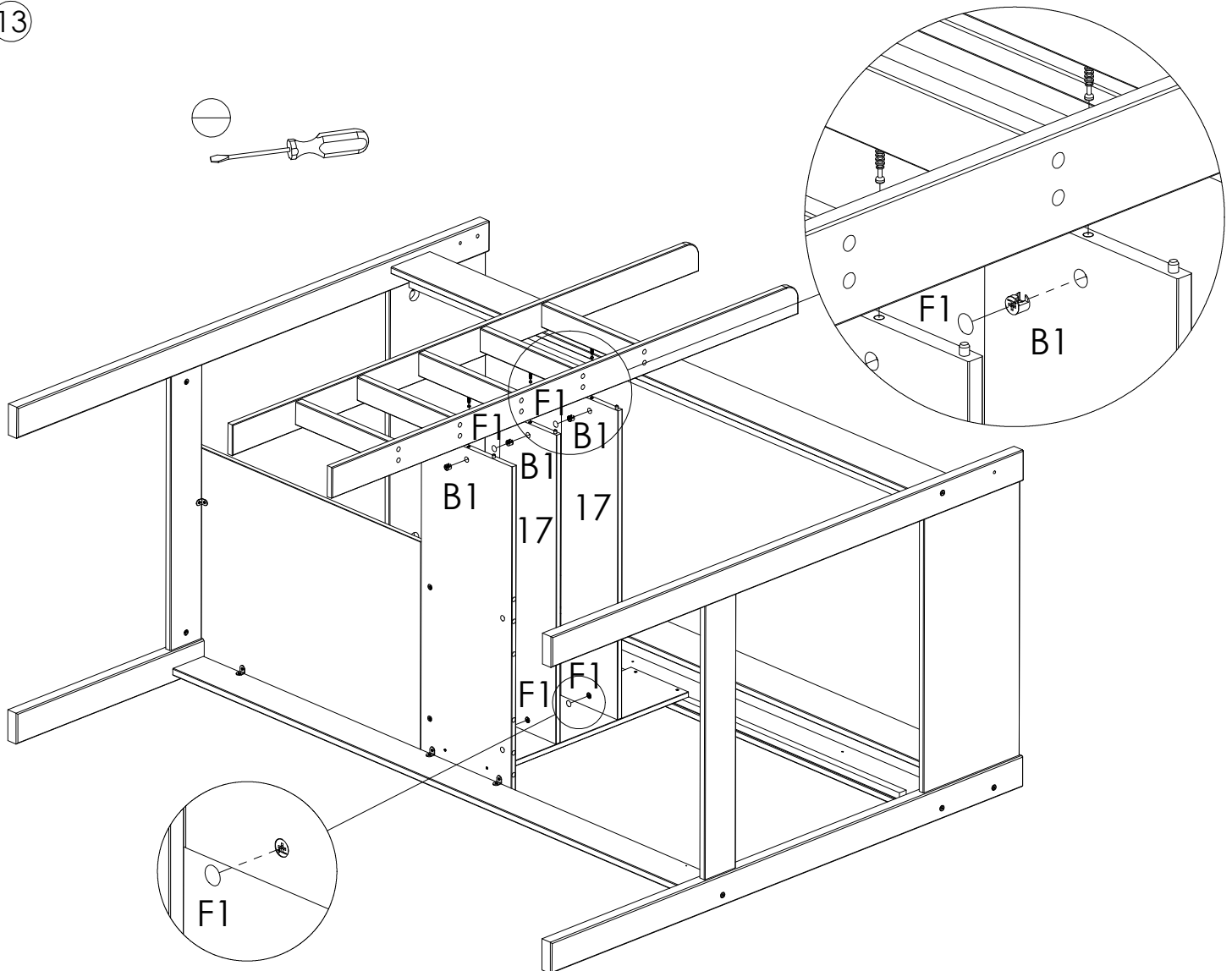
12

Always placed inside the ladder



| | | | |
|---|---|-------|-----|
| K |  | 7x50 | x20 |
| N |  | D4x13 | x20 |

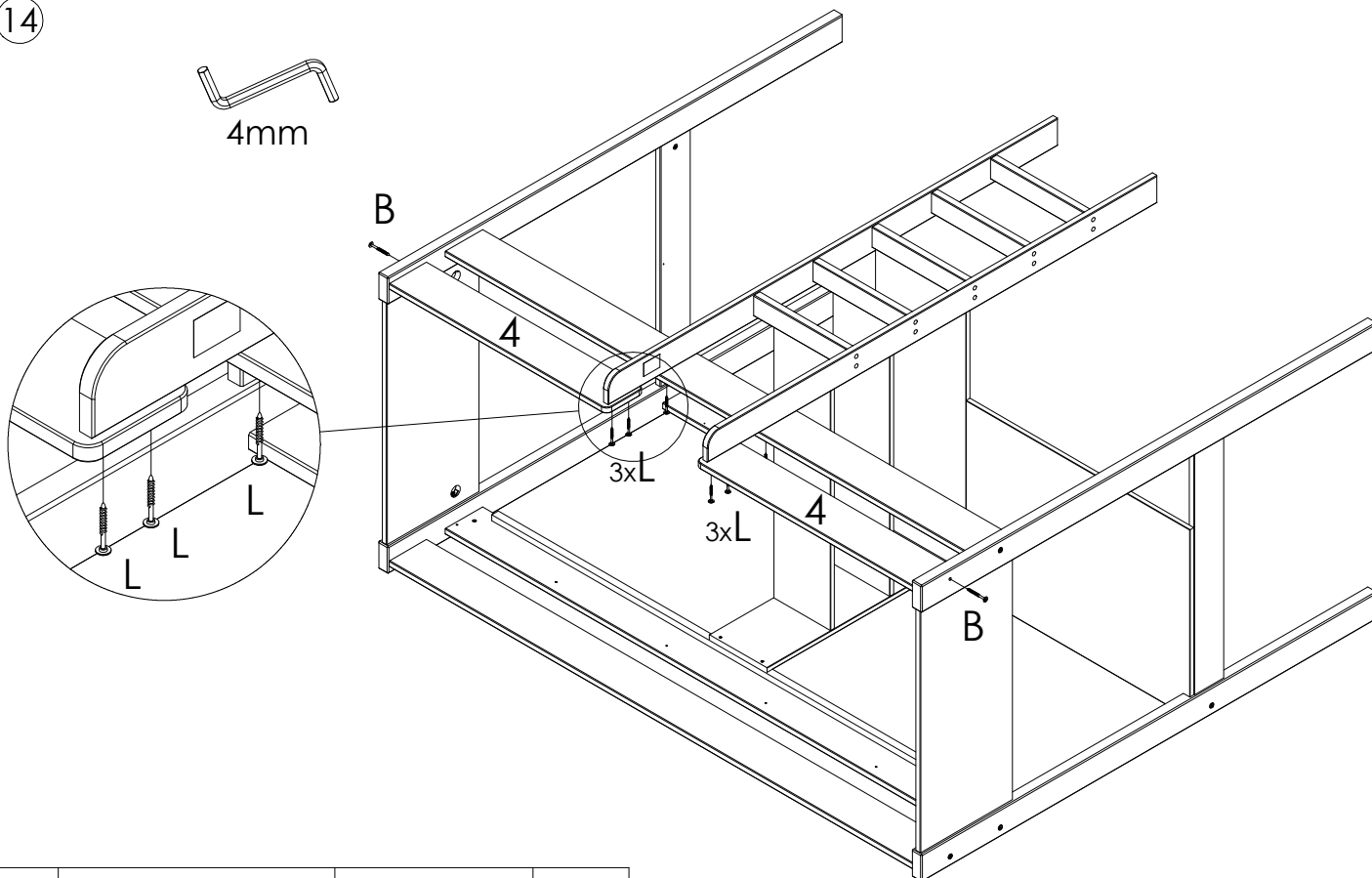
13


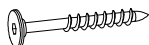


| | | | |
|----|---|-------|----|
| F1 |  | D4x17 | x4 |
|----|---|-------|----|

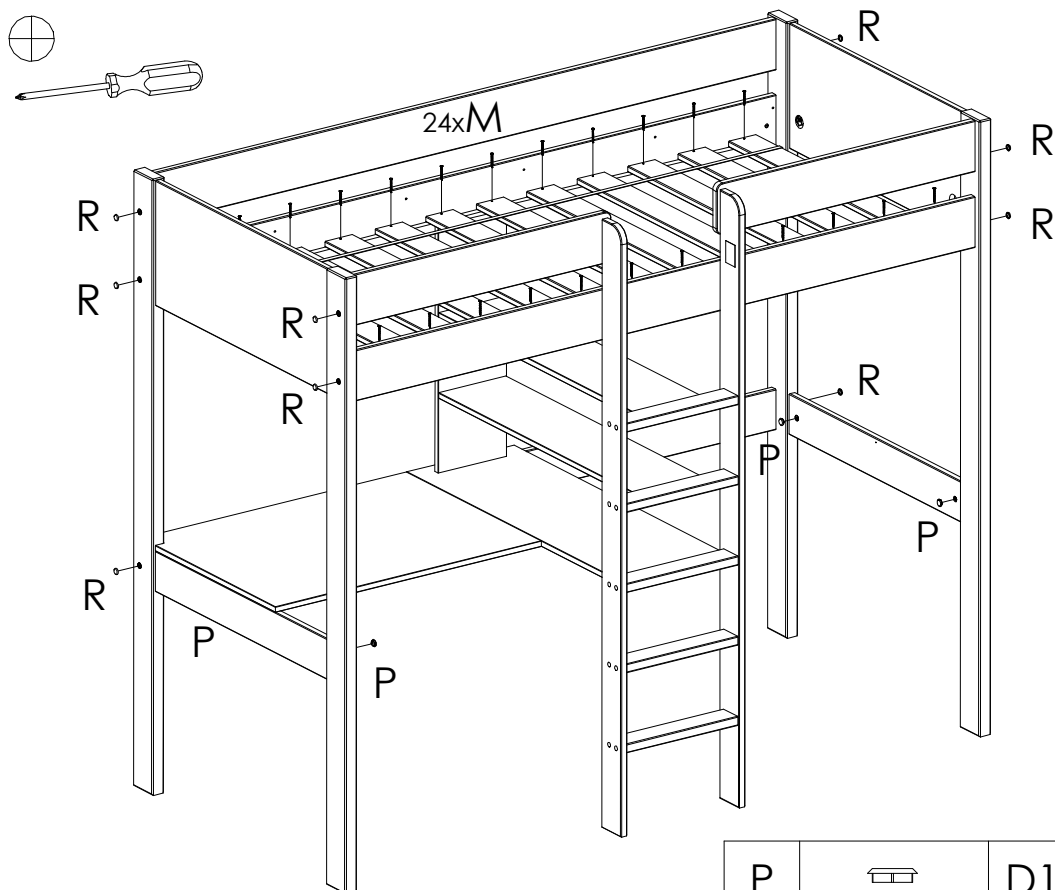
| | | | |
|----|---|-------|----|
| B1 |  | 15x12 | x3 |
|----|---|-------|----|

14

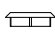



| | | | |
|---|---|-----------|----|
| B |  | 6,3x70 | x2 |
| L |  | 55x12,5x5 | x6 |

15



| | | | |
|---|---|--------|-----|
| M |  | 3,5x40 | x24 |
|---|---|--------|-----|

| | | | |
|---|---|----------|-----|
| P |  | D15x18x3 | x4 |
| R |  | D15x18 | x10 |

Assembly Instructions

Customer Notice

Dear Customer,

Congratulations on the recent purchase of your furniture!

Customer Service:

For missing or spare parts requests please contact us Monday to Friday – 10am to 3pm in one of the following ways:

Phone: 0844 8008475

Email: service@nordika.co.uk

Please inform: product, colour, where did you buy it, part no, quantity and reason for request. We need your full name, address and telephone number.

Fax: Please complete the enclosed Service Form and fax to 0560 1132071

By post: Please complete the enclosed Service Form and post to:

Nordika Design Ltd.
High Rigg
Panorama Drive
Ilkley, LS29 9RA

We will do our utmost to supply spare parts within 7-10 working days of receipt of request.

Our quality control team has ensured a high quality product that we are sure you will be pleased with. Any components produced from solid wood will contain knots and may have surface defects which are a feature of a natural product.

Customer Service Form

Please return complete to

Fax: 0560 1132071

Name: _____

Address: _____

Contact No: _____

Date of purchase: _____

Place of purchase: _____

Product Name: _____

See assembly instructions:

Problem: _____

| Parts Needed: | <u>Part No.</u> | <u>Quantity</u> | <u>Description</u> |
|---------------|-----------------|-----------------|--------------------|
|---------------|-----------------|-----------------|--------------------|

Please quote assembly
instruction or number

e.g drawer base
