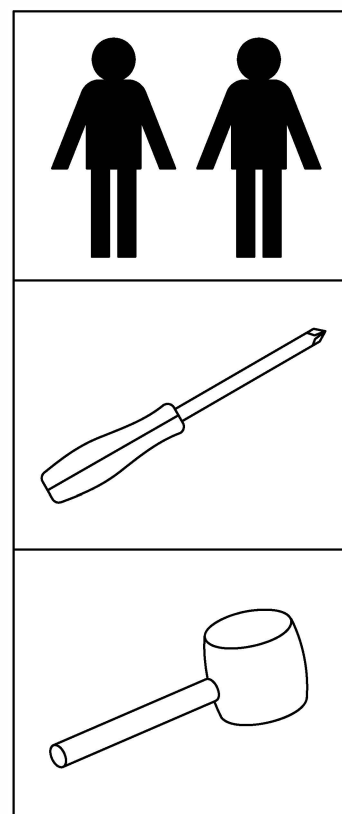
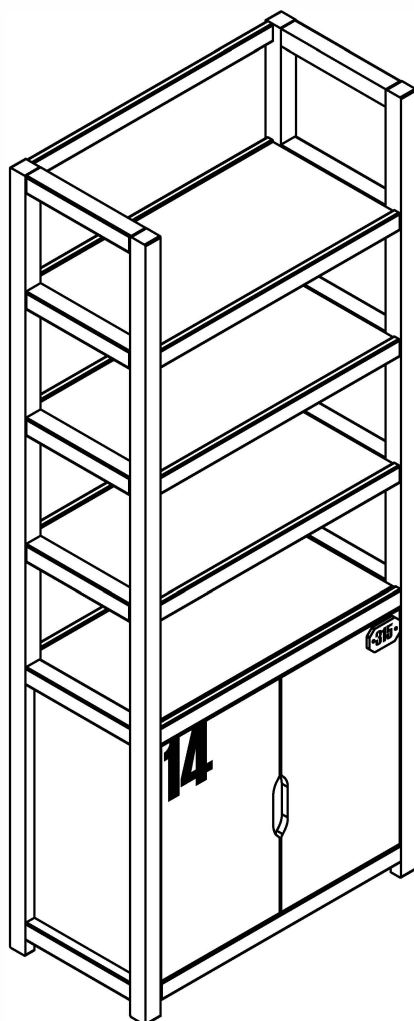
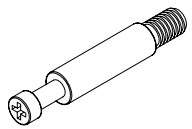
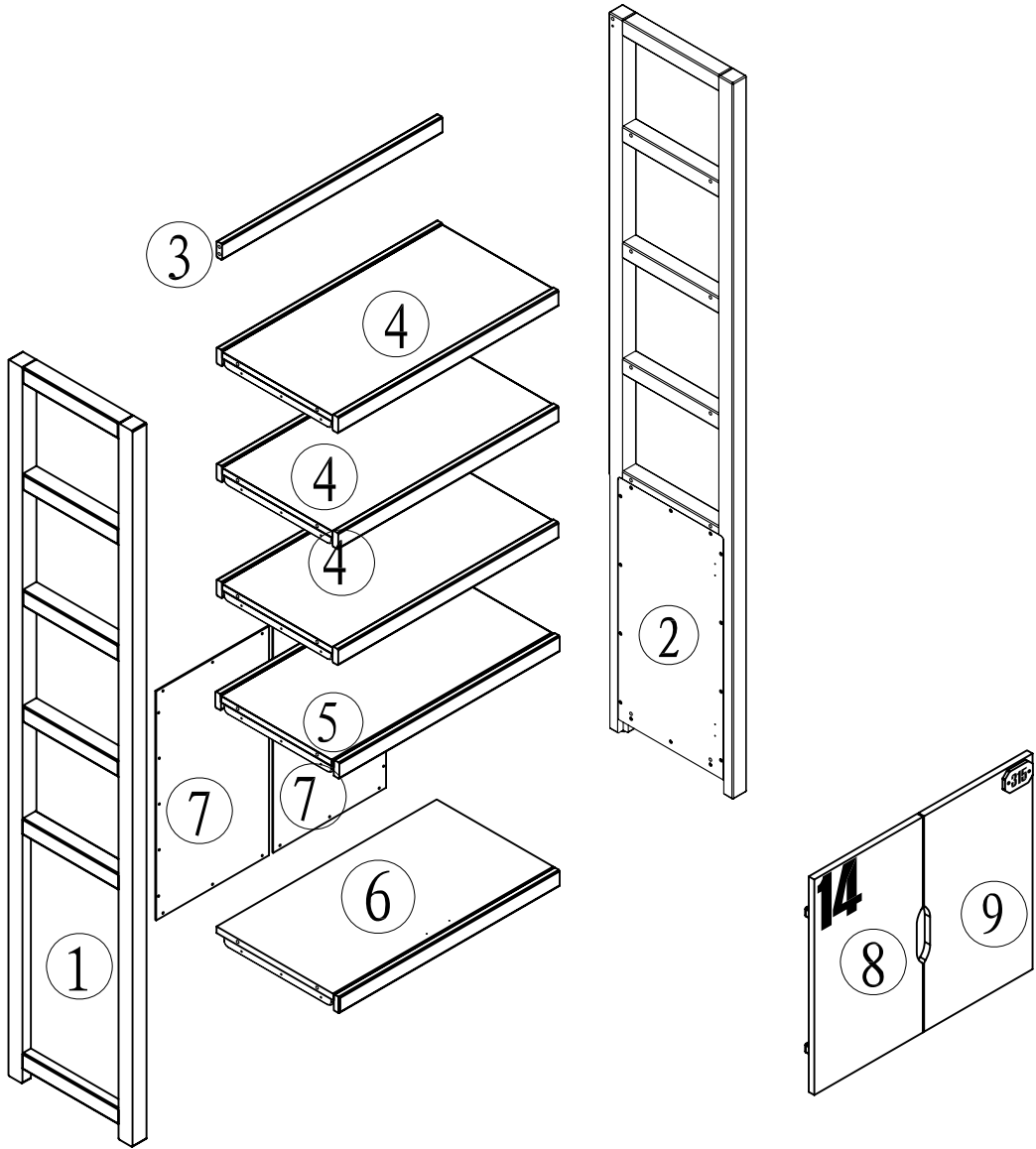


MONTAGE AANWIJZING
NOTICE DE MONTAGE
MONTAGE ANLEITUNG
ASSEMBLY INSTRUCTIONS



RB00174-1



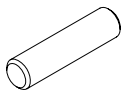
($\varnothing 15$)

A \times 2



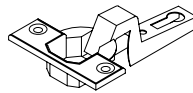
($\varnothing 15$)

B \times 2

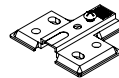


($\varnothing 8 \times 30\text{mm}$)

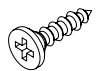
C \times 22



D \times 4



E \times 4

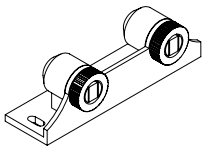


($\varnothing 3.5 \times 15\text{mm}$)

F \times 24



G \times 4



H \times 2



($\varnothing 3.0 \times 12\text{mm}$)

I \times 4



($\varnothing 3.0 \times 12\text{mm}$)

J \times 4



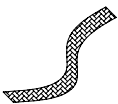
($\varnothing 6 \times \varnothing 18$)

K \times 2

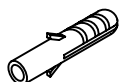


(L=608mm)

L \times 1



M \times 1

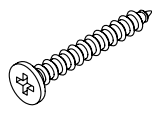


N \times 1



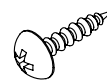
($\varnothing 3.5 \times 15\text{mm}$)

O \times 1



($\varnothing 3.5 \times 30\text{mm}$)

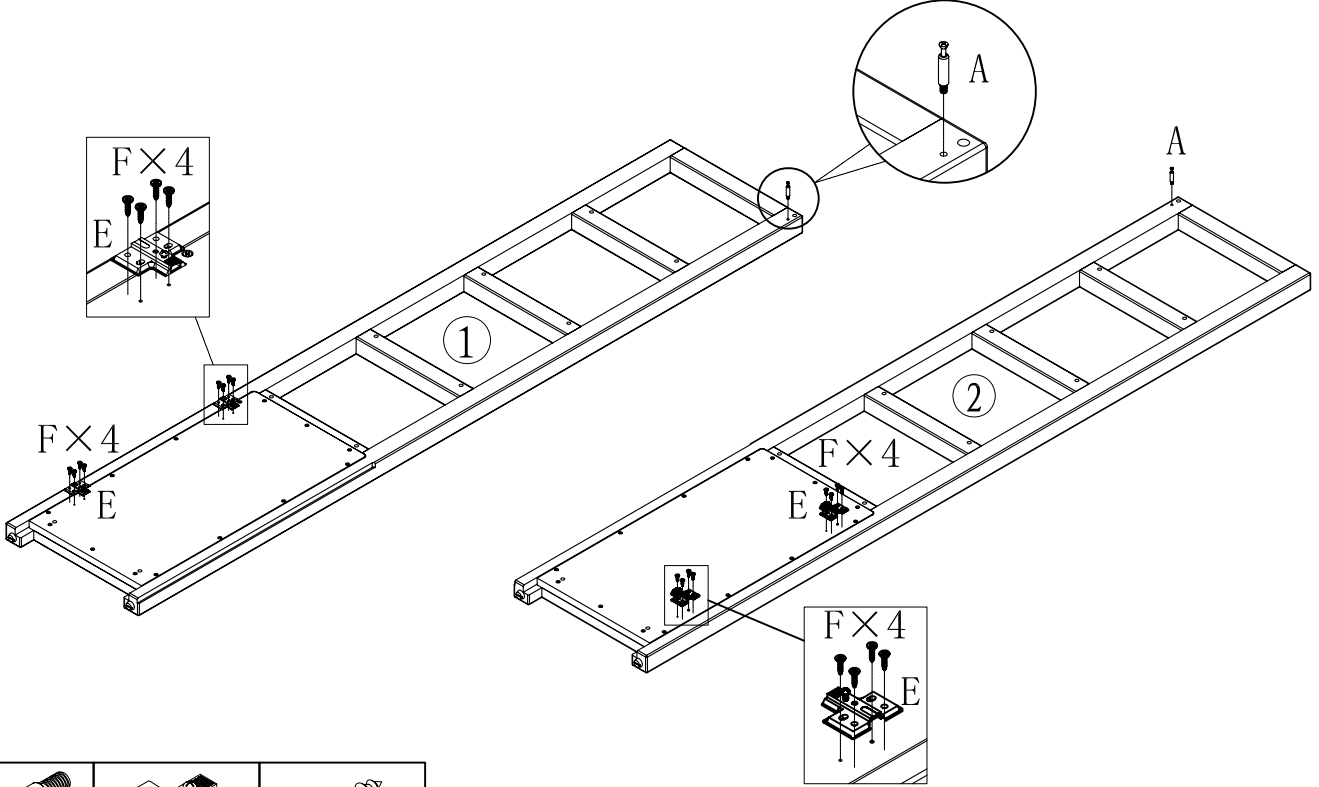
P \times 31

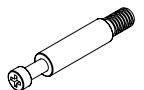
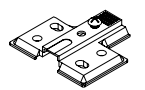
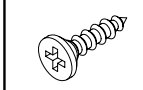


($\varnothing 3.0 \times 15\text{mm}$)

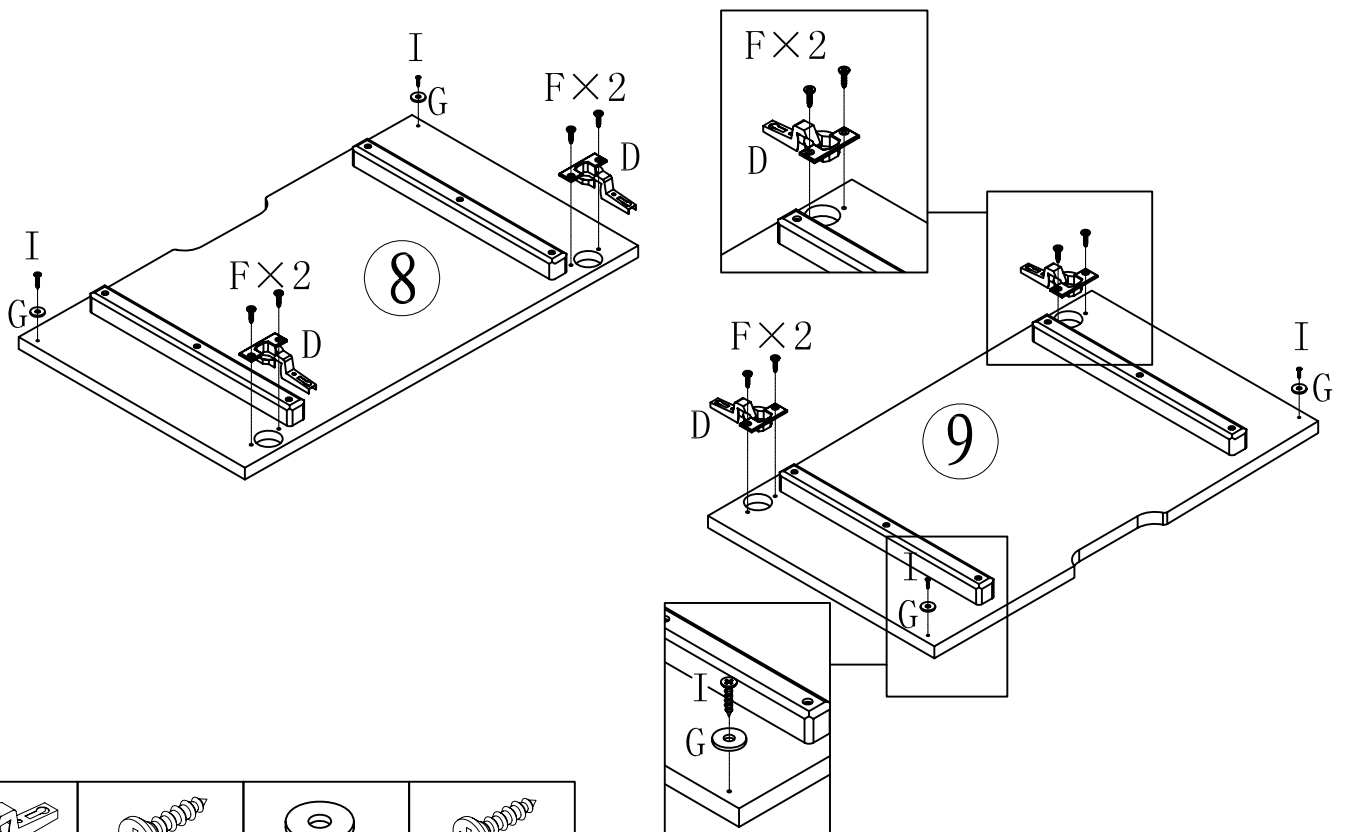
Q \times 22

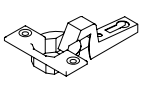
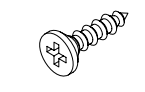
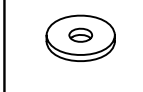
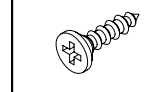
1



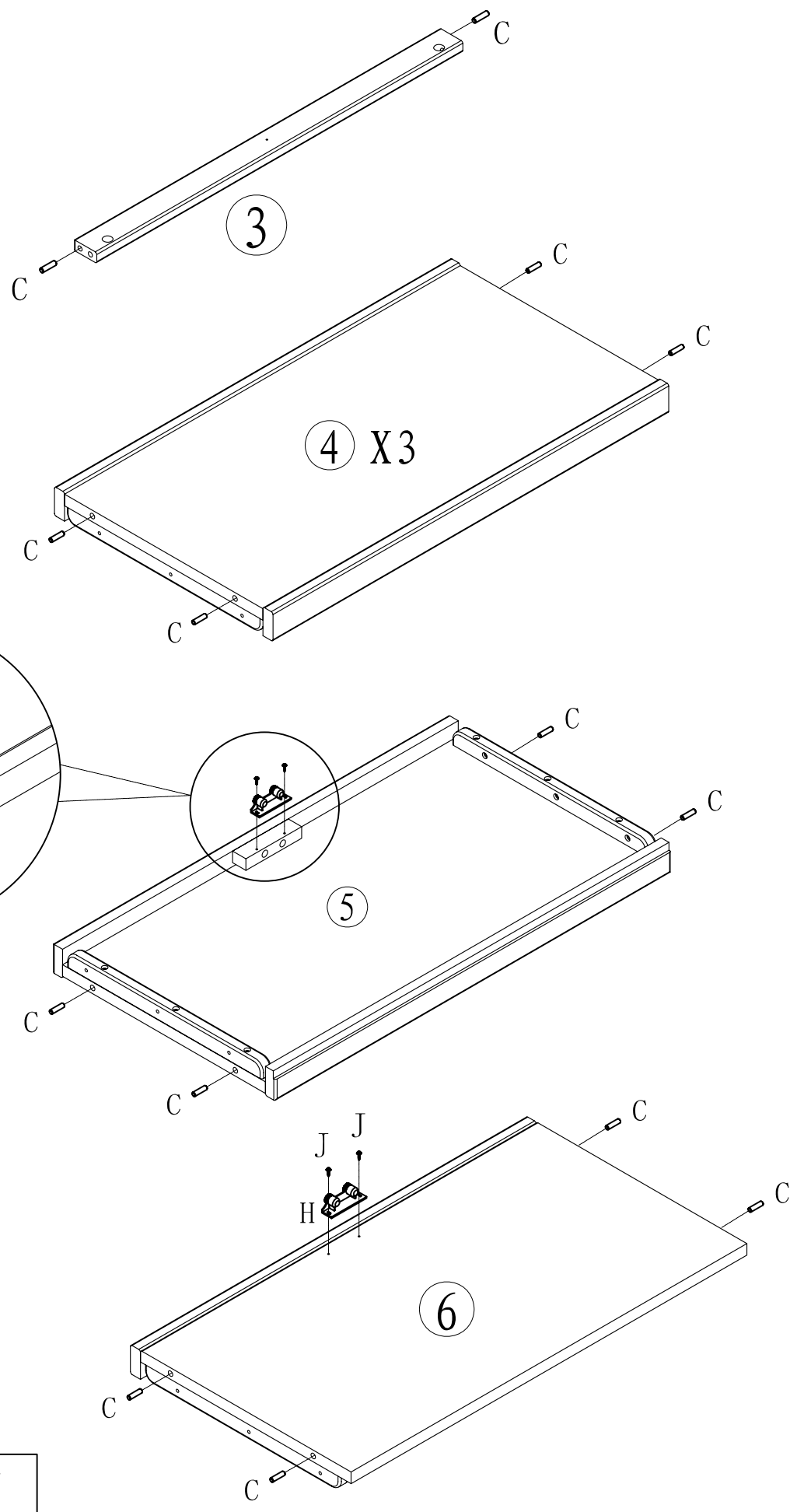
- | | | |
|---|--|--|
|  |  |  |
| A*2 | E*4 | F*16 |

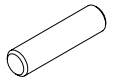
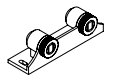
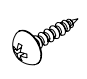
2



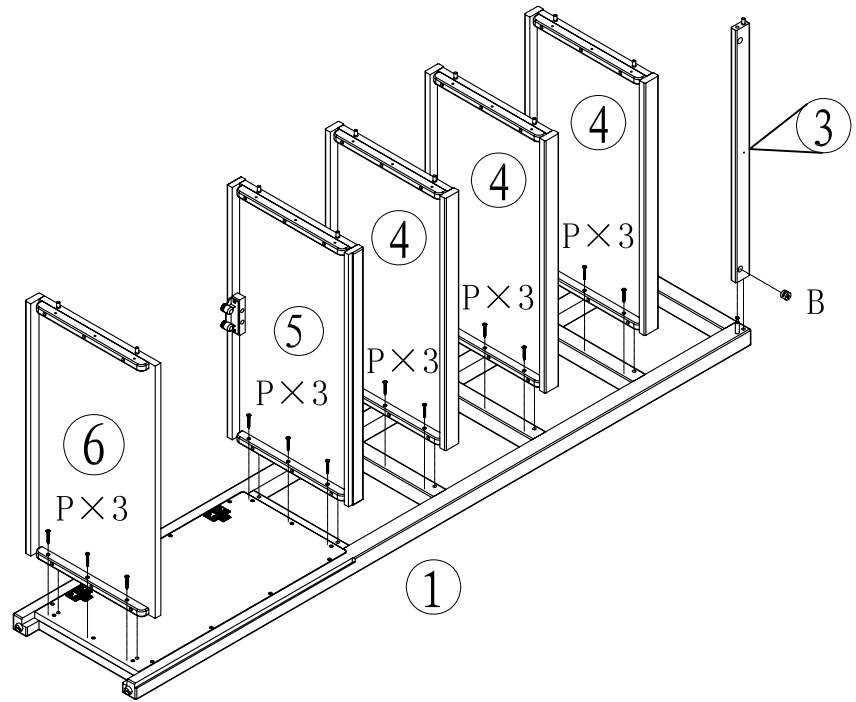
- | | | | |
|--|---|---|---|
|  |  |  |  |
| D*4 | F*8 | G*4 | I*4 |

3



		
C*22	H*2	J*4

4

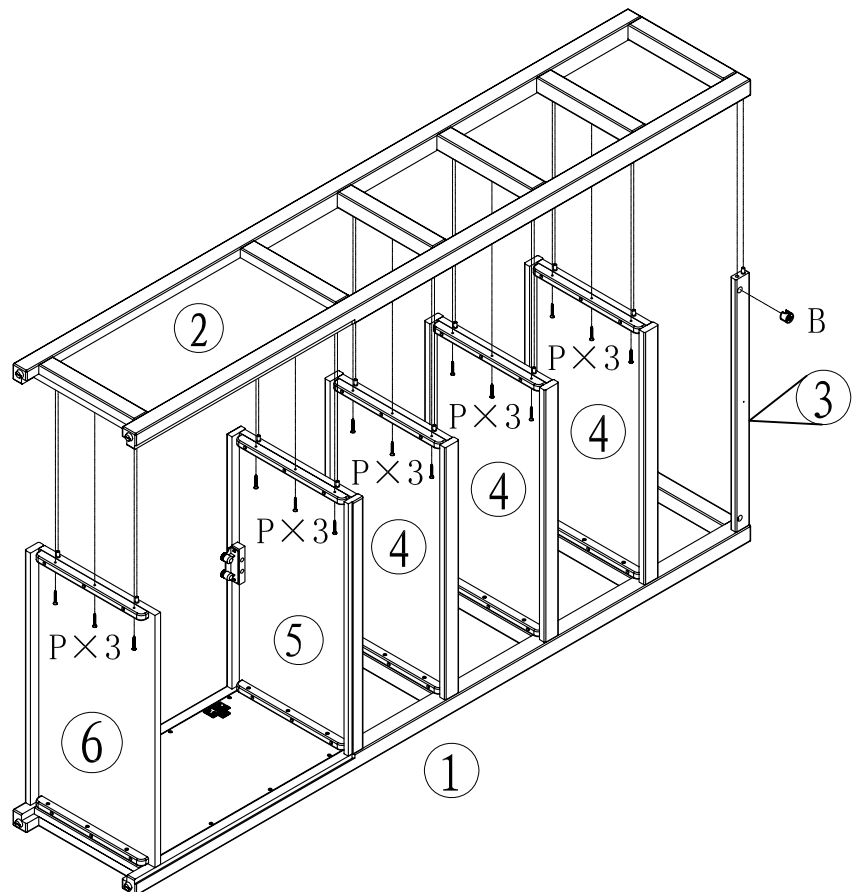


B*1

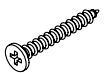


P*15

5

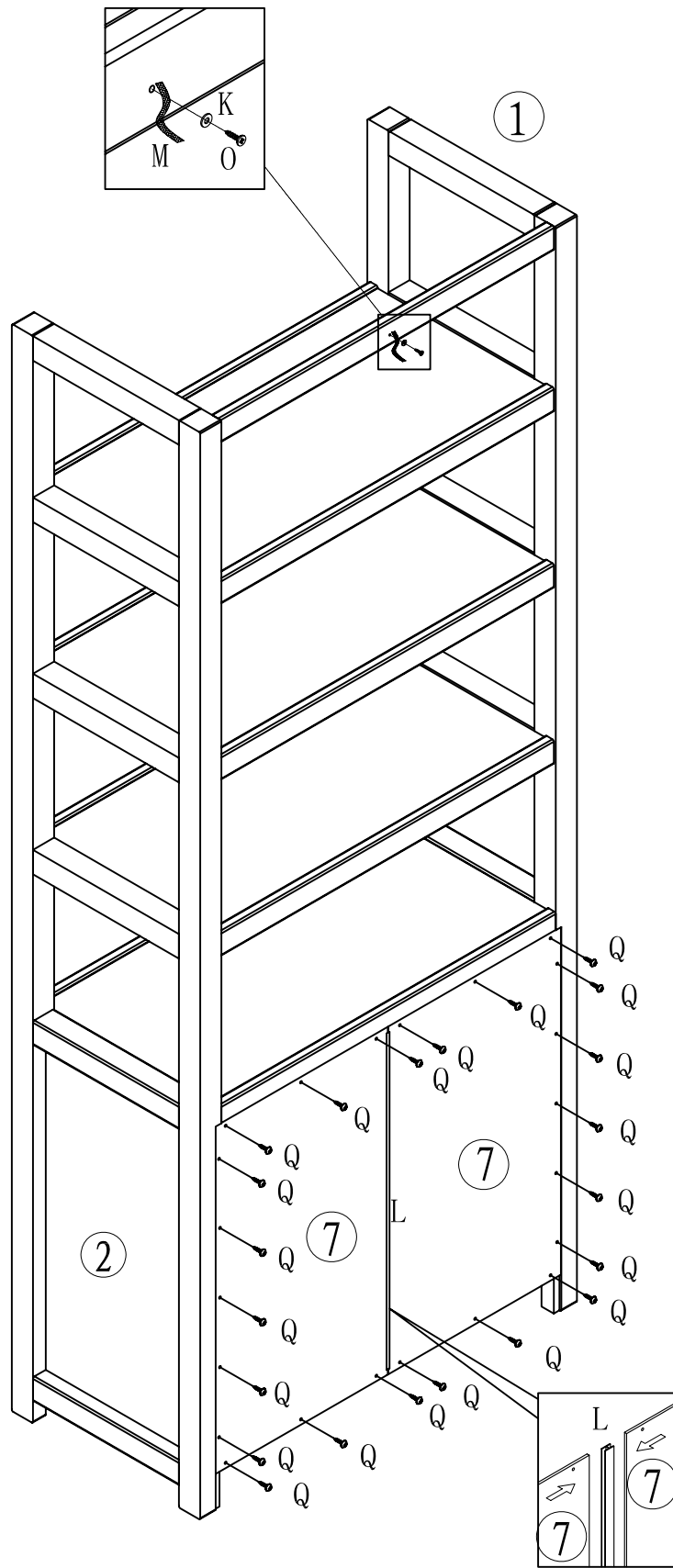







B*1



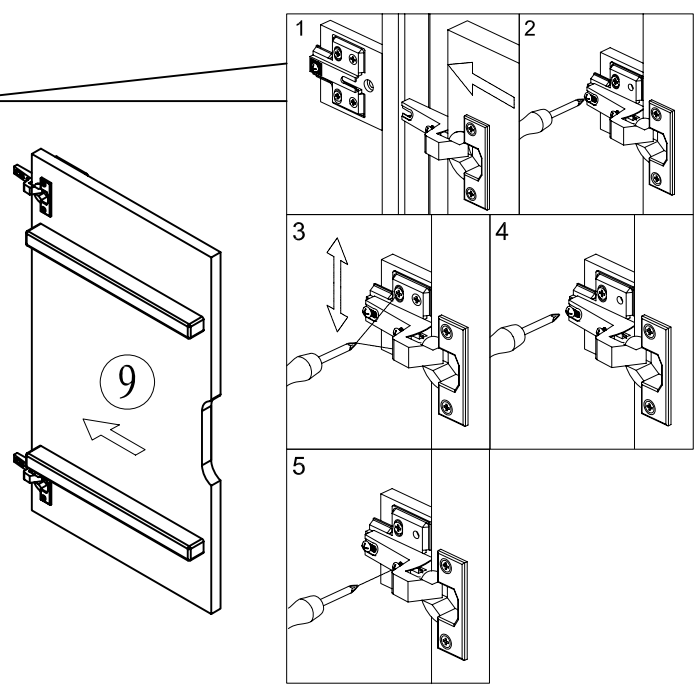
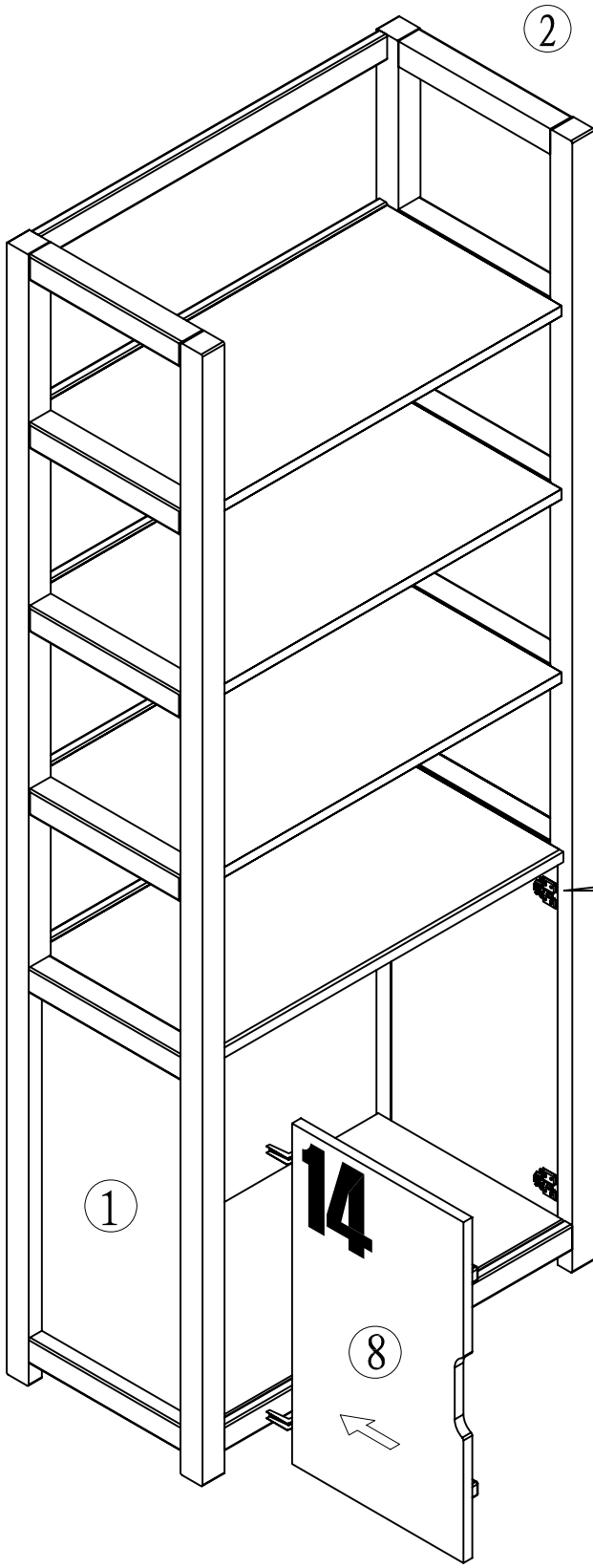
P*15

6

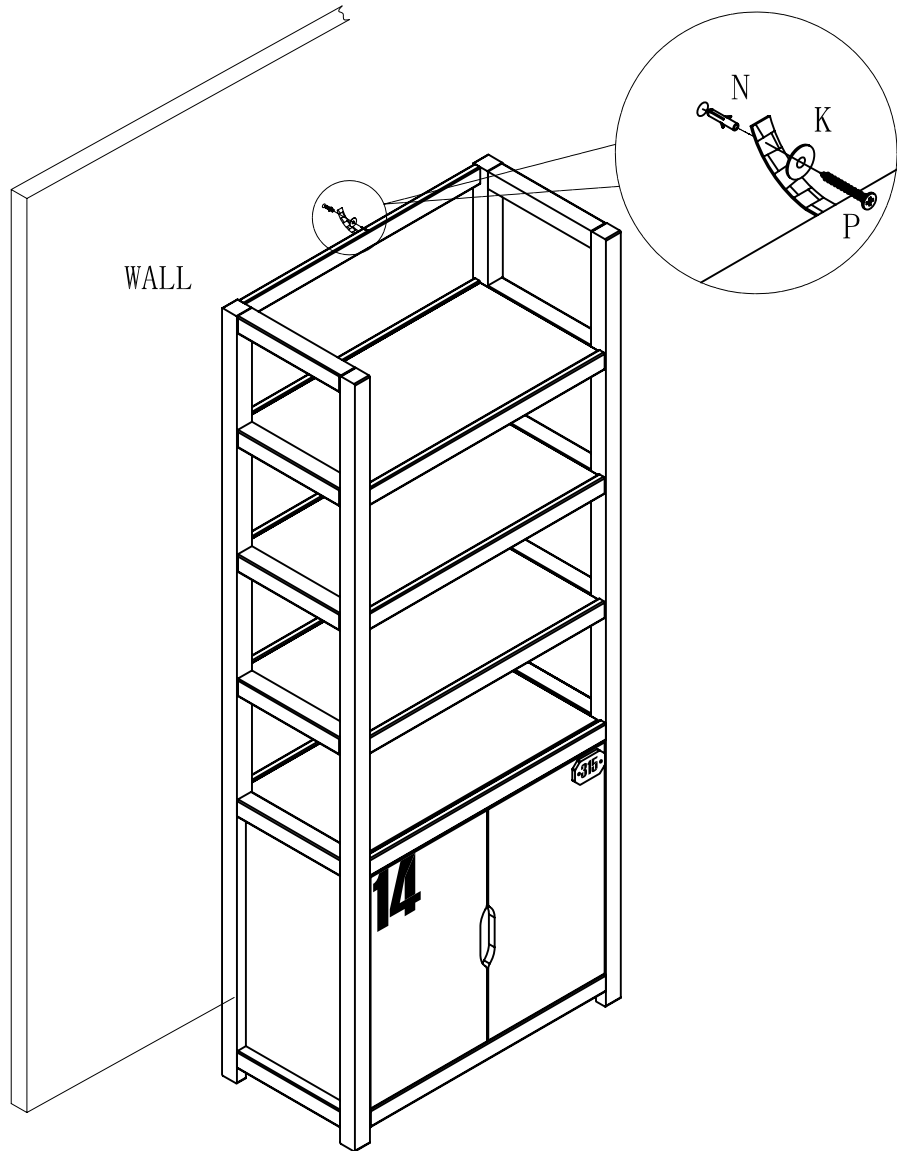


				
K*1	L*1	M*1	O*1	Q*22

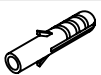
7



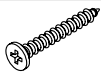
8



K*1



N*1



P*1