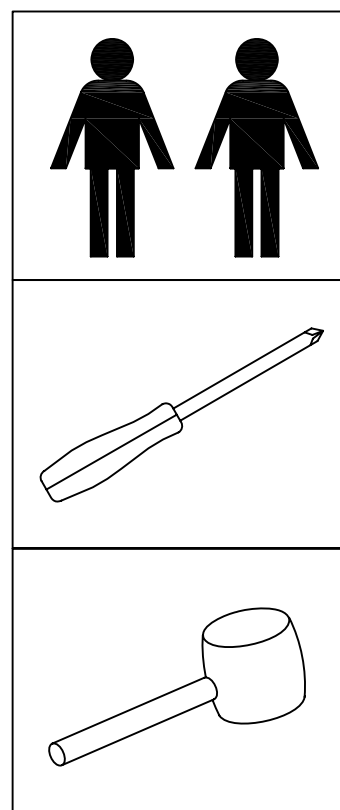
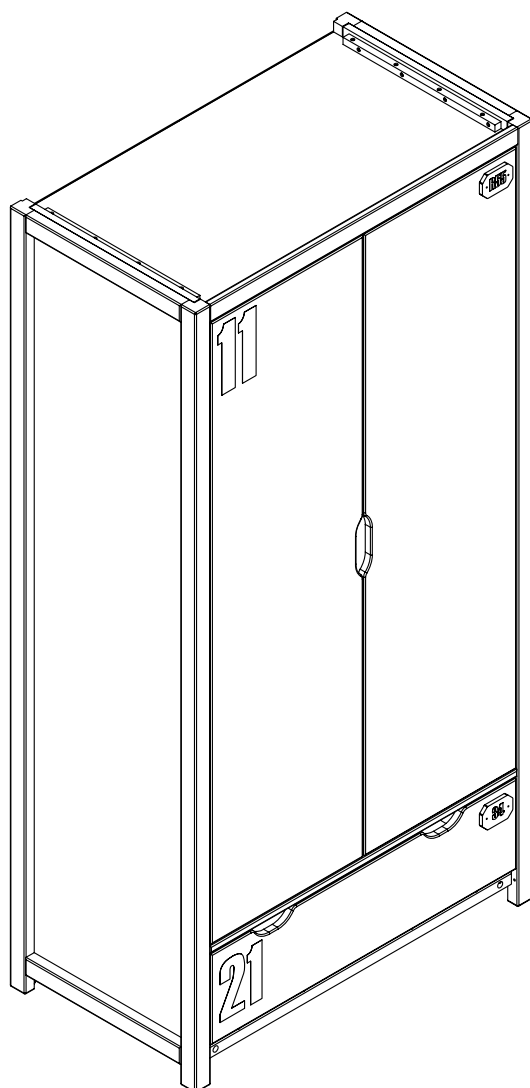
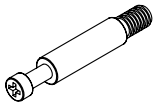
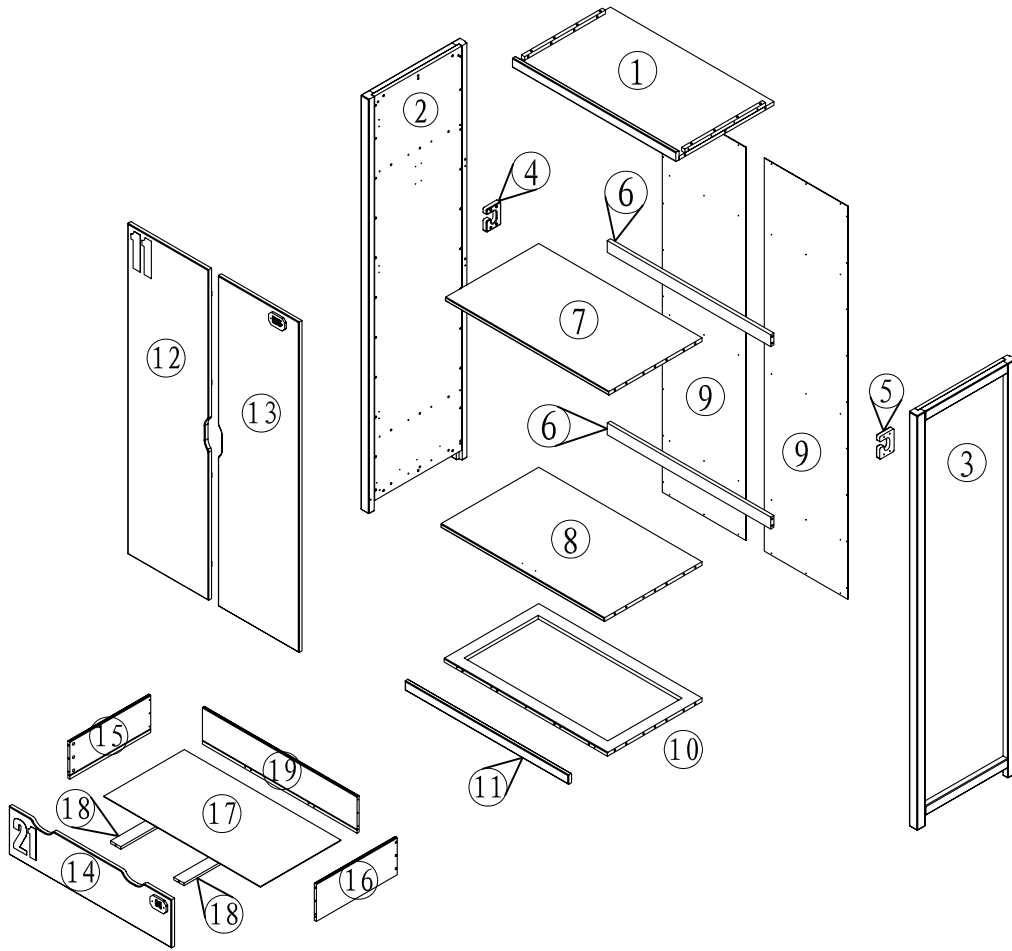


MONTAGE AANWIJZING
NOTICE DE MONTAGE
MONTAGE ANLEITUNG
ASSEMBLY INSTRUCTIONS



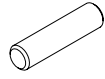
BD00288-2



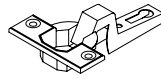
($\varnothing 15$)
A \times 35



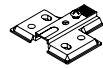
($\varnothing 15$)
B \times 35



($\varnothing 8 \times 30\text{mm}$)
C \times 32



D \times 6



E \times 6



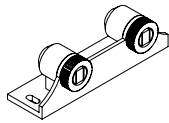
($\varnothing 3.5 \times 15\text{mm}$)
F \times 36



($\varnothing 3.5 \times 15\text{mm}$)
G \times 14



H \times 4



I \times 2



($\varnothing 3.0 \times 12\text{mm}$)
J \times 4



($\varnothing 3.0 \times 12\text{mm}$)
K \times 4



($\varnothing 6 \times \varnothing 18$)
L \times 1



($\varnothing 4 \times \varnothing 9$)
M \times 1



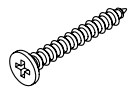
(L=1858mm)
N \times 1



O \times 1



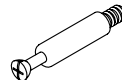
P \times 1



($\varnothing 3.5 \times 30\text{mm}$)
Q \times 17



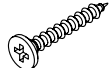
($\varnothing 3.0 \times 15\text{mm}$)
R \times 48



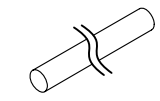
($\varnothing 12$)
S \times 8



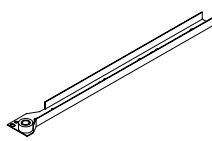
($\varnothing 12$)
T \times 8



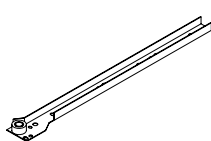
($\varnothing 3.5 \times 25\text{mm}$)
U \times 10



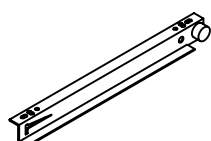
(L=906mm)
V \times 1



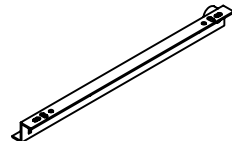
W \times 1



X \times 1

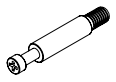
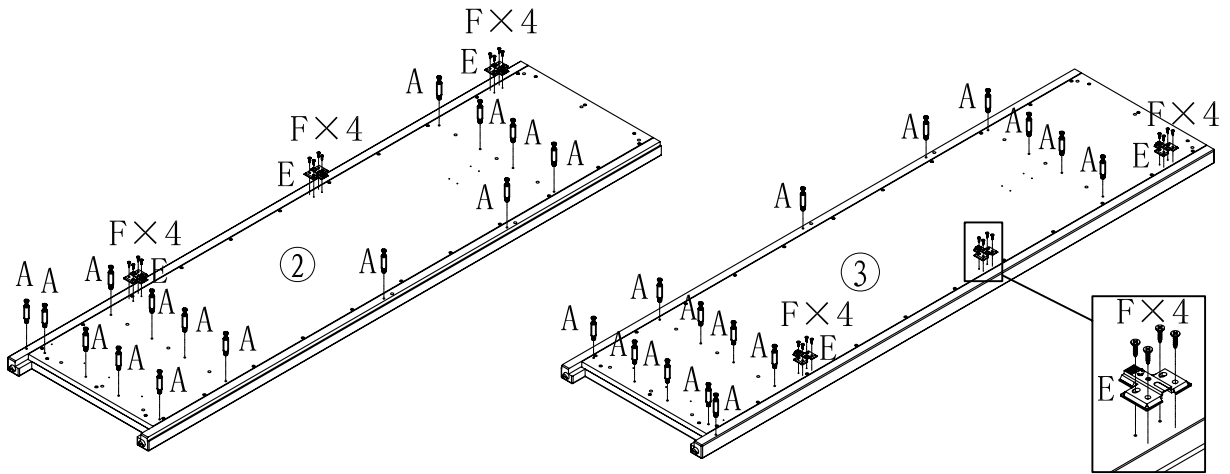


Y \times 1

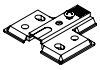


Z \times 1

1



A*30

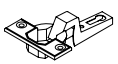
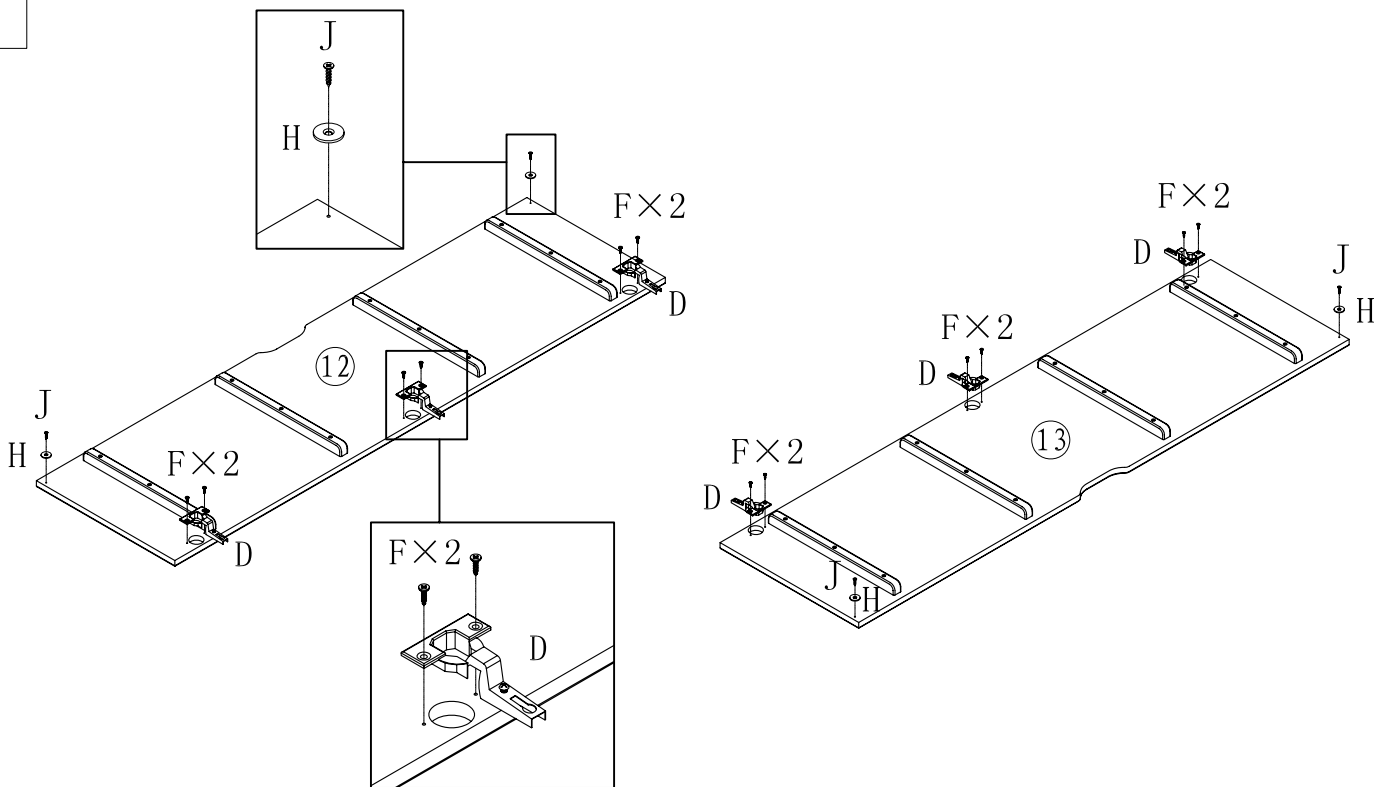


E*6



F*24

2



D*6



F*12

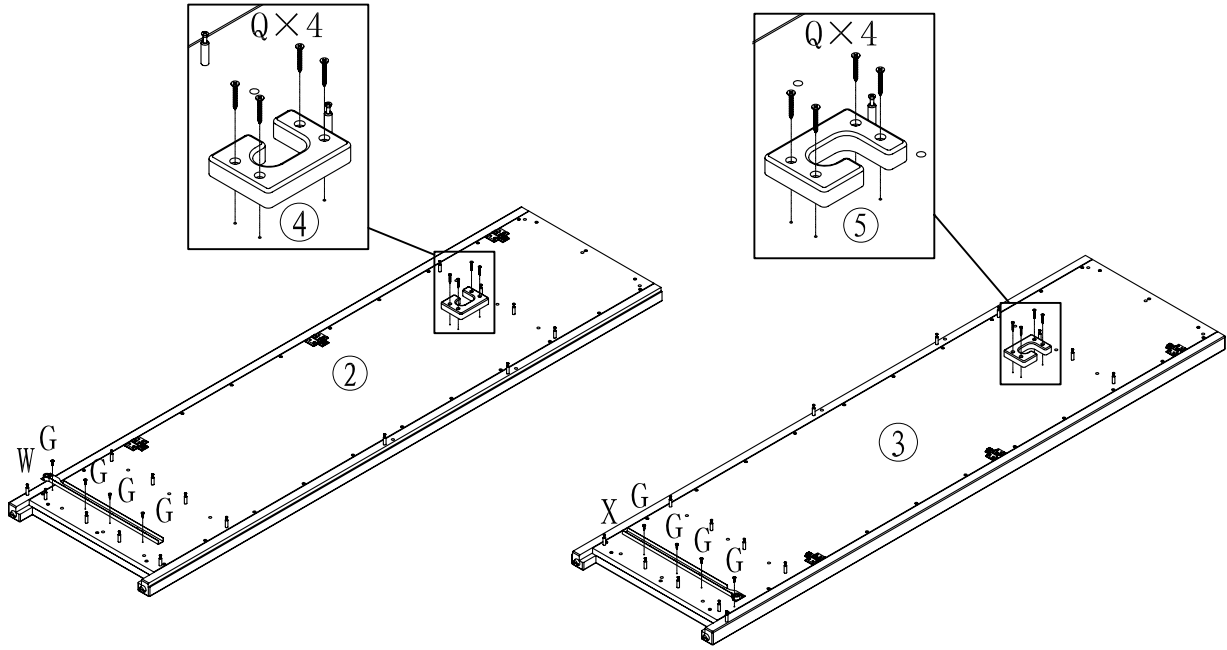


H*4

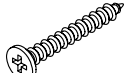


J*4

3



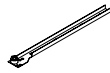
G*8



Q*8

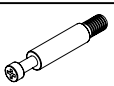
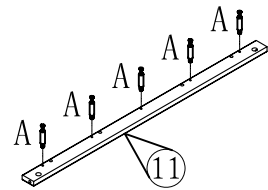
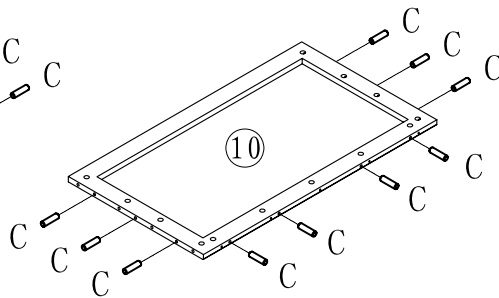
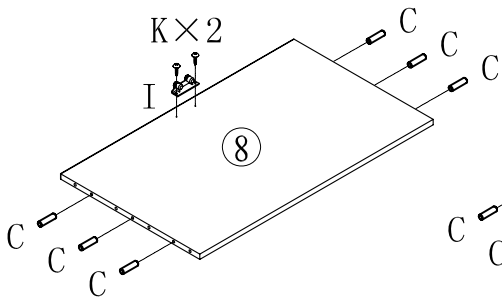
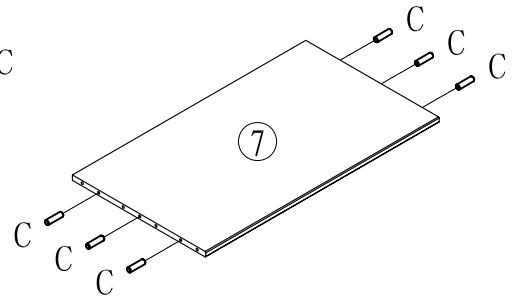
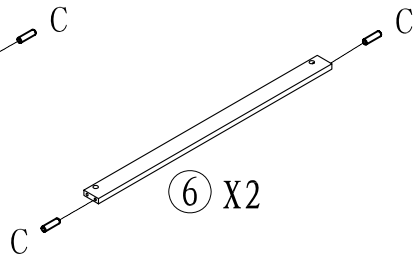
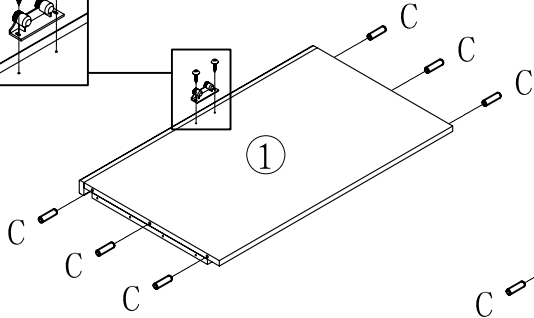
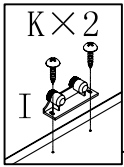


W*1

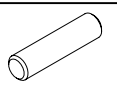


X*1

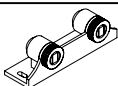
4



A*5



C*32

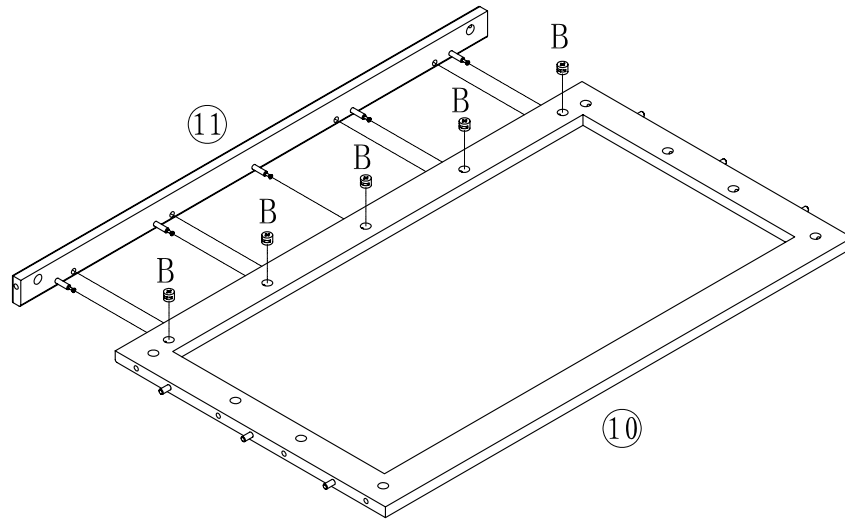


I*2



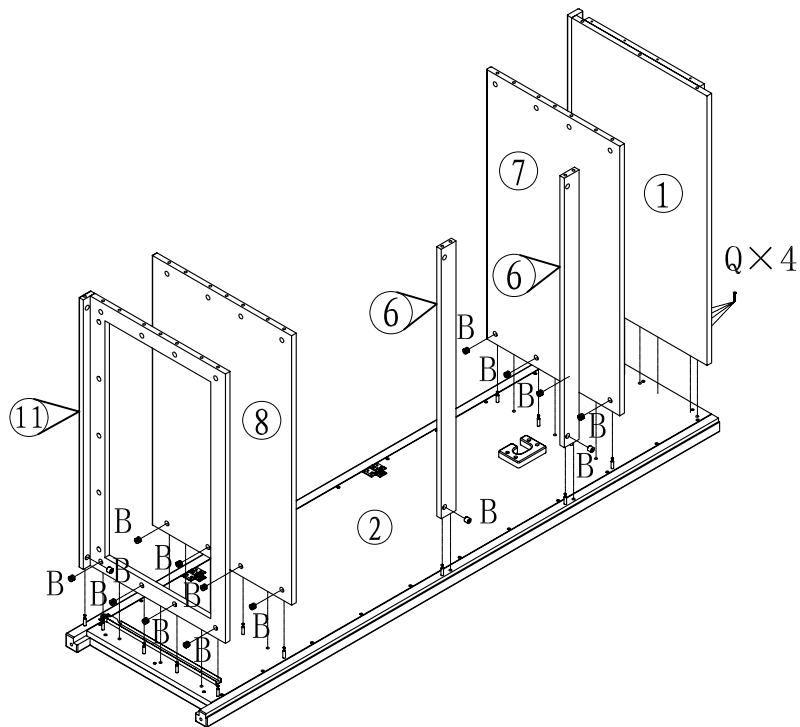
K*4

5

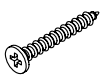


B*5

6

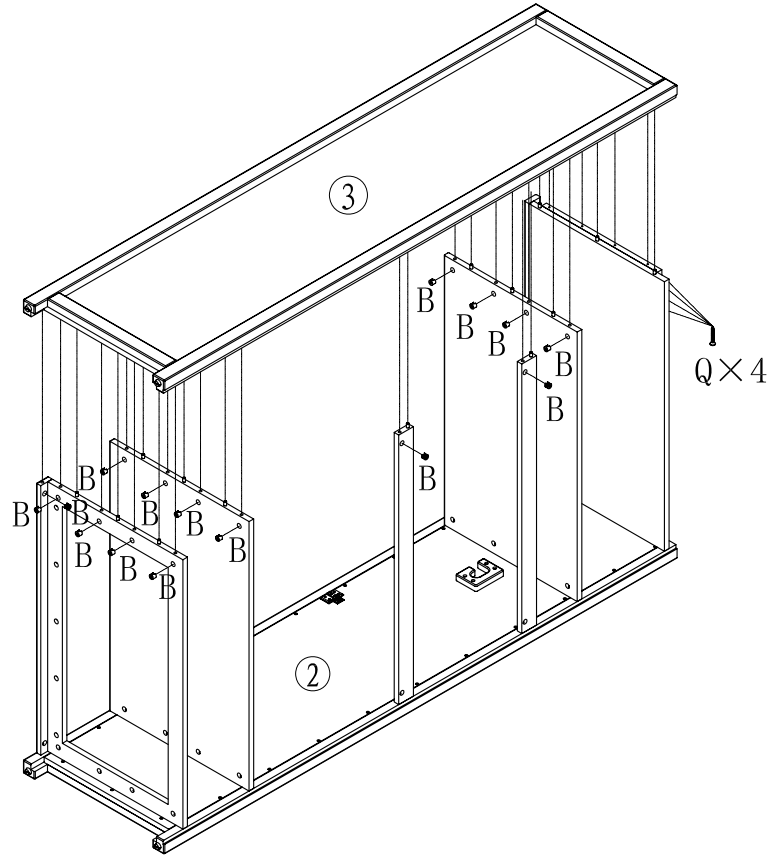


B*15

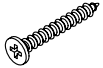


Q*4

7

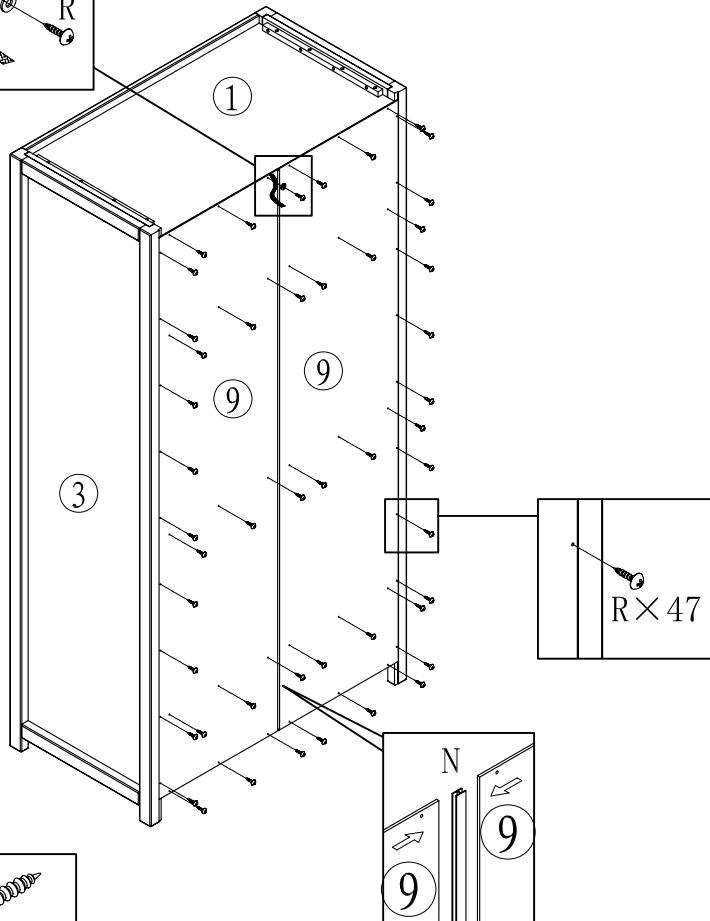
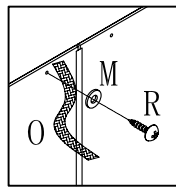


B*15



Q*4

8



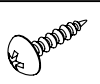
M*1



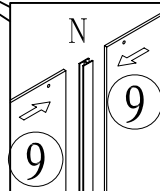
N*1



O*1

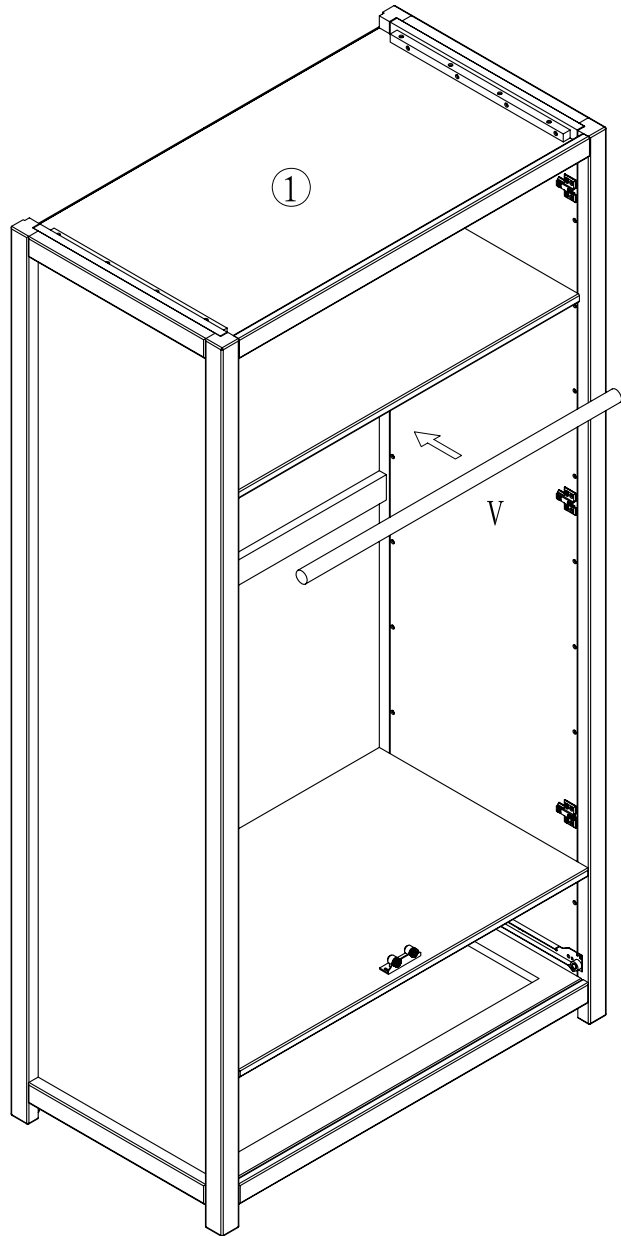


R*48

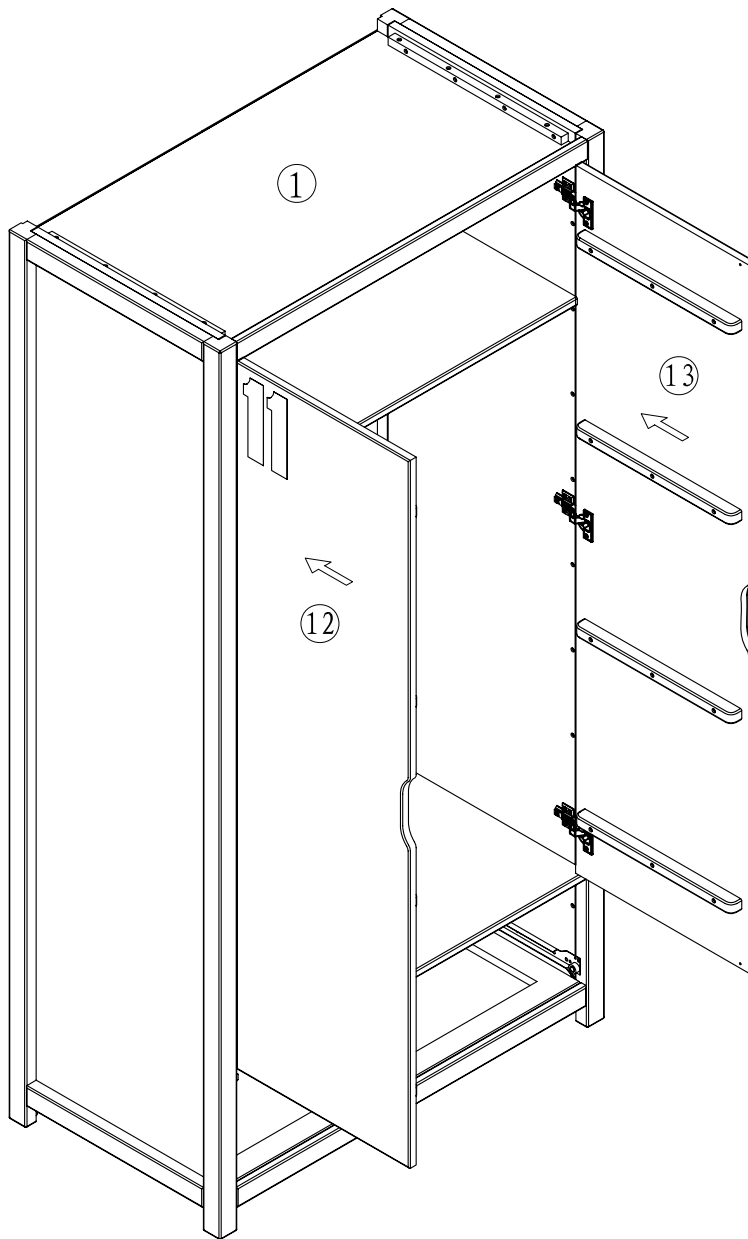
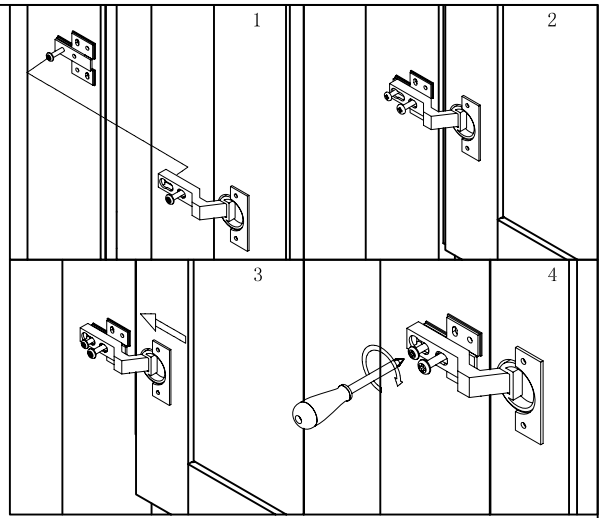


R*47

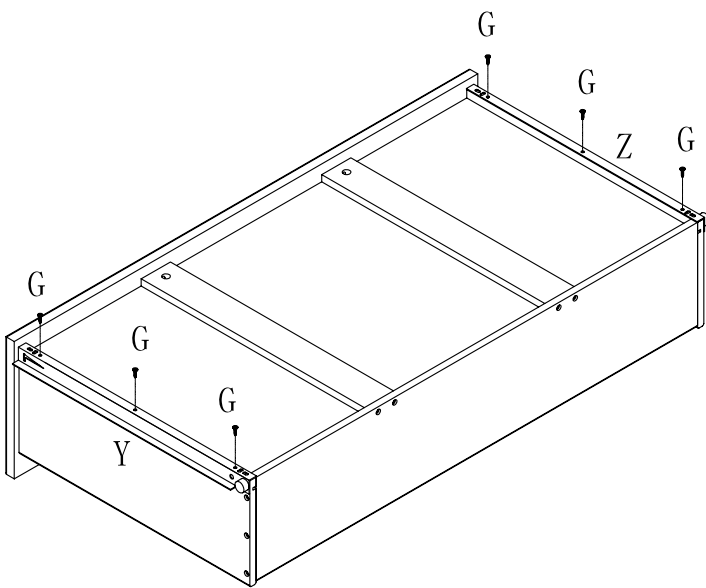
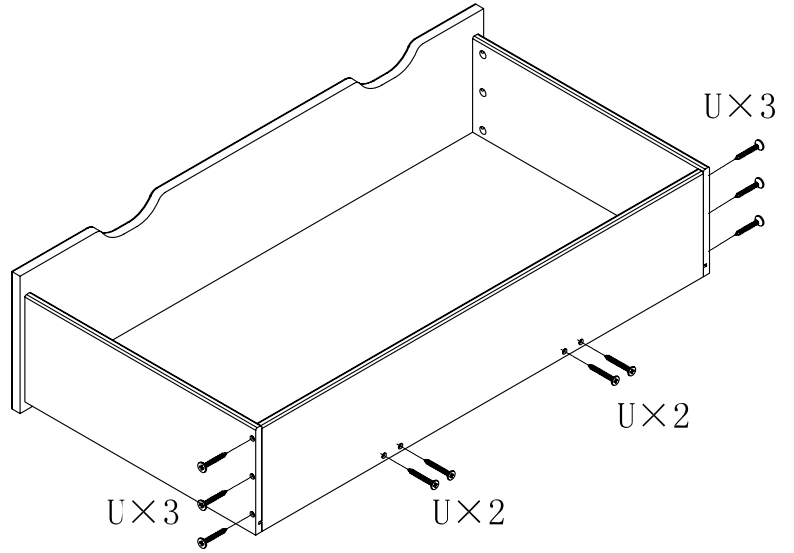
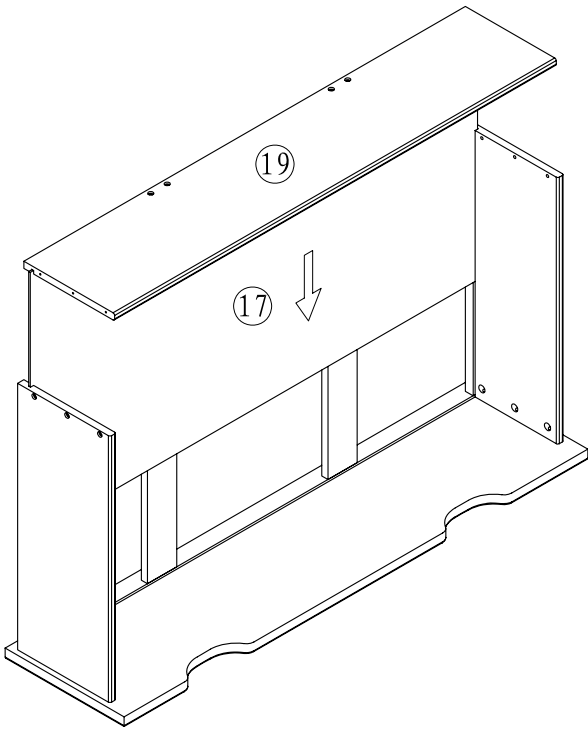
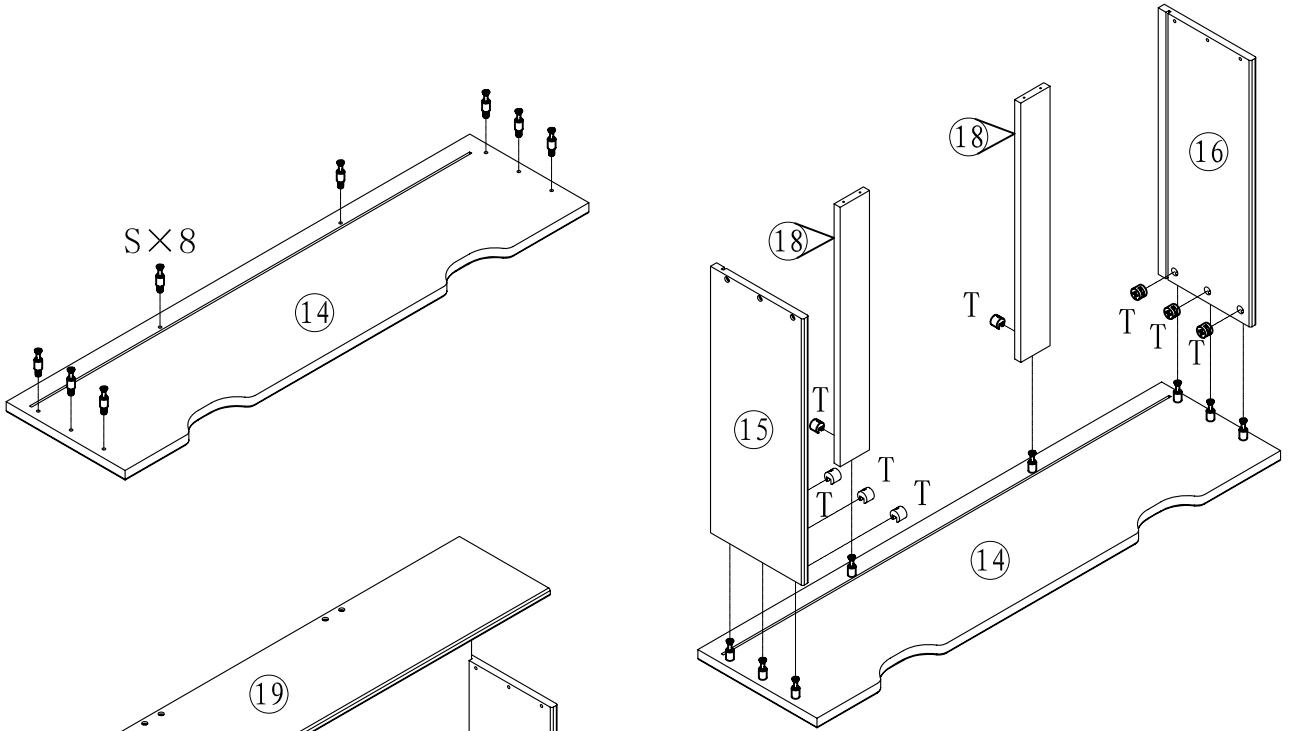
9



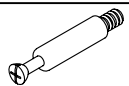
10



11



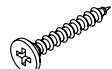
G*6



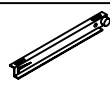
S*8



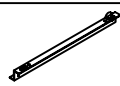
T*8



U*10

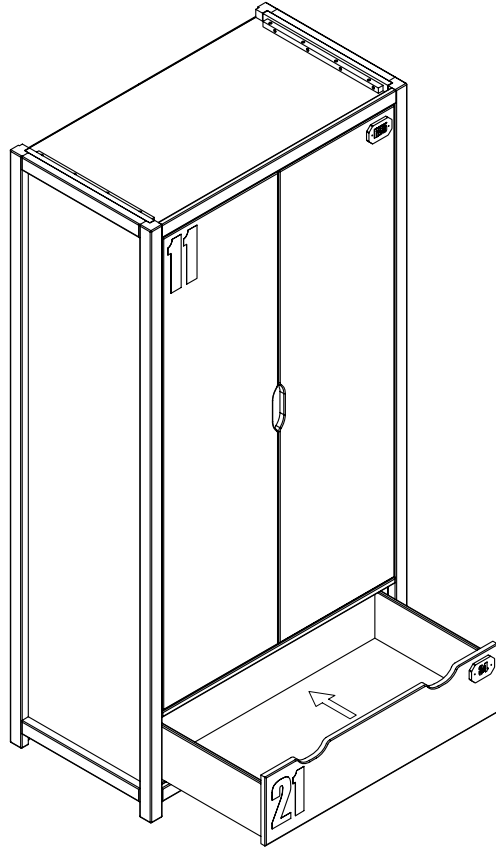


Y*1

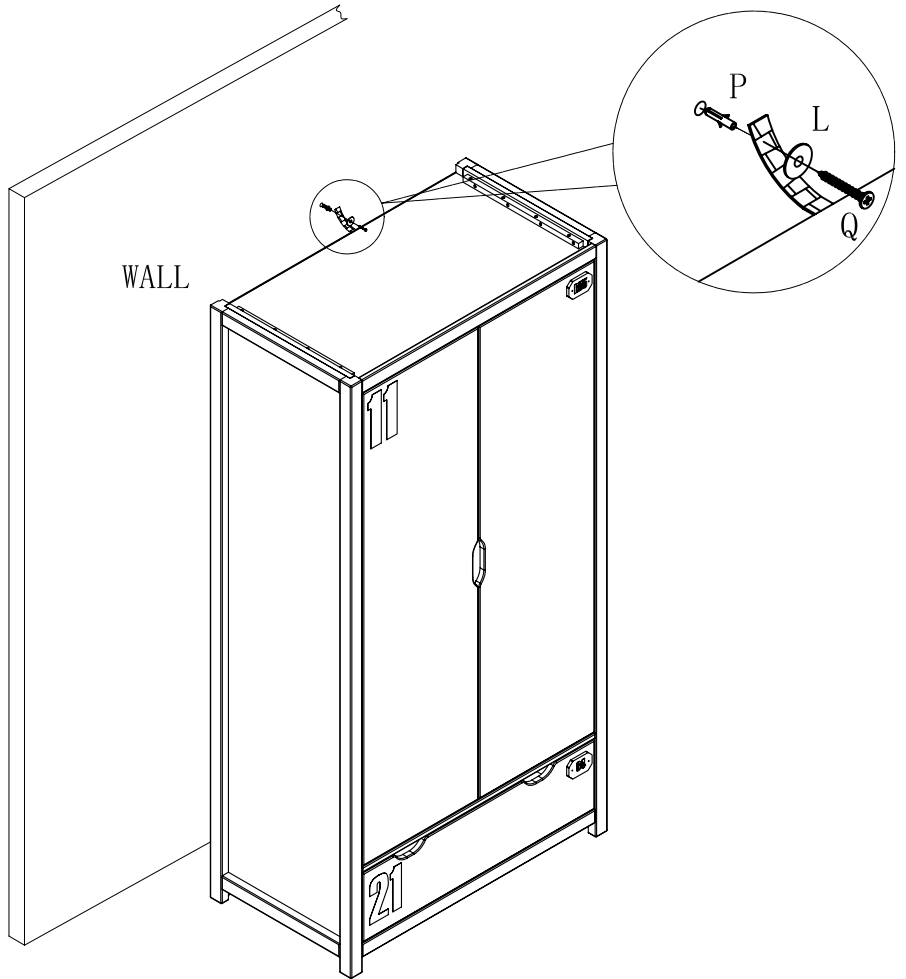


Z*1

12



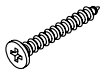
13



L*1



P*1



Q*1