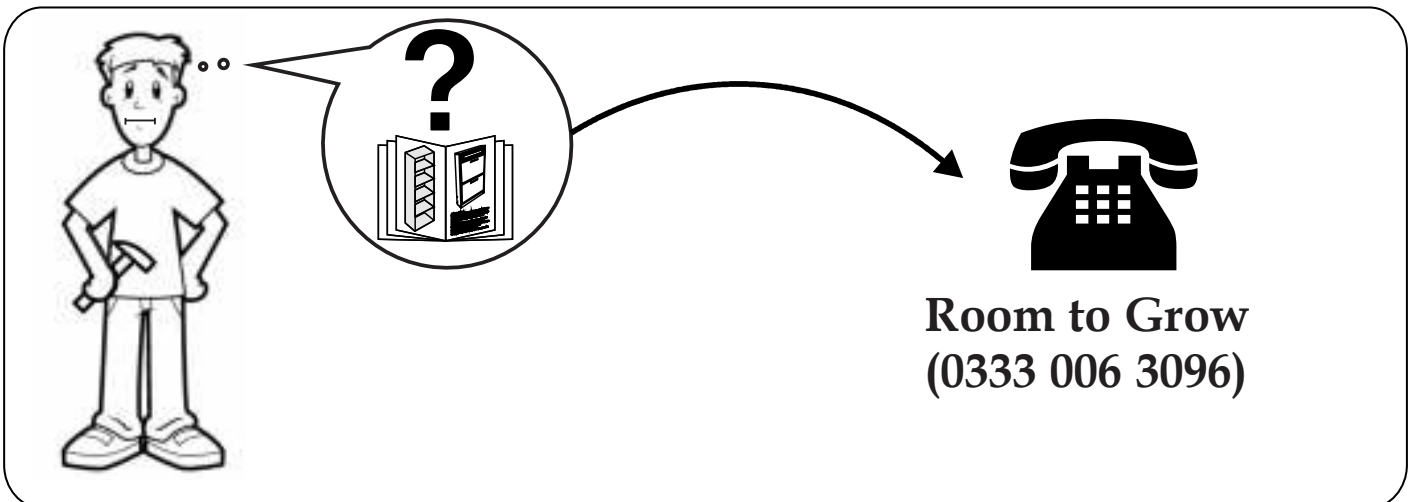
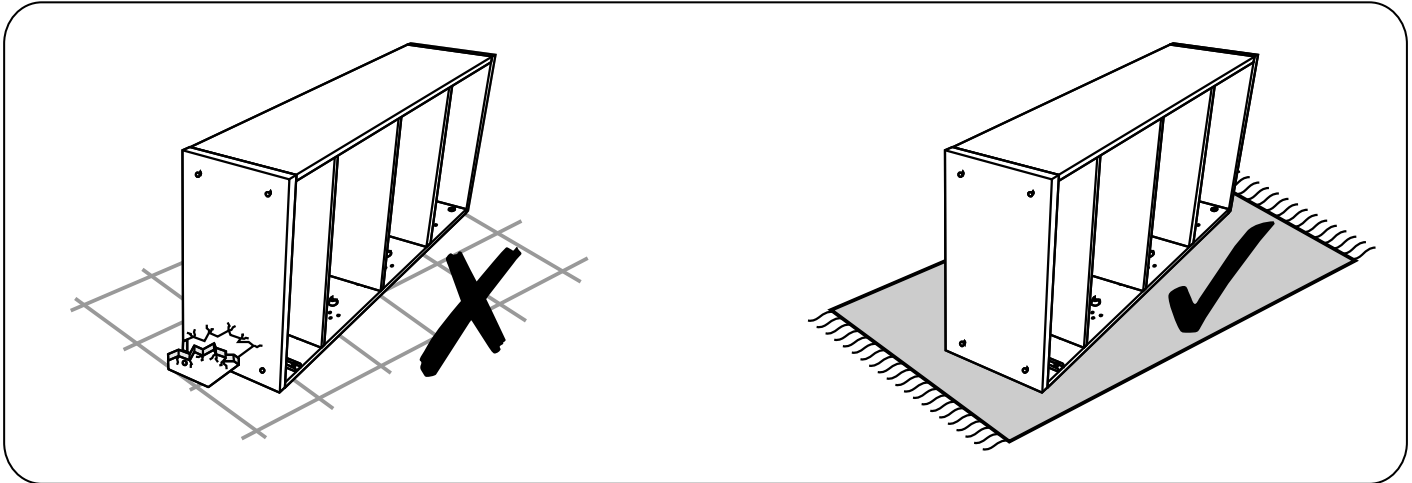
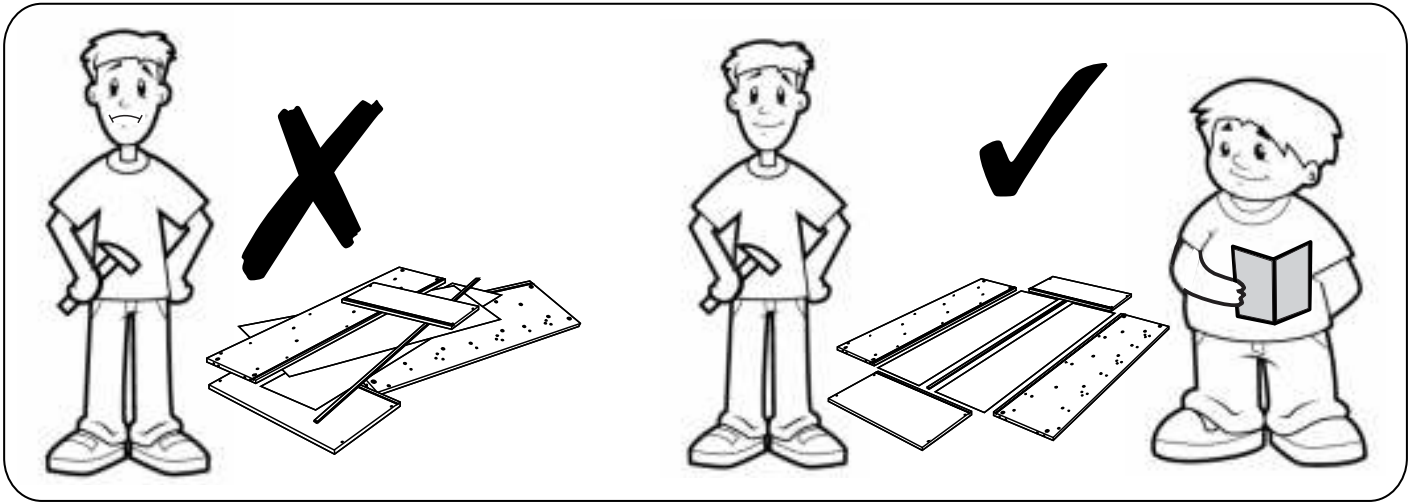
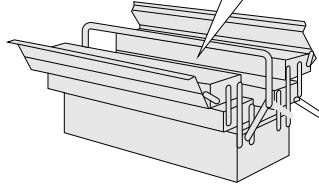
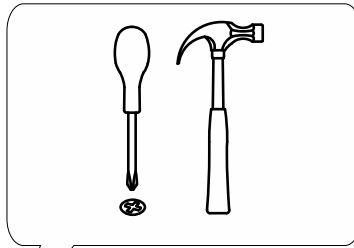


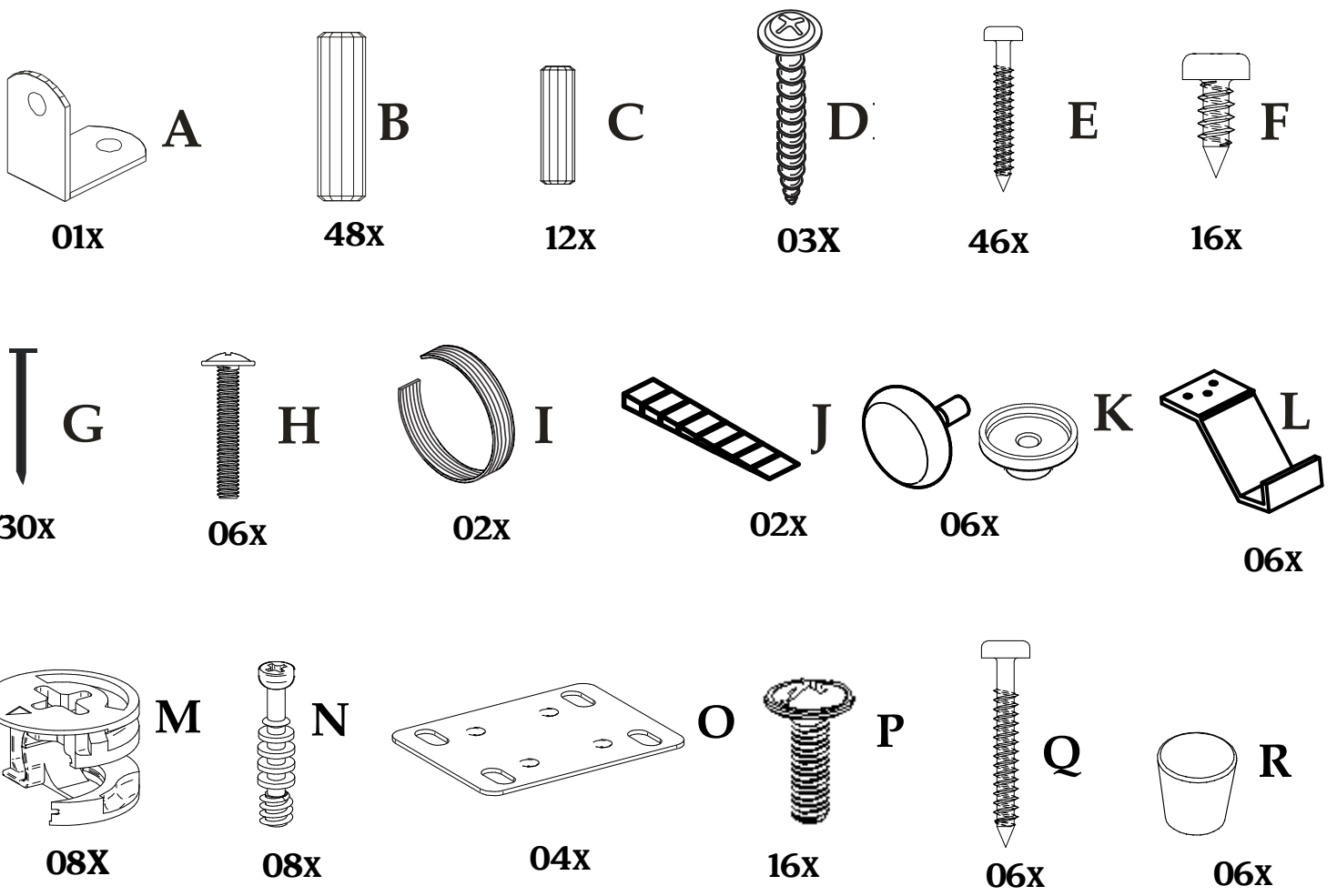


Jubilee
3 Drawer Wide Chest
Assembly Instructions

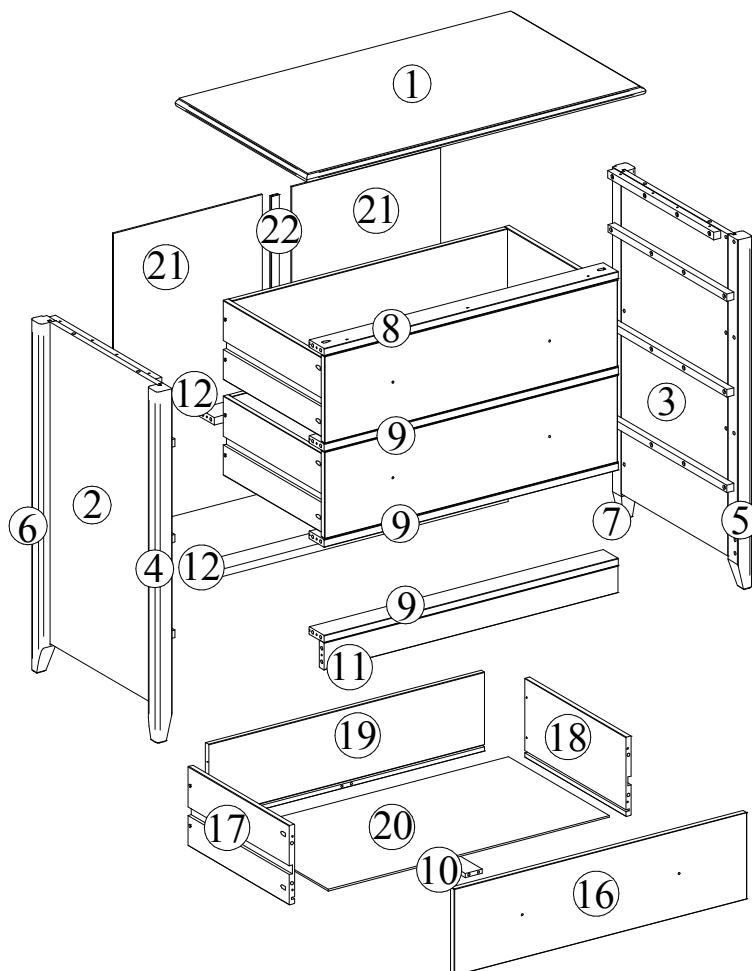




HARDWARE



PARTS



Safety Information

IMPORTANT, RETAIN FOR FUTURE REFERENCE: READ CAREFULLY

WARNING! To prevent your furniture tipping and causing serious or fatal injuries, ensure this product is permanently fixed to the wall and the correct fitting type is used. The fitting included with this product is intended for securing the safety device to the product. If in doubt seek professional advice.

WARNING! Ensure children are discouraged from climbing as this could be extremely dangerous.

WARNING! Do not use the product if any part is broken, damaged torn or missing, approved replacement parts can be obtained from Rooms to Grow.

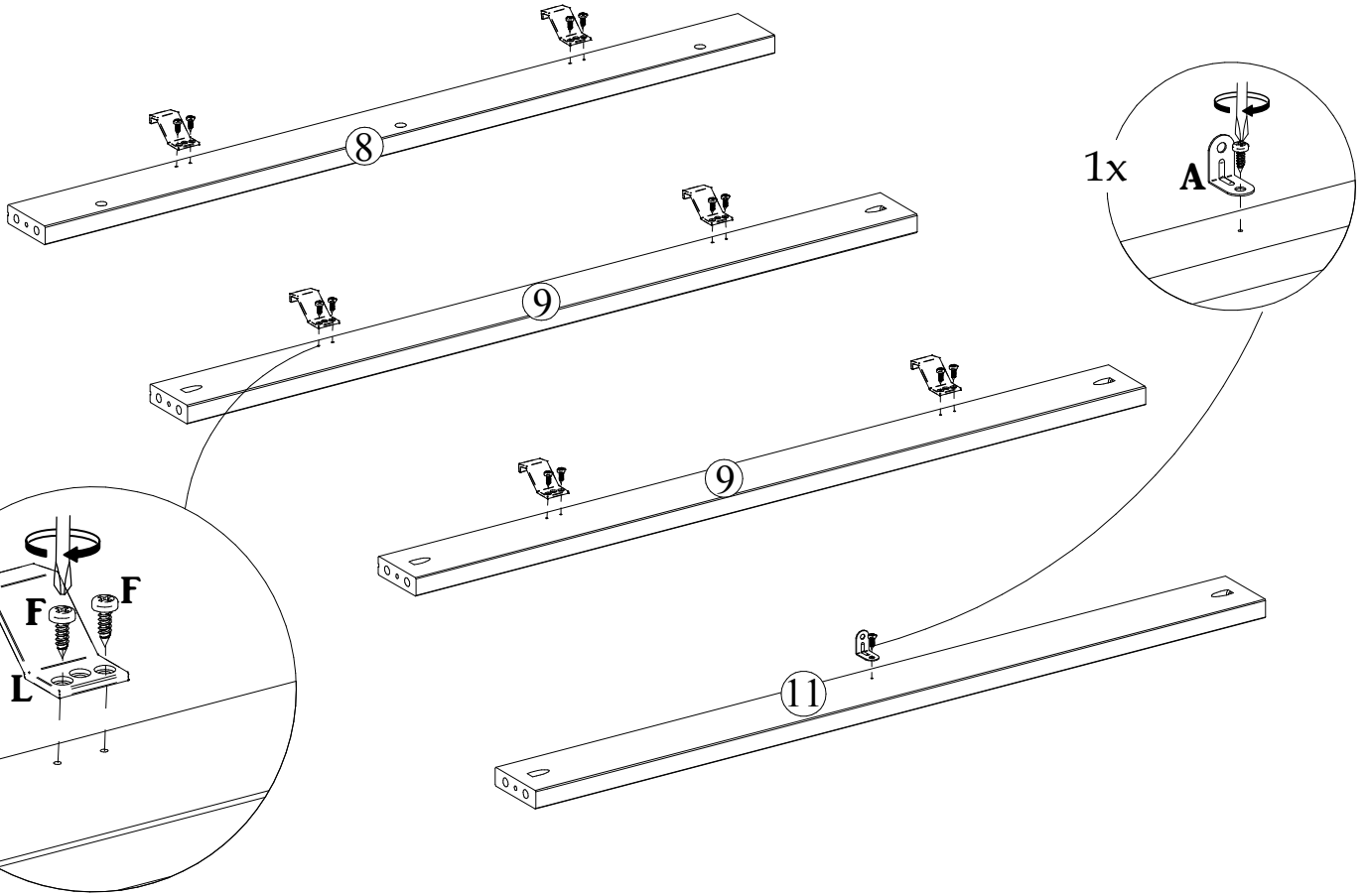
All assembly fittings should be tightened properly, checked regularly and re-tightened as necessary.

The product must be used on a level and stable surface.

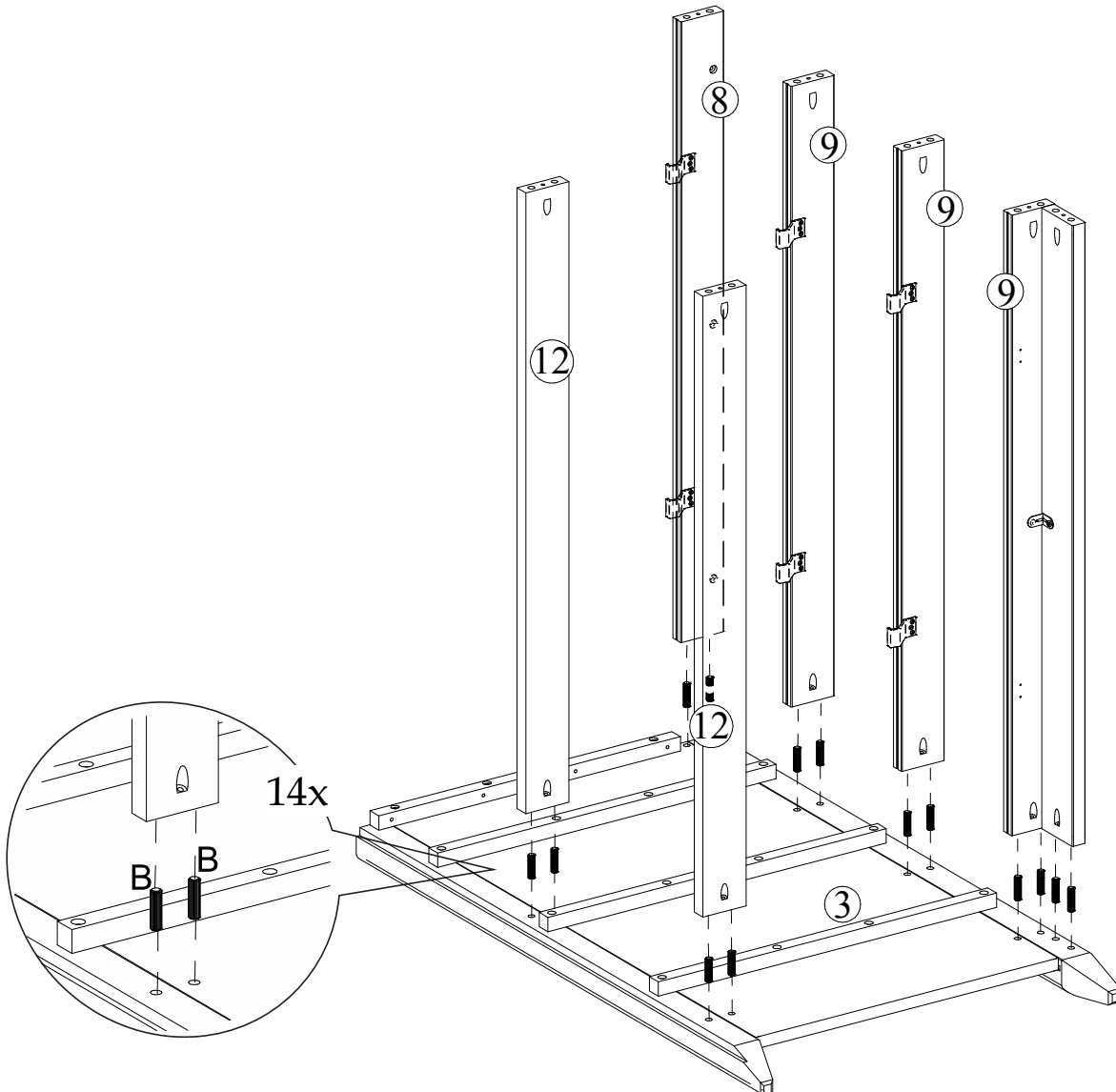
Once assembled do not dismantle.

We strongly urge that you do not use Power Tools, such as drills or electric screwdrivers during this assembly as this could cause irreparable damage to your product and will invalidate the warranty.

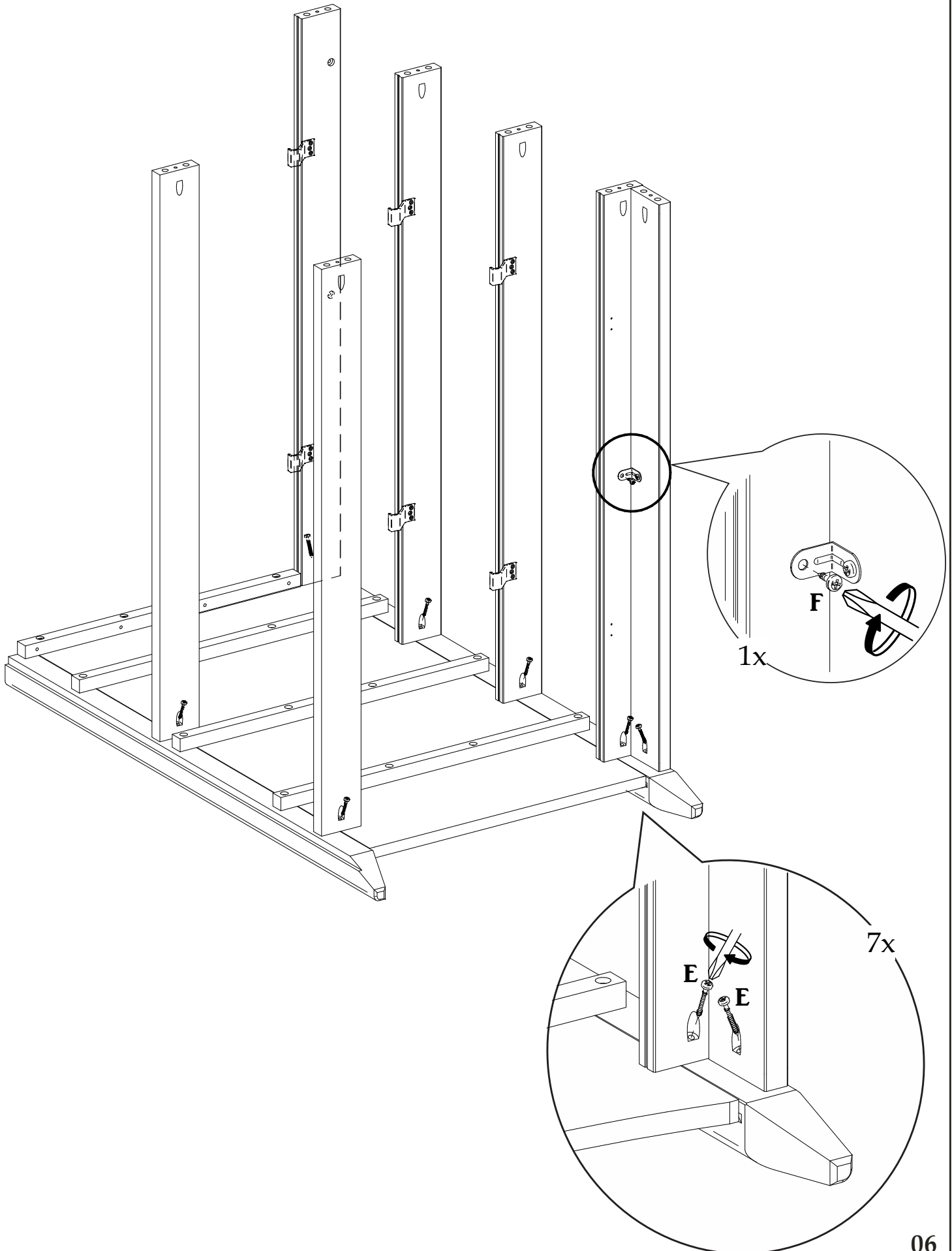
1



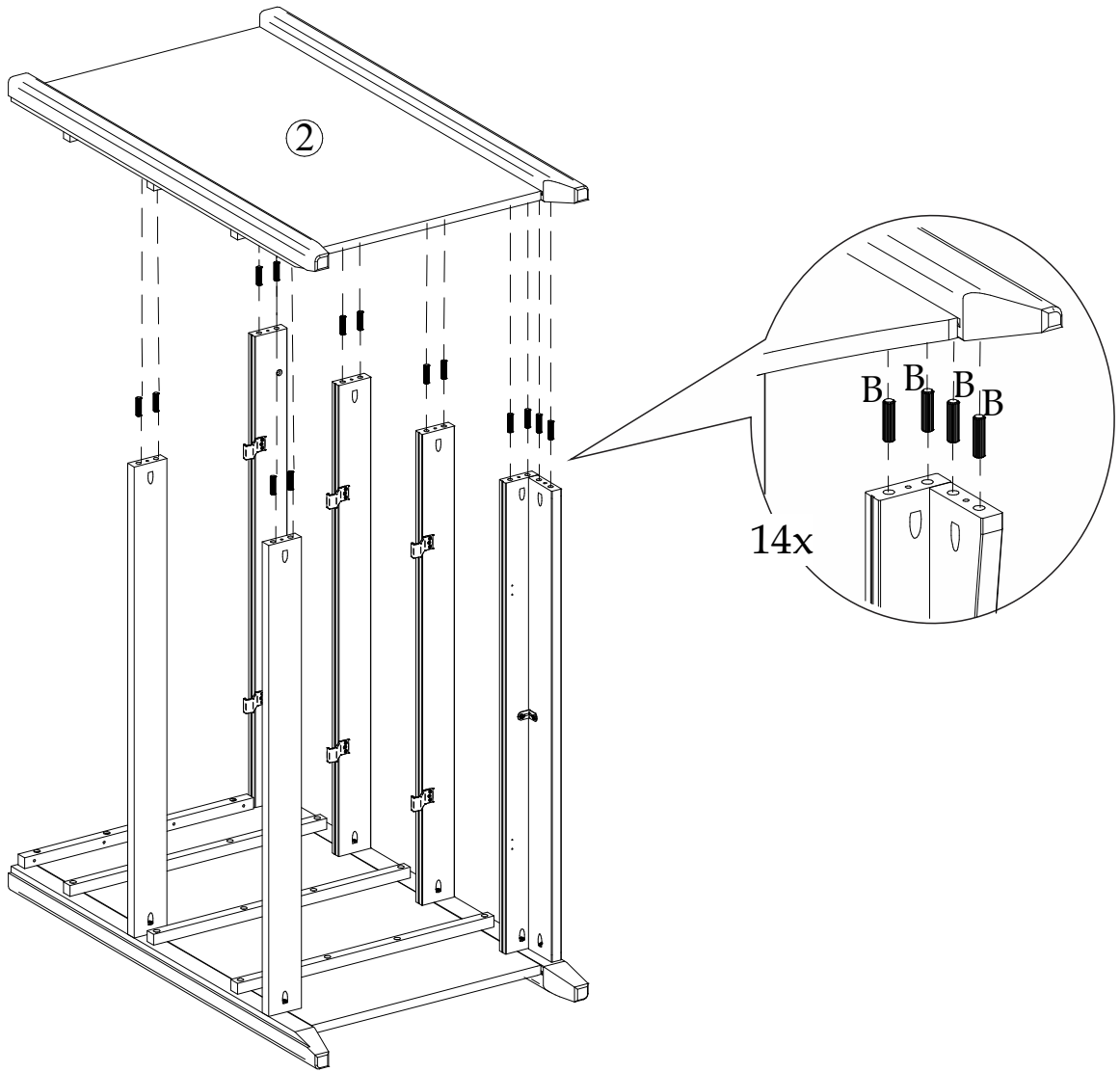
2



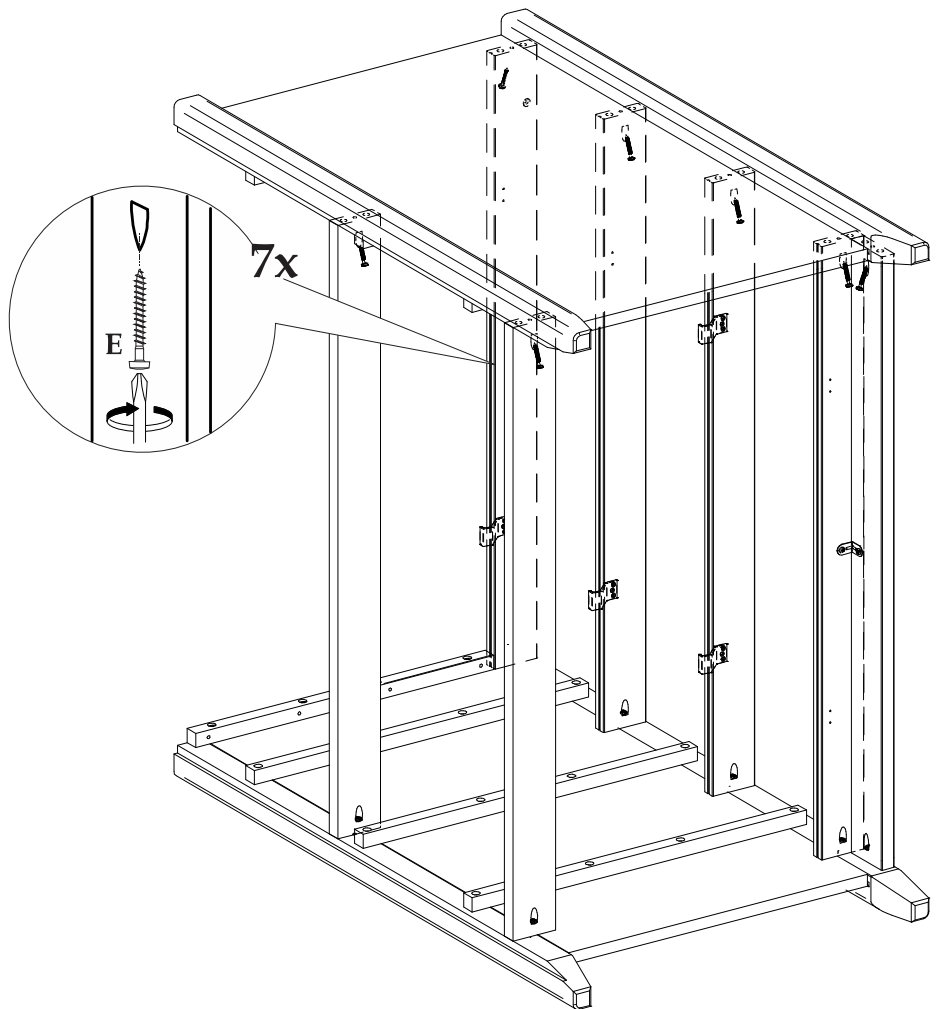
3



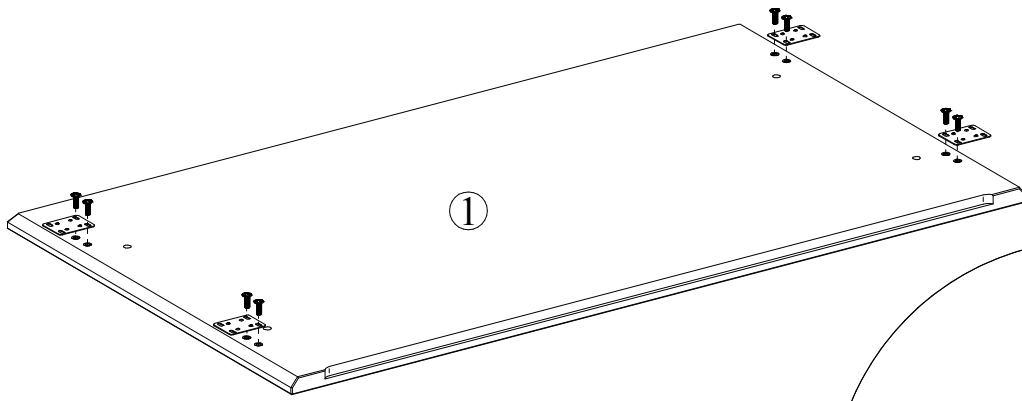
4



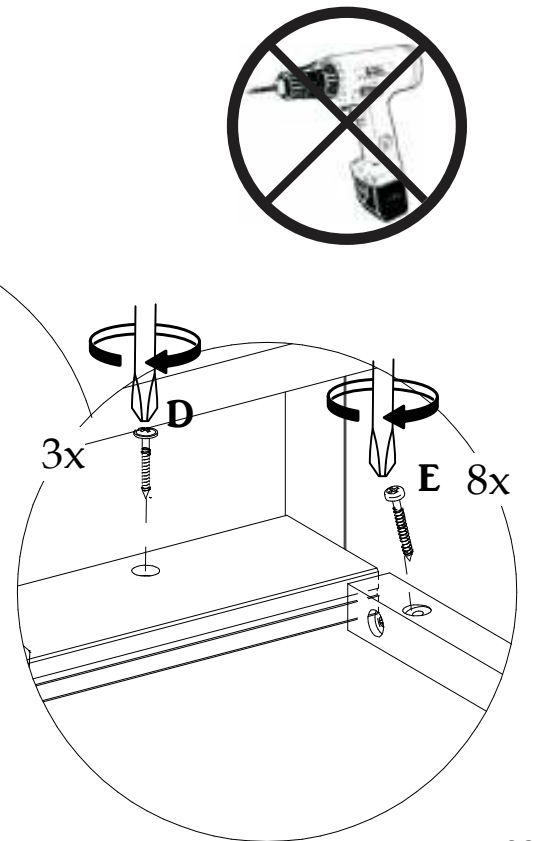
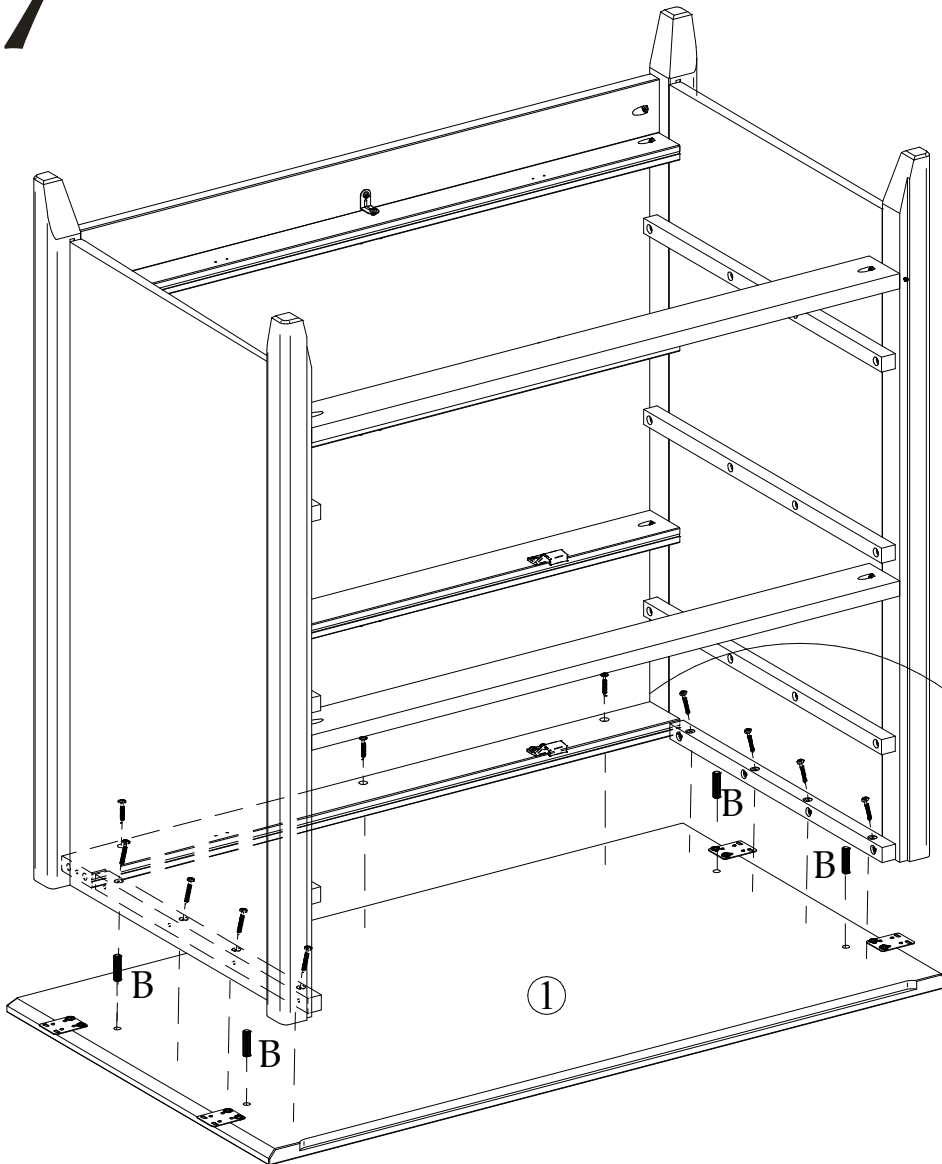
5



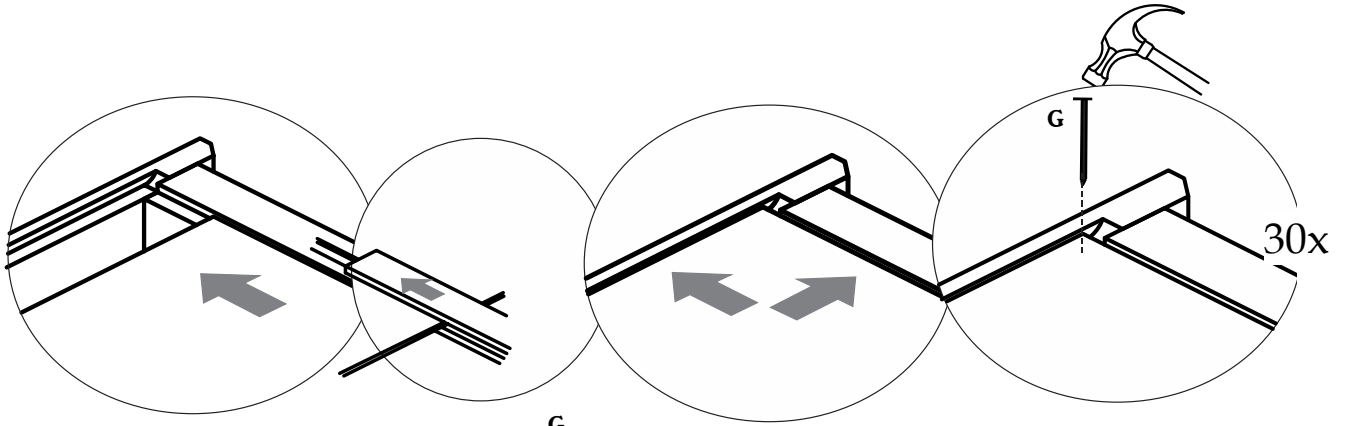
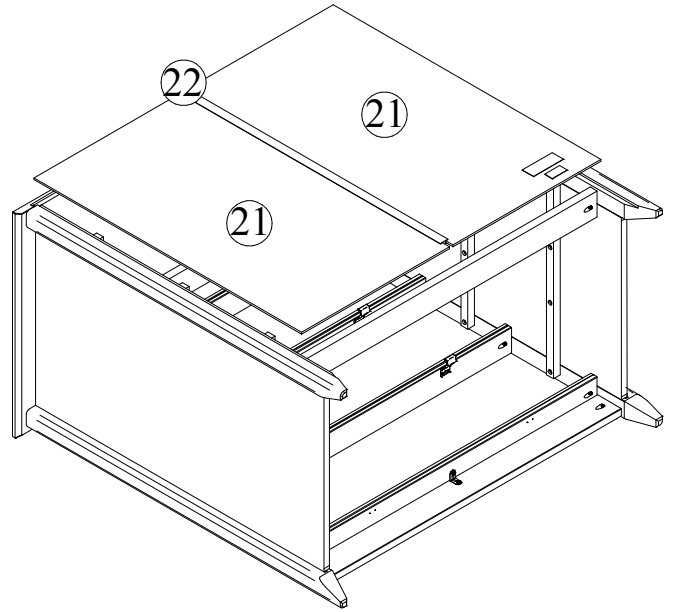
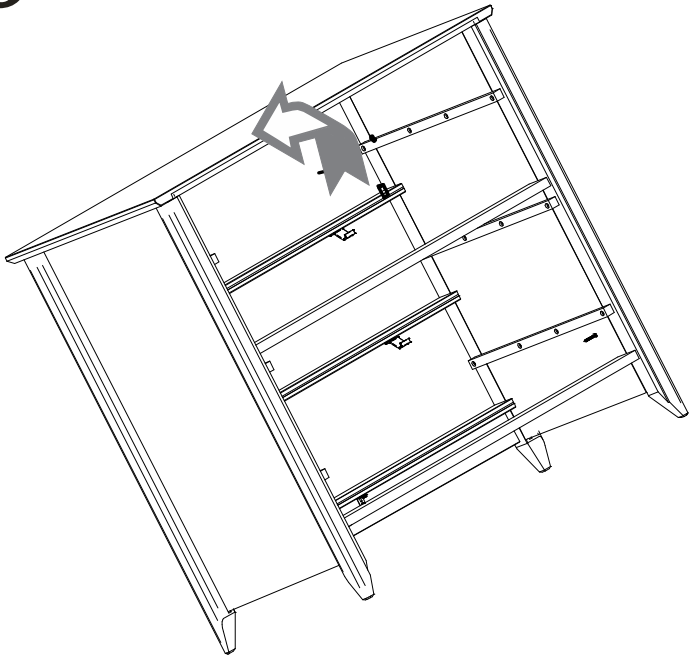
6



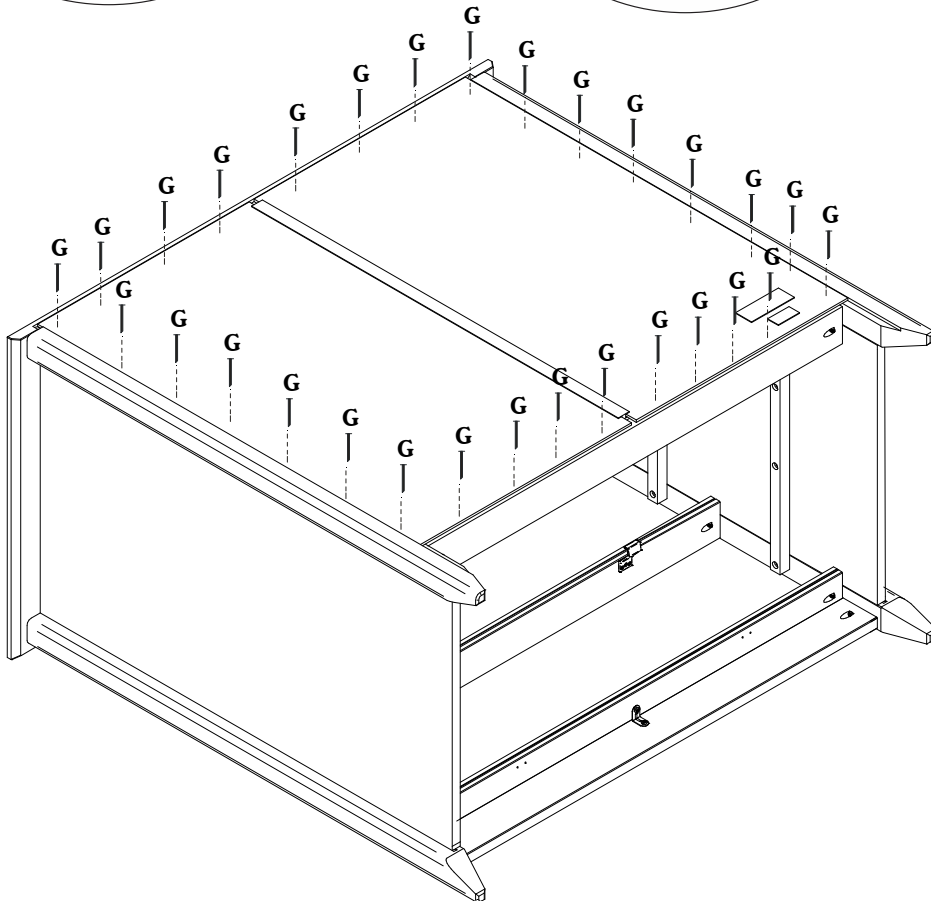
7

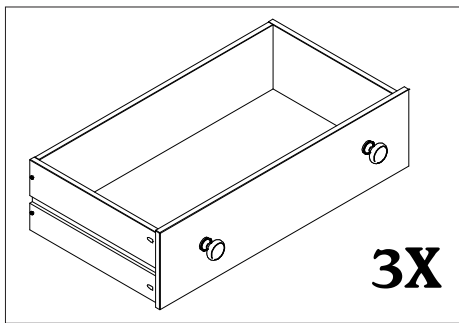


8

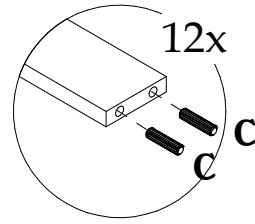


9

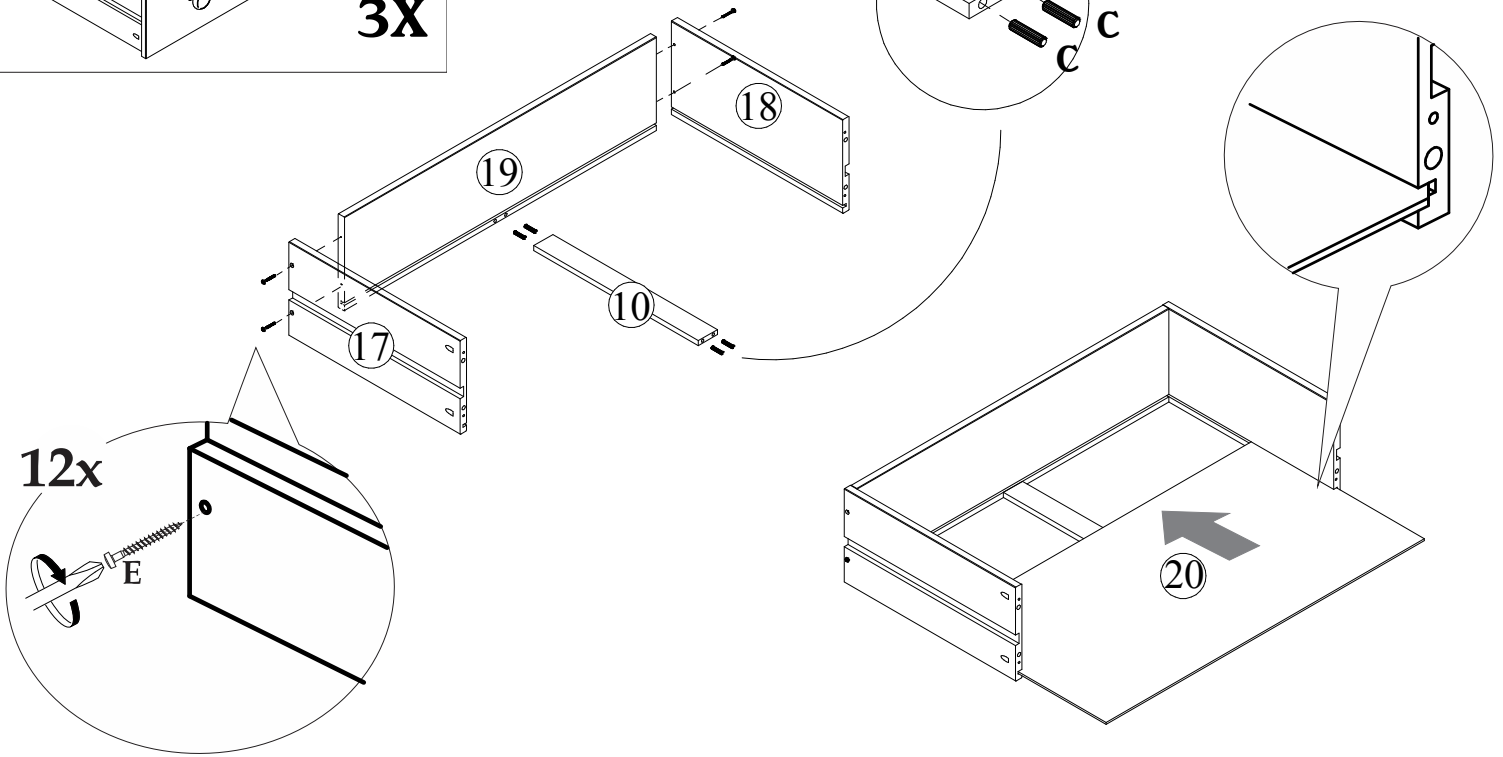




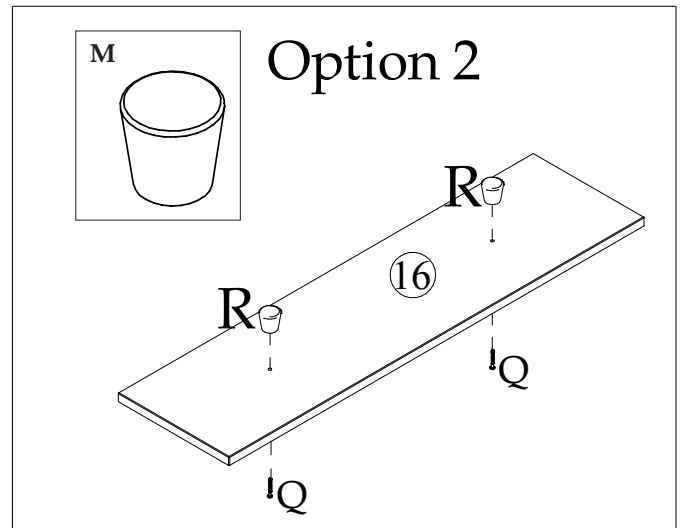
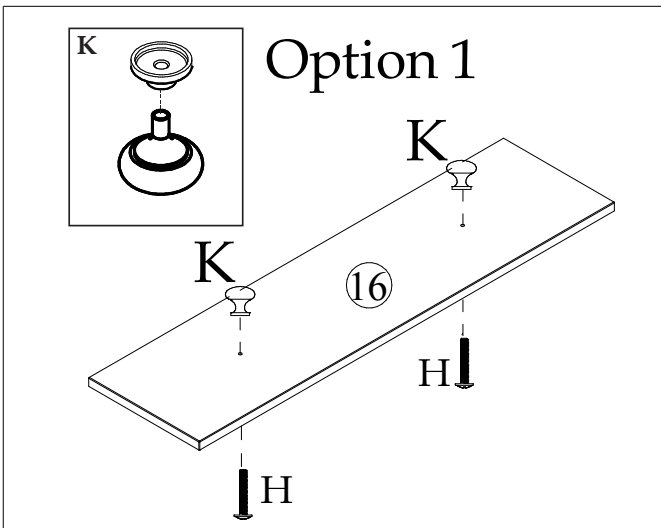
10



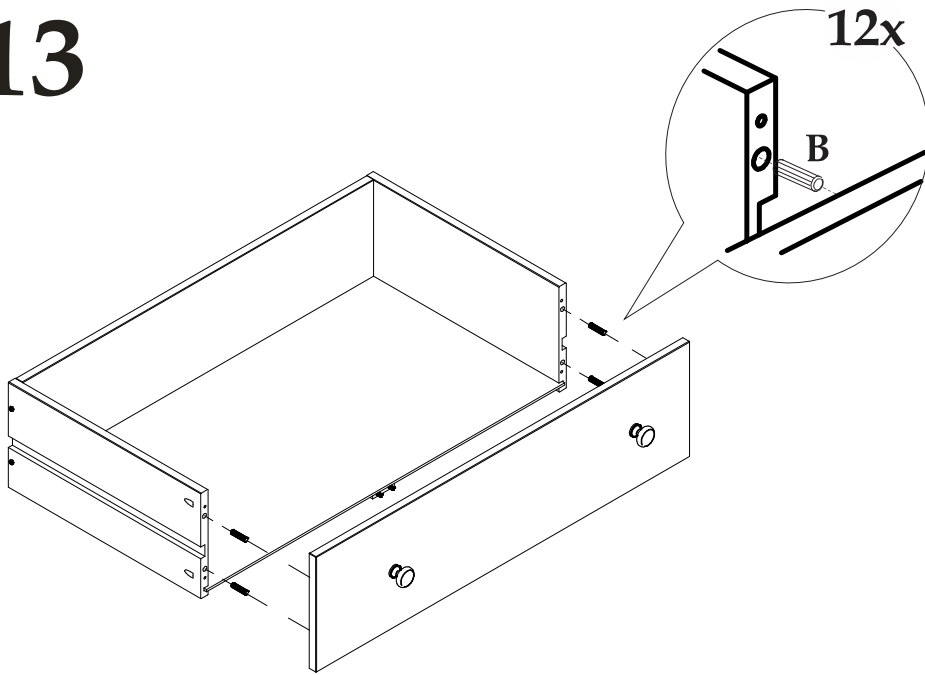
11



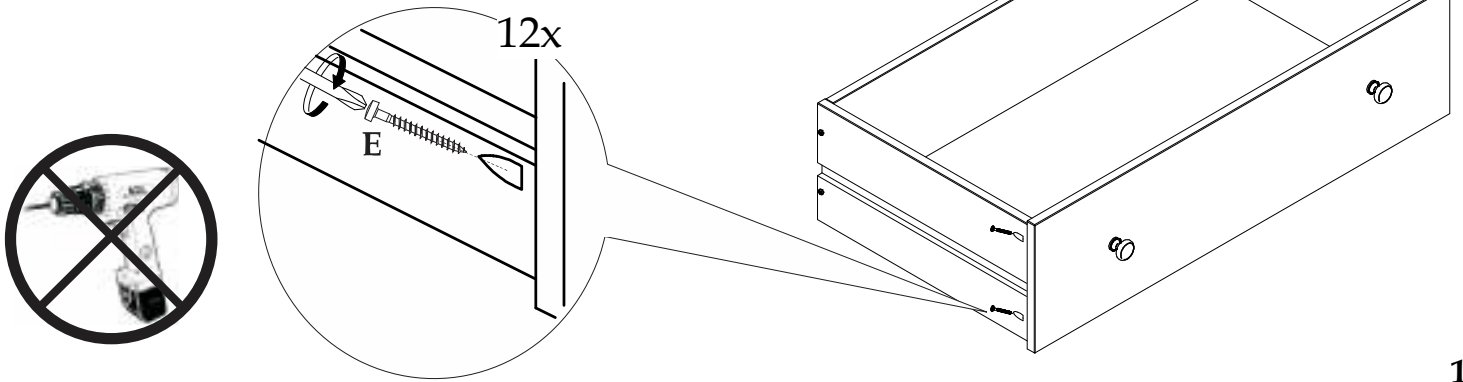
12



13



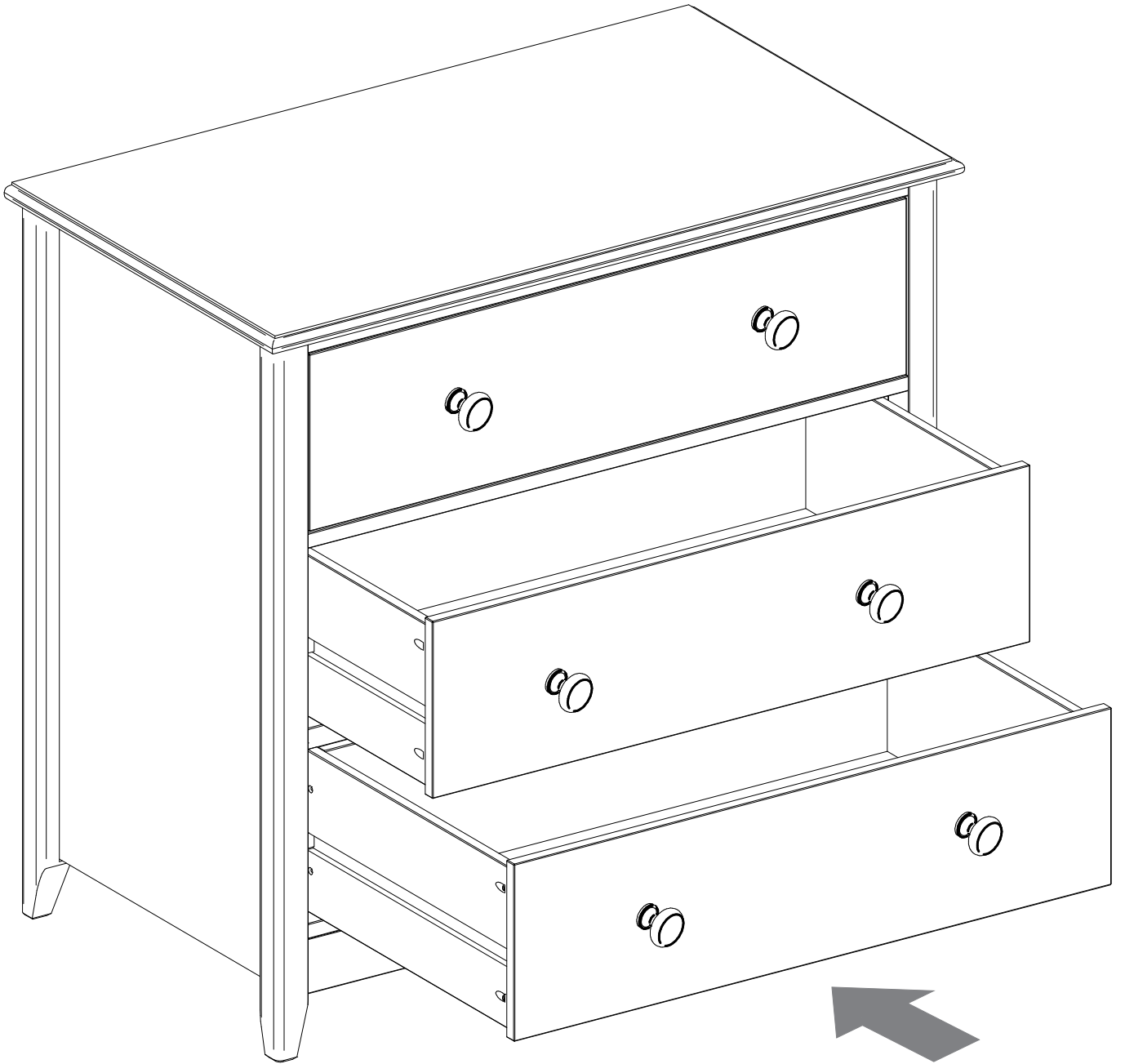
14



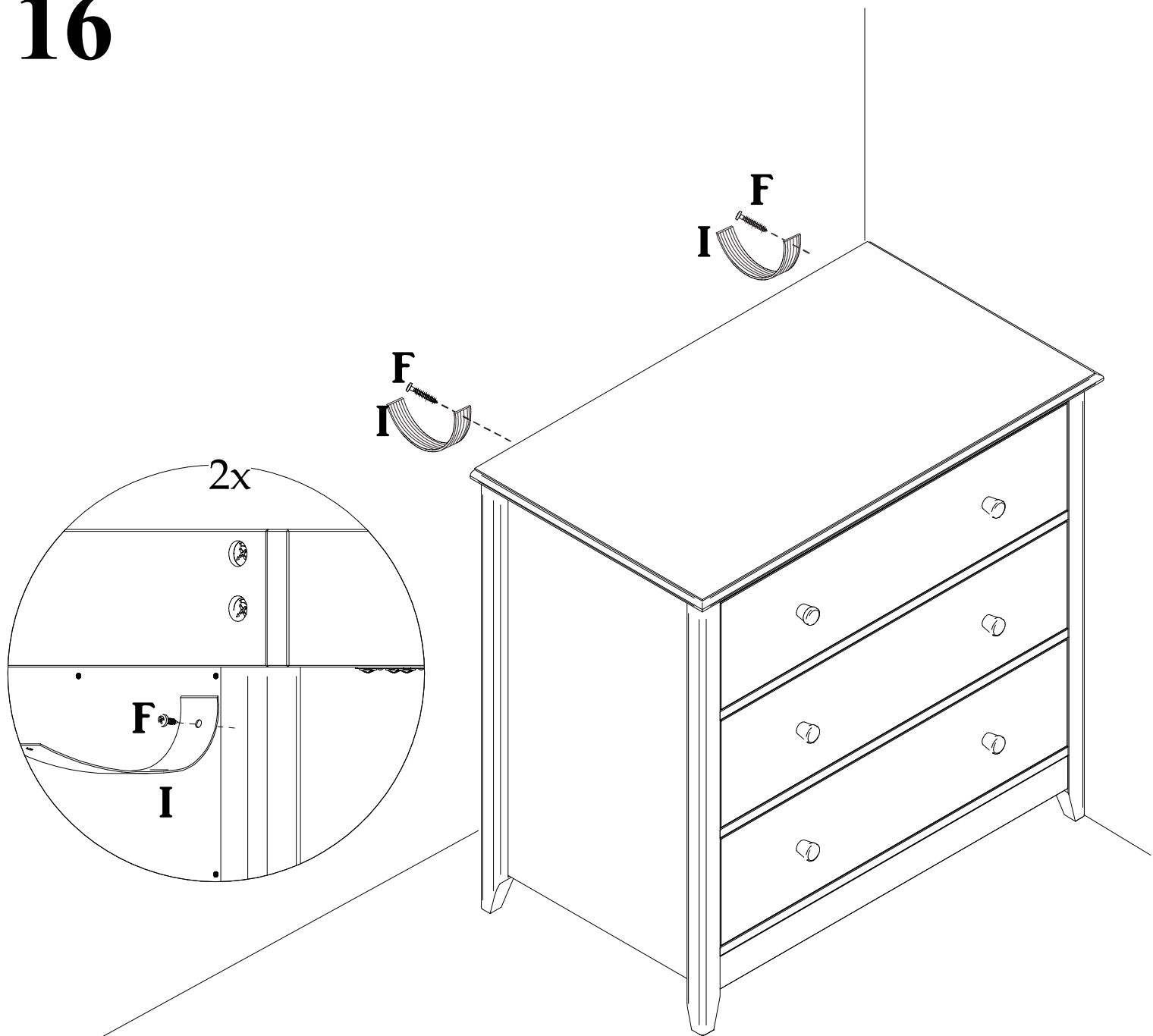
10

11

15



16



ADDITIONAL SAFETY INFORMATION

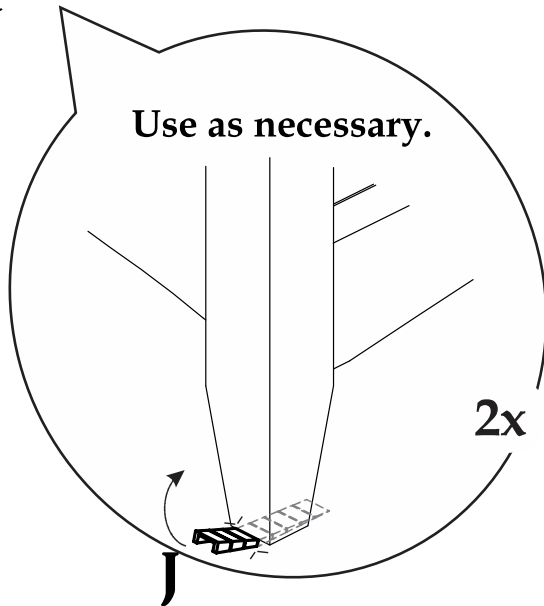
In the interest of safety, particularly where small children are concerned, we advise securing your furniture to the wall to prevent the product from tipping forwards when loaded.

The screw included in this fitting pack is only intended for fixing the safety strap to the piece of furniture.

Use fixing devices suitable for the walls in your home, (NOT INCLUDED).

If you are unsure what type of fixings to use, please seek further advice from your local DIY store.

17



General Care

Wipe clean with a slightly damp soft cloth.

Avoid the use of all household cleaners and abrasives.

When moving your furniture, carefully lift into place.

Never drag or push the pieces across the floor as this will cause damage to the joints and could result in failure to the product that will invalidate the warranty.

Recommendations

Periodical re-tightening of fixings.

Warning

This unit is heavy. Please use an assistant when lifting.

Notes

We've tried to make this piece of furniture as easy to assemble as possible.

In the unlikely event that you have problems putting it together or have damaged or missing pieces, please contact our customer services on 0333 006 3096