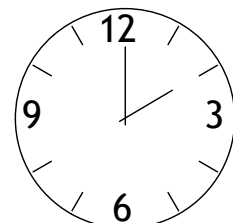
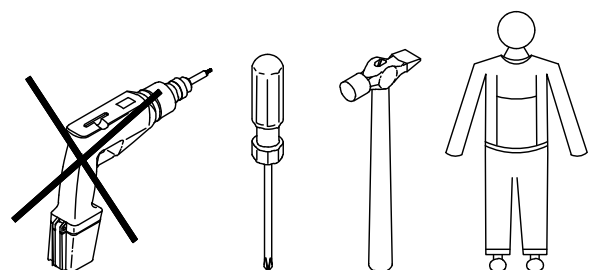
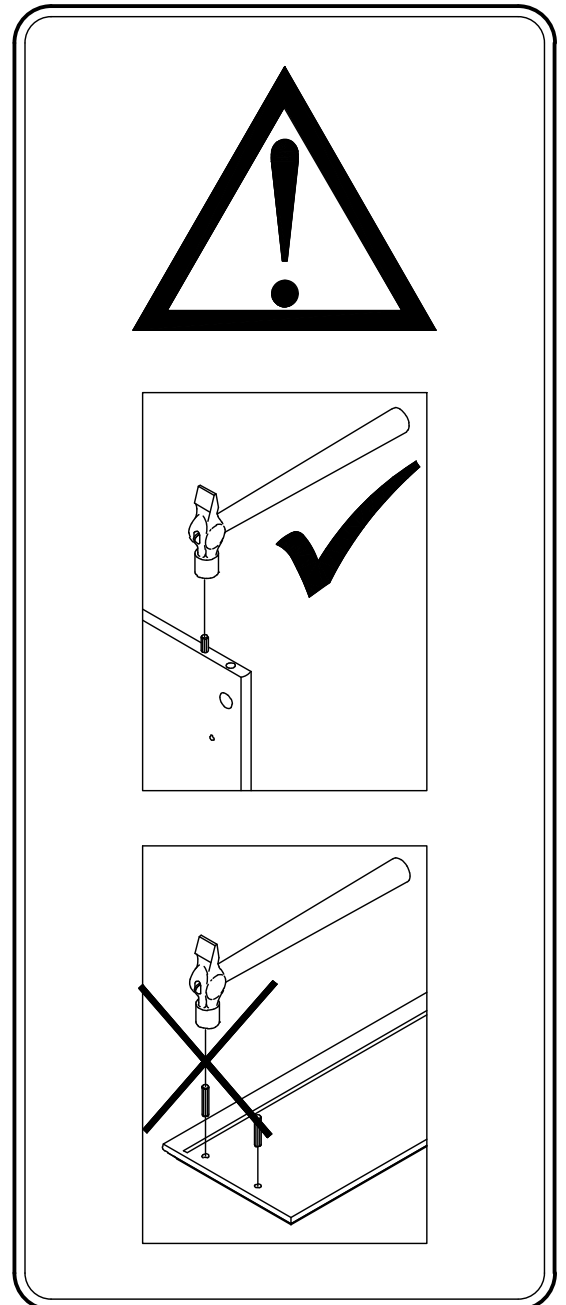
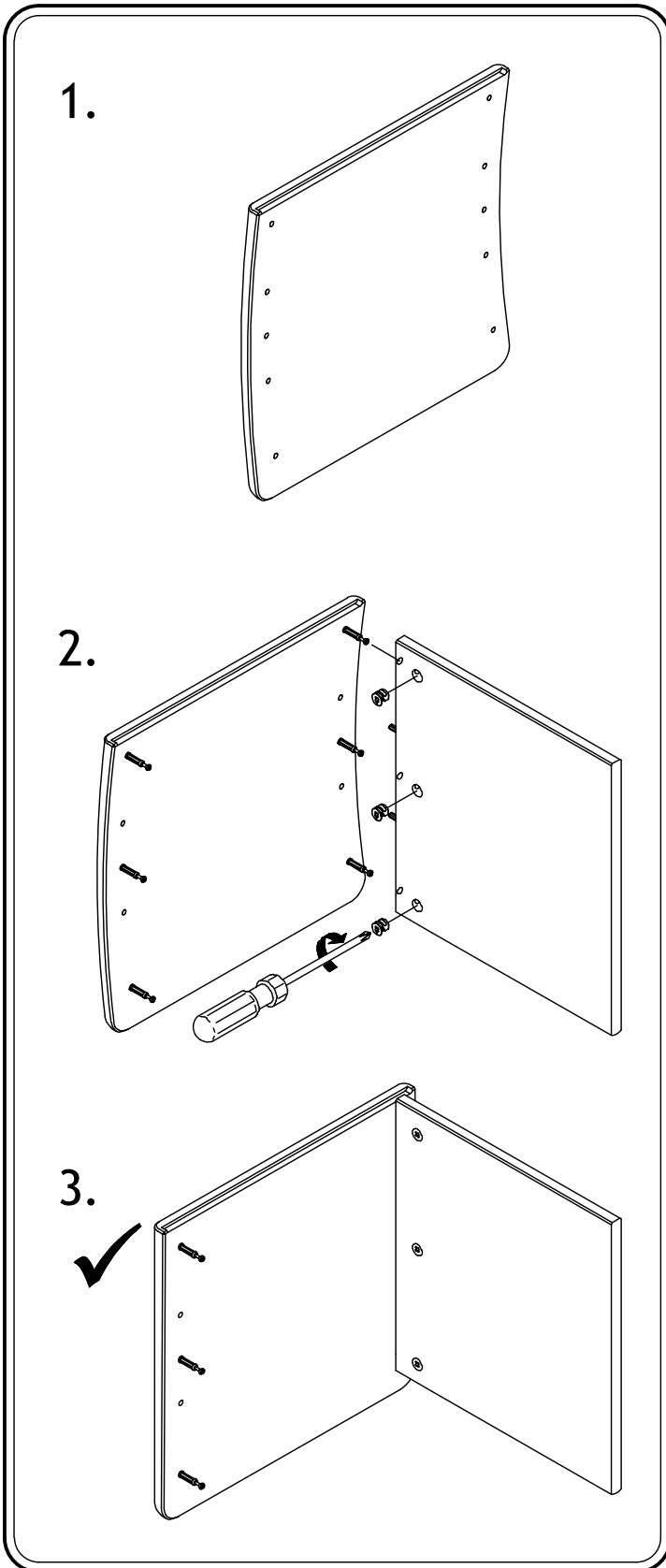
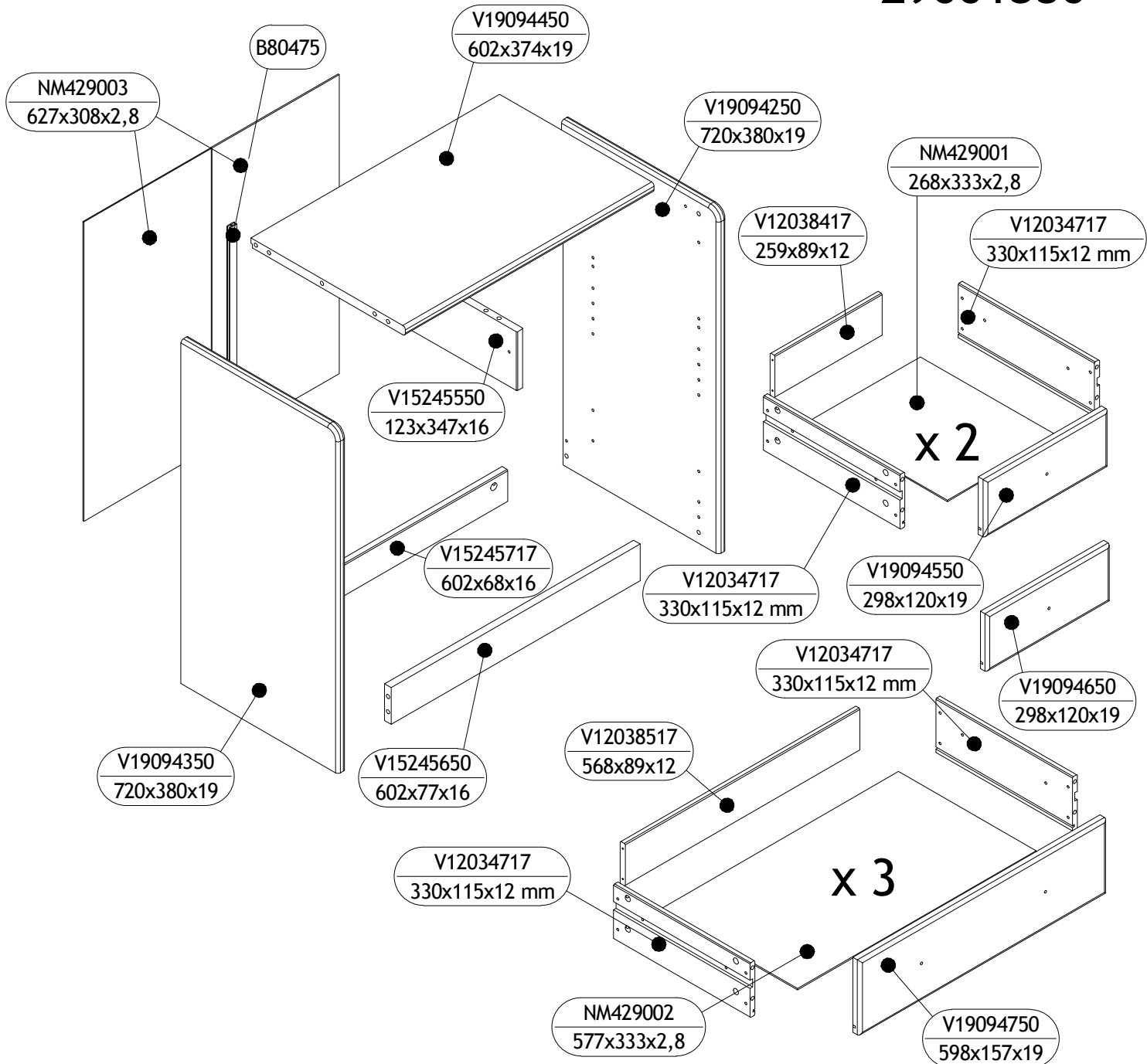


29001350

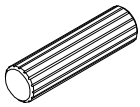




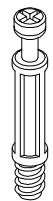
29001350



BA10390
ø8x30
13 x A



BA10602
ø5/8X34
30 x B



BA10590
ø15x9,5
10 x C



BA10597
ø12x10,5
20 x D



BA10270
ø5,8X8,0 mm
20 x E



BA10045
3,5x35
20 x F



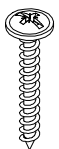
BA10191
M4x 9 mm
10 x G



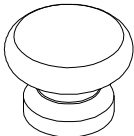
BA10025
ø1,2x20
50 x H



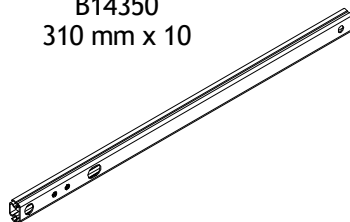
BA10170
4,0x35
8 x J



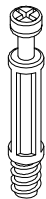
BA10441
ø34x28
8 x K



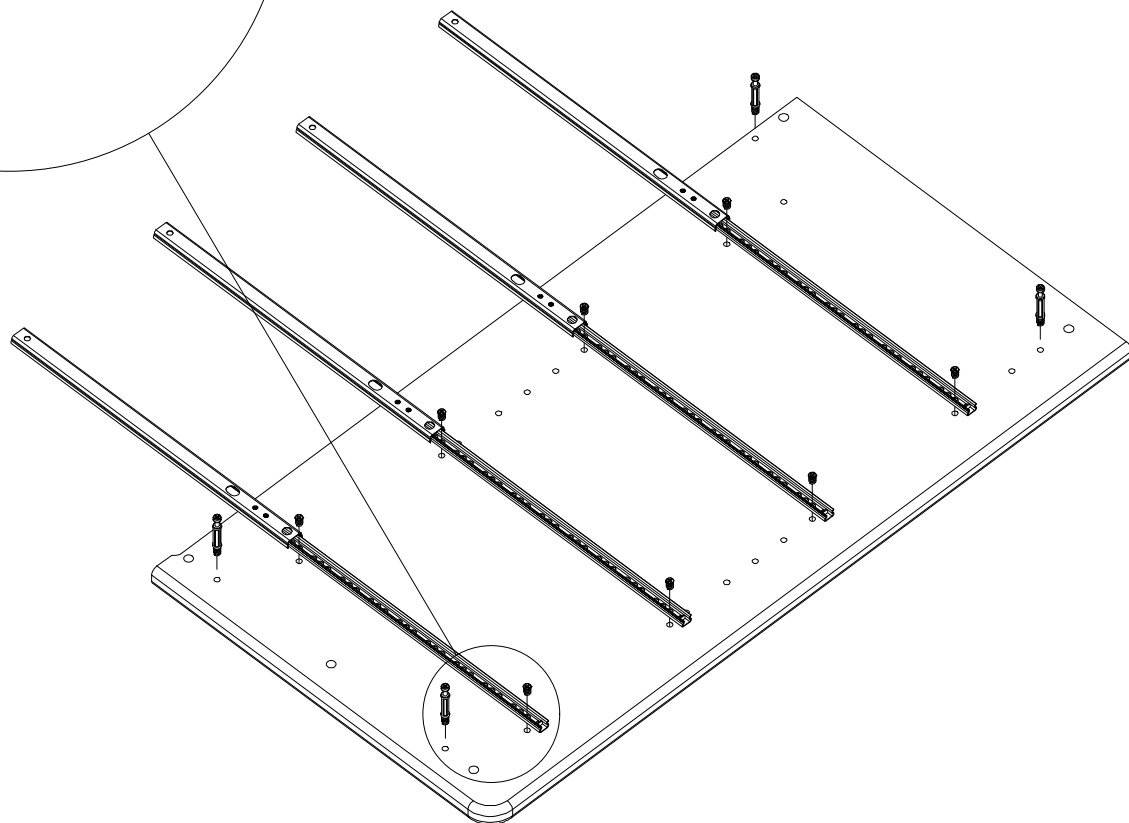
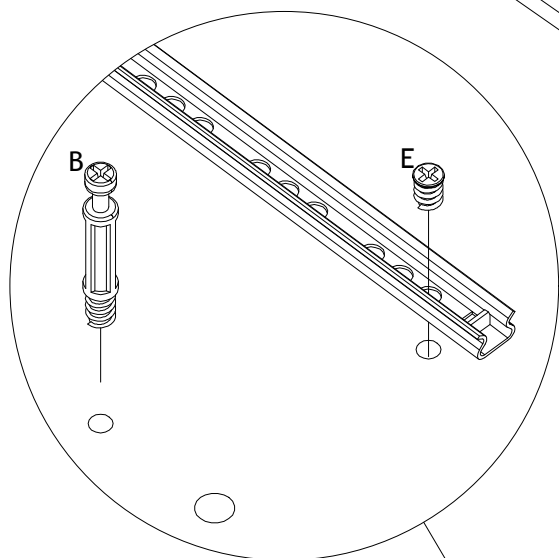
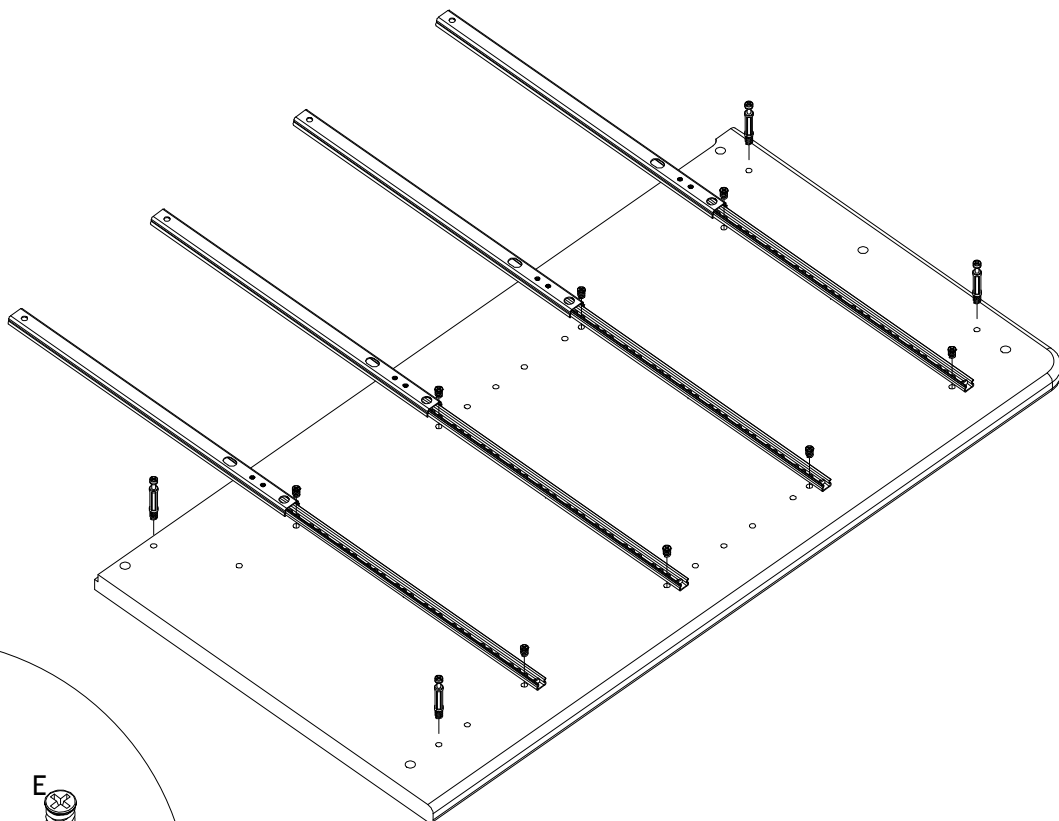
B14350
310 mm x 10



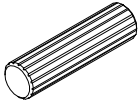
BA10602
ø5/8X34
8 x B



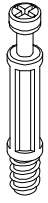
BA10270
ø5,8X8,0 mm
16 x E



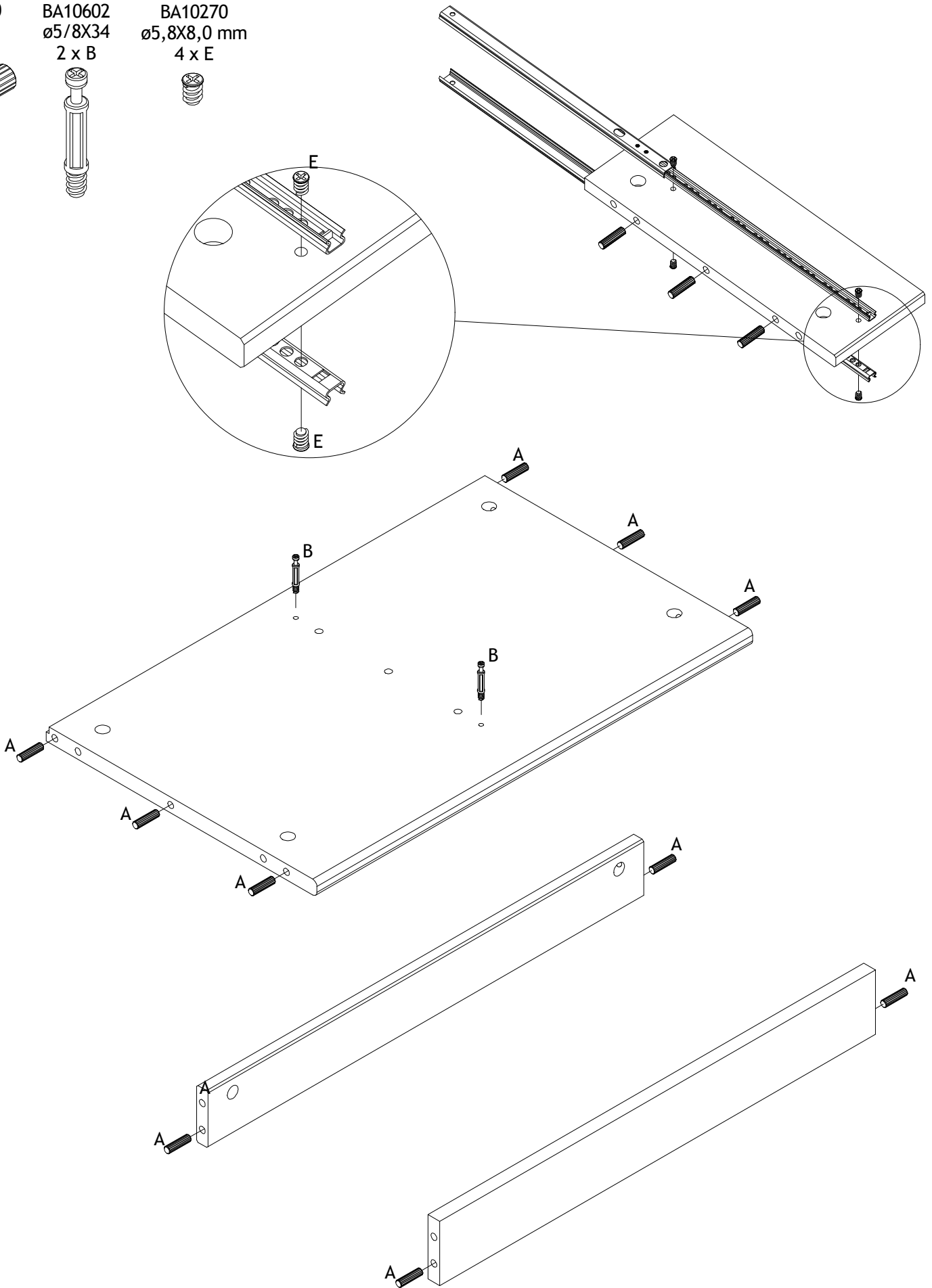
BA10390
 ø8x30
 13 x A



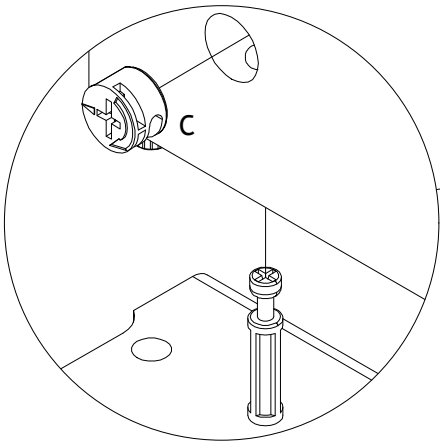
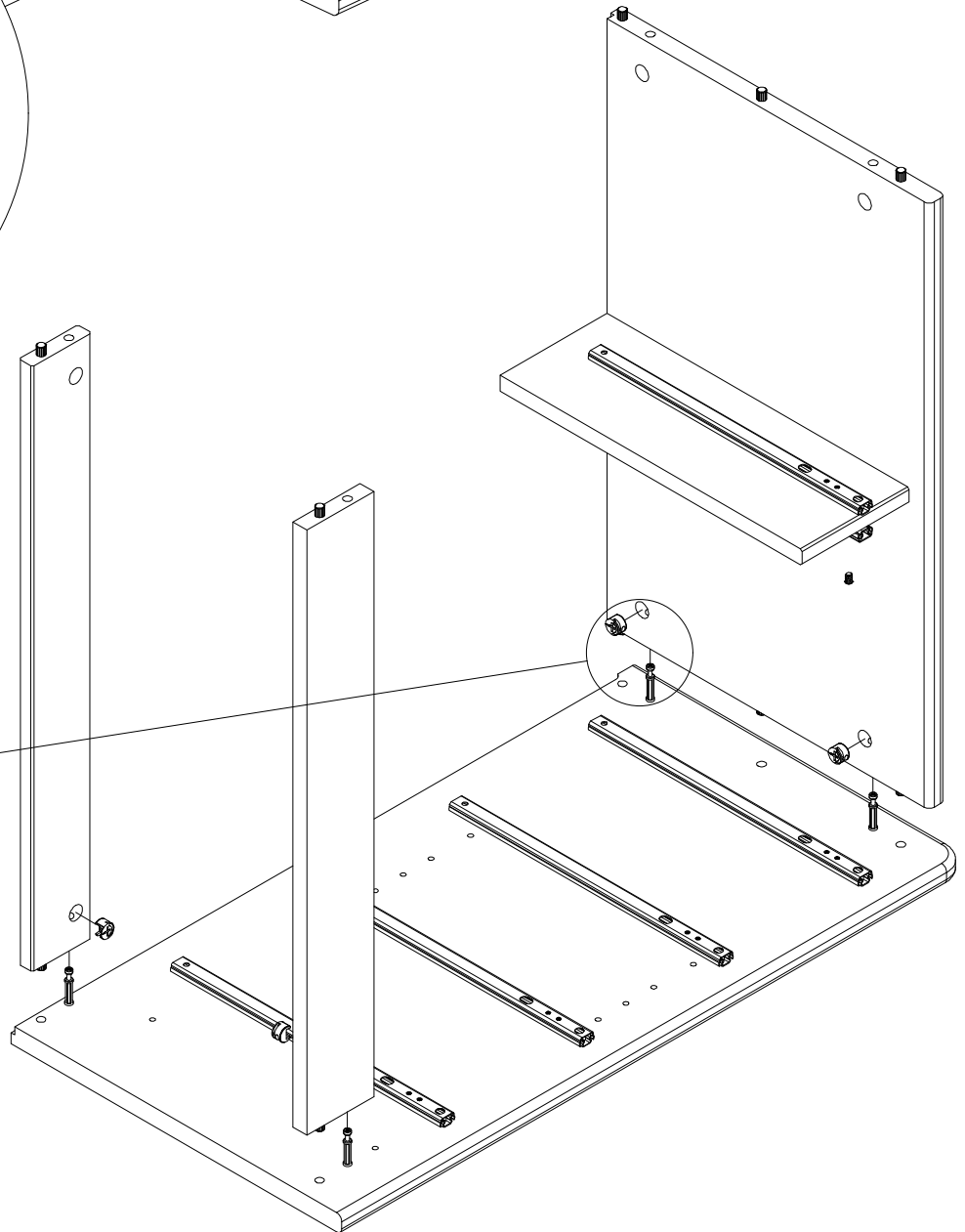
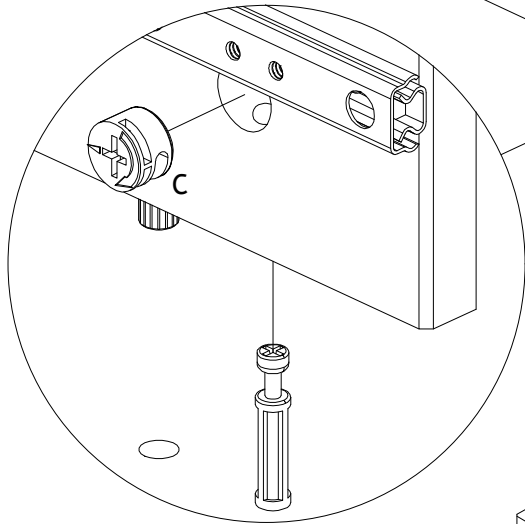
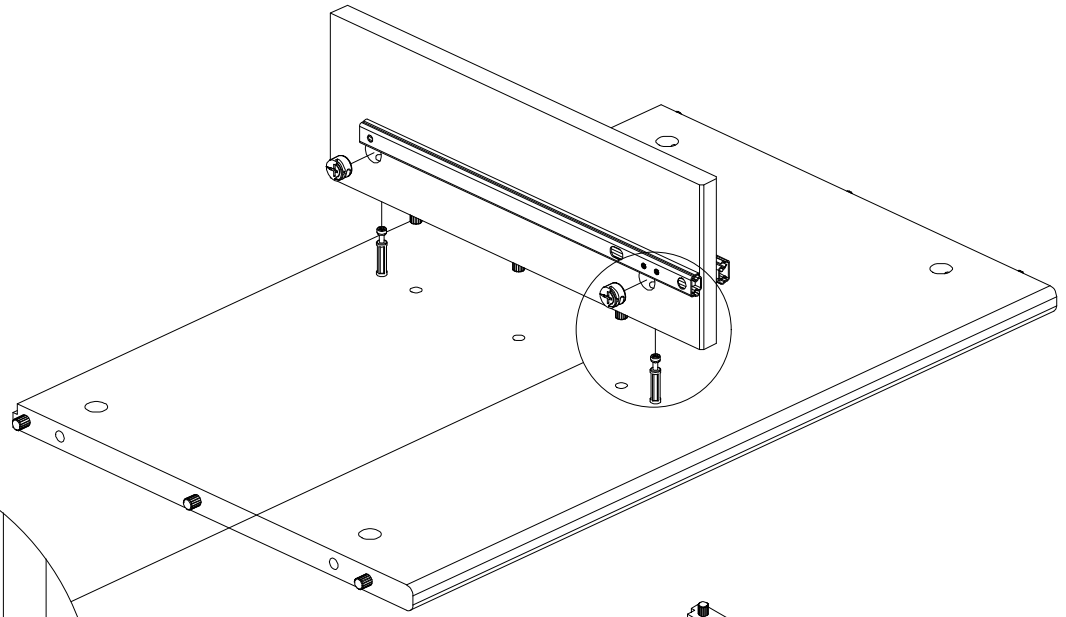
BA10602
 ø5/8X34
 2 x B



BA10270
 ø5,8X8,0 mm
 4 x E



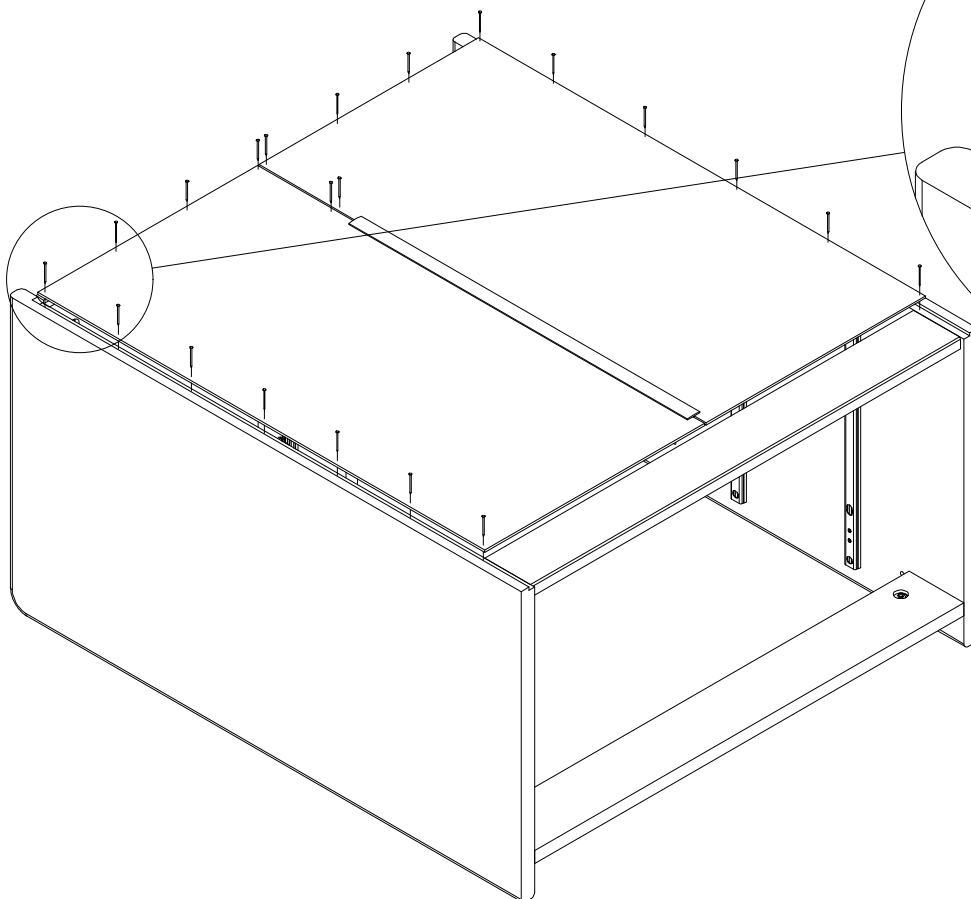
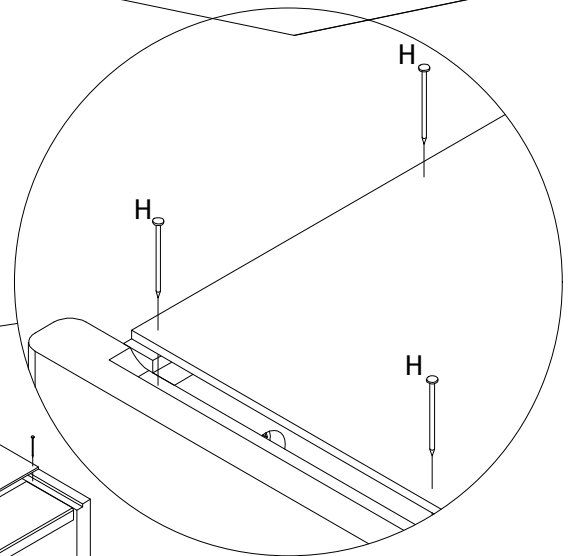
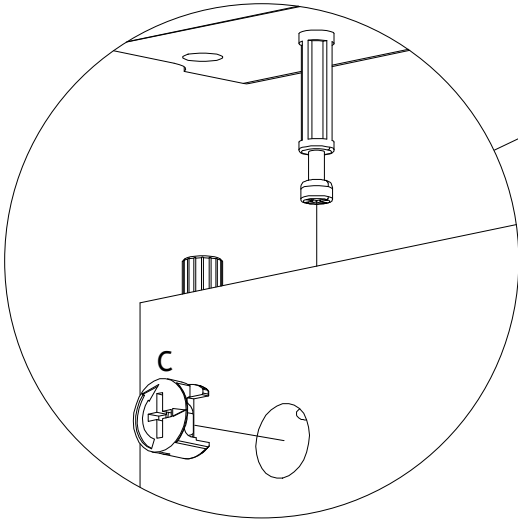
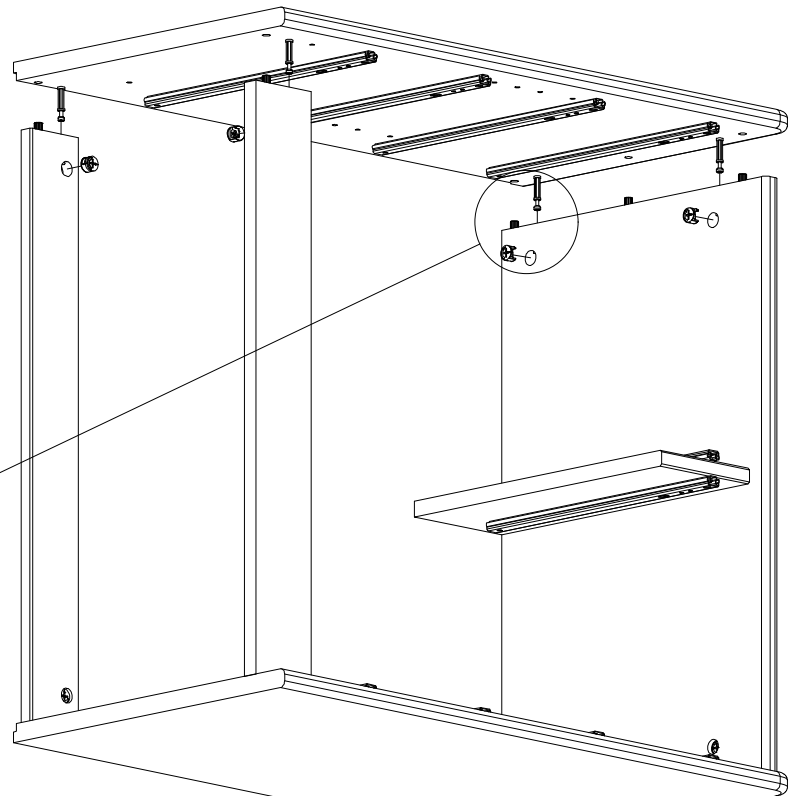
BA10590
ø15x9,5
6 x C



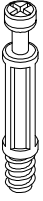
BA10590
ø15x9,5
4 x C



BA10025
ø1,2x20
25 x H



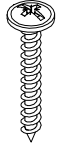
BA10602
ø5/8X34
20 x B



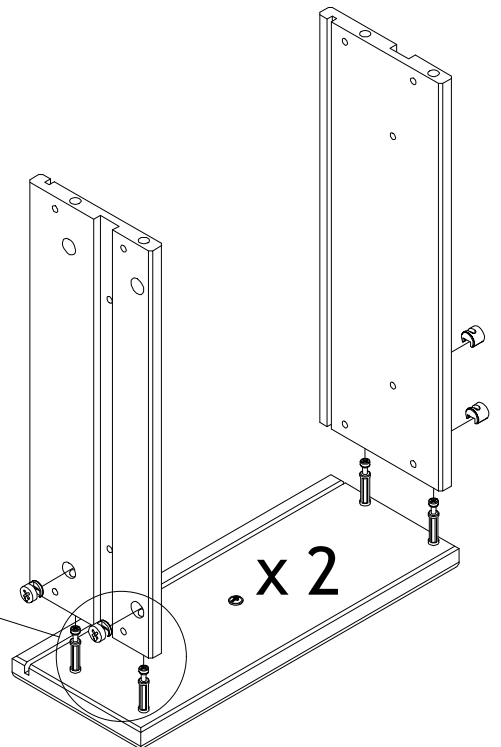
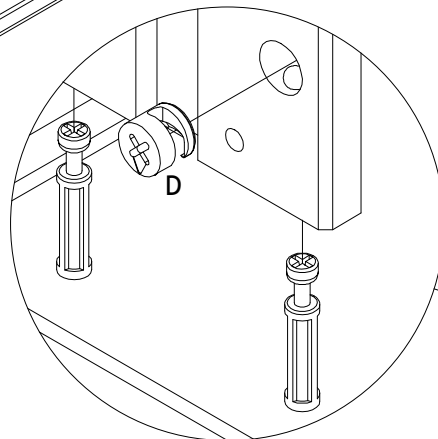
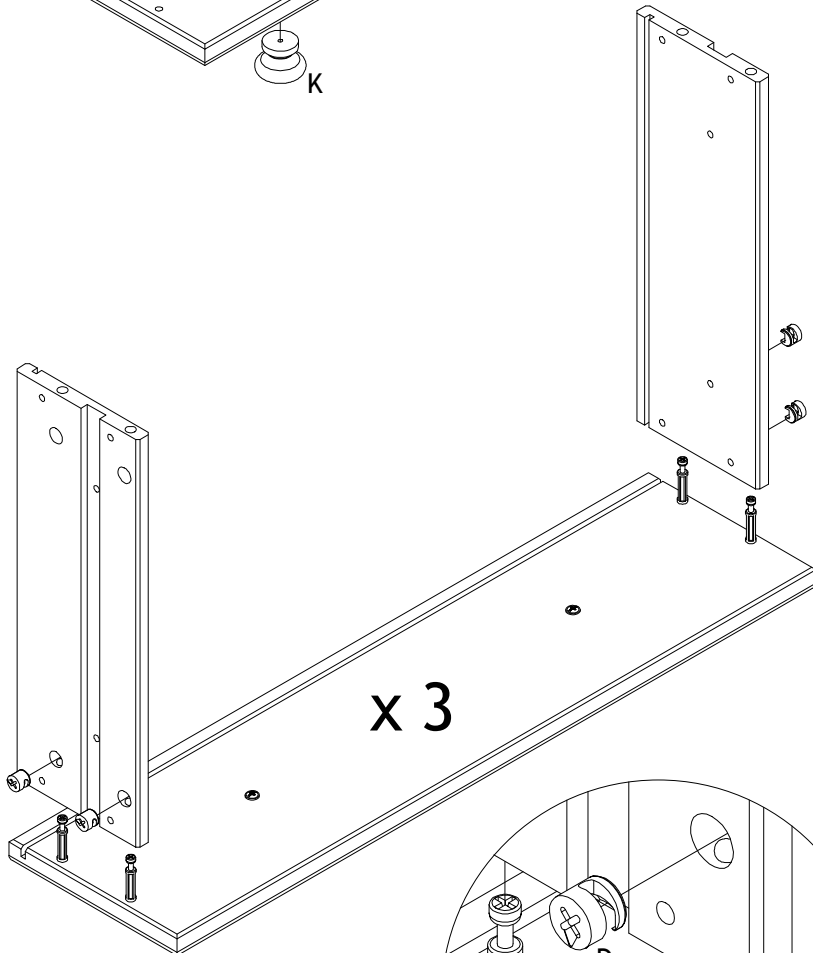
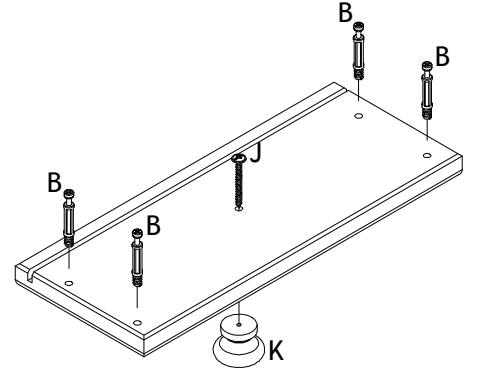
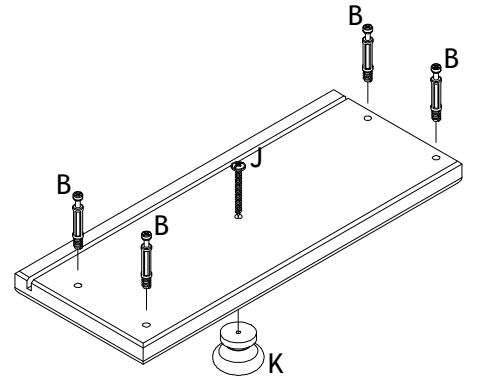
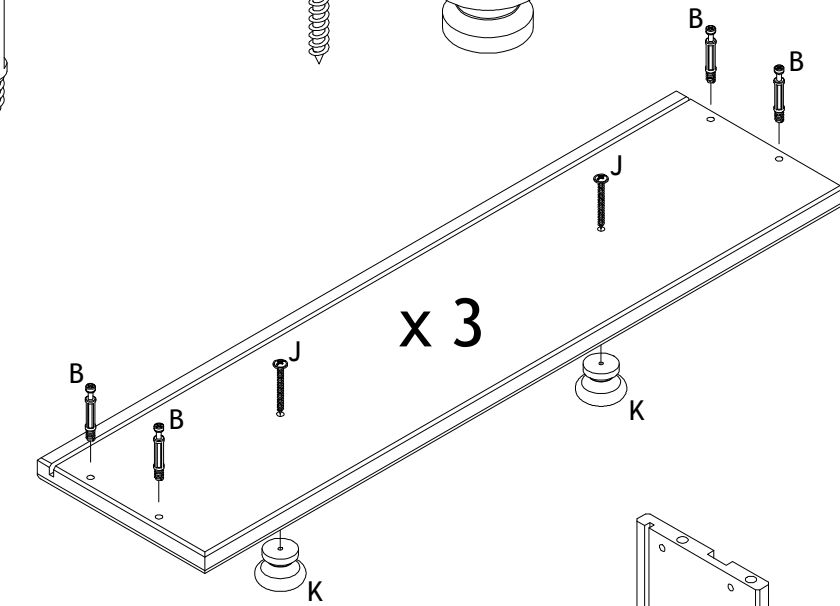
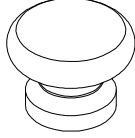
BA10597
ø12x10,5
20 x D



BA10170
4,0x35
8 x J



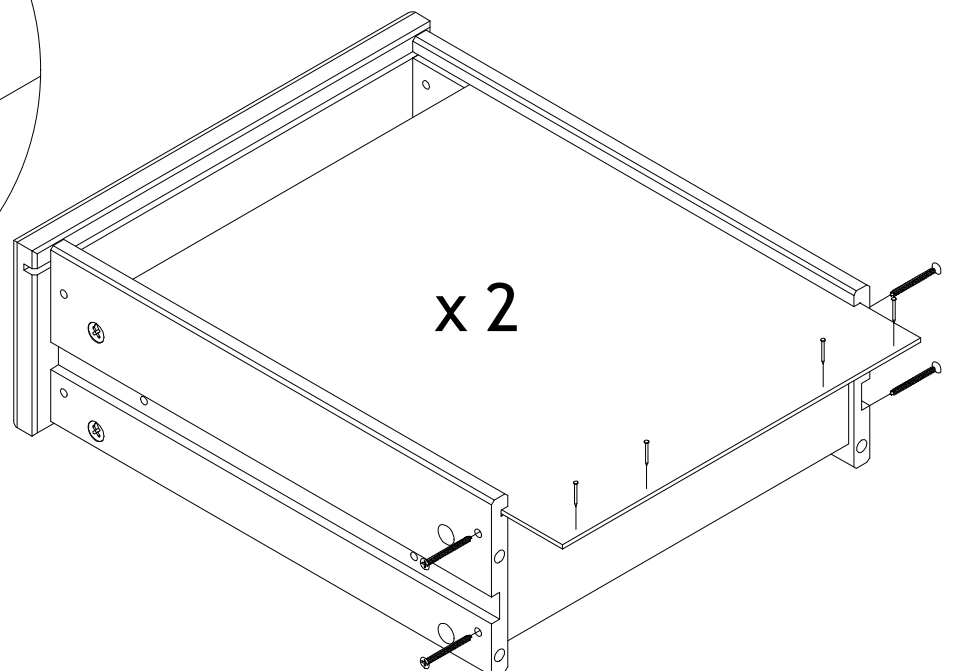
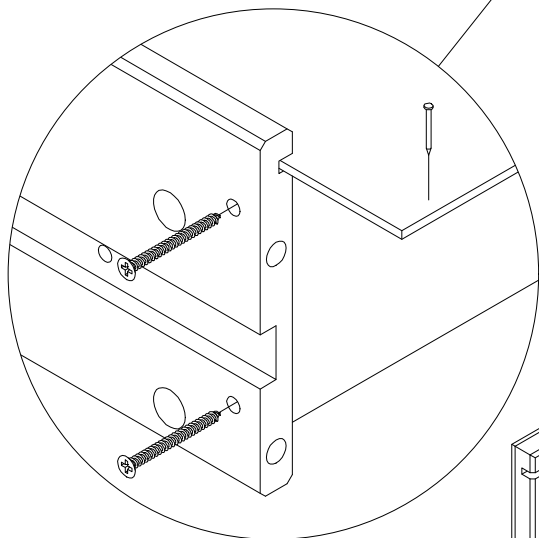
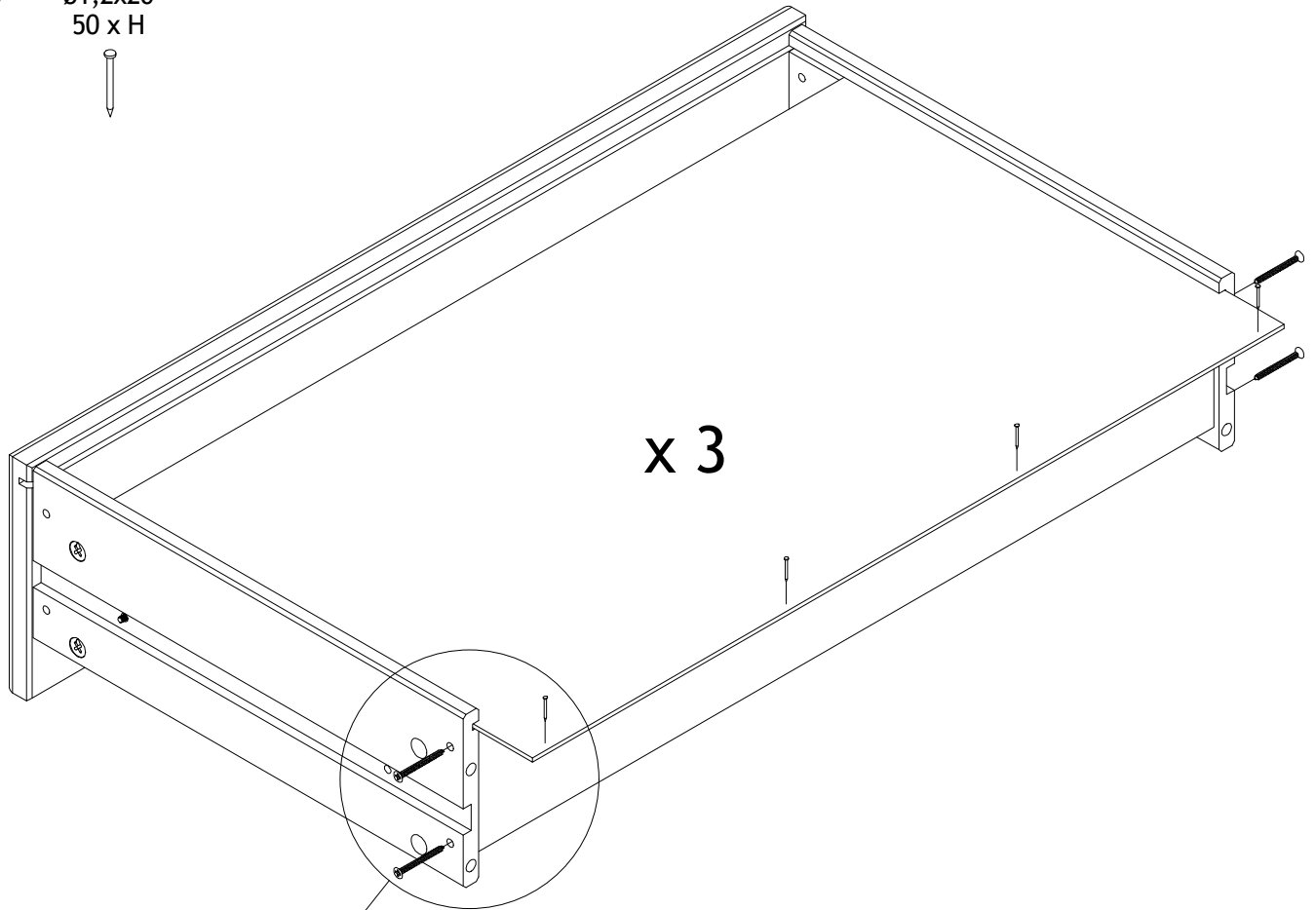
BA10441
ø34x28
8 x K



BA10045
3,5x35
20 x F



BA10025
ø1,2x20
50 x H



BA10191
M4x 9 mm
10 x G

