

Stompa®

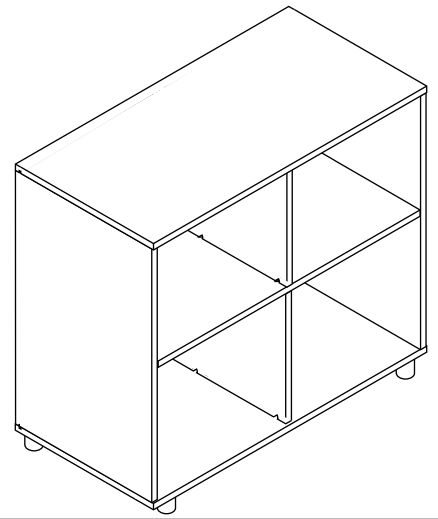
www.stompa.com

Art.nr. 183

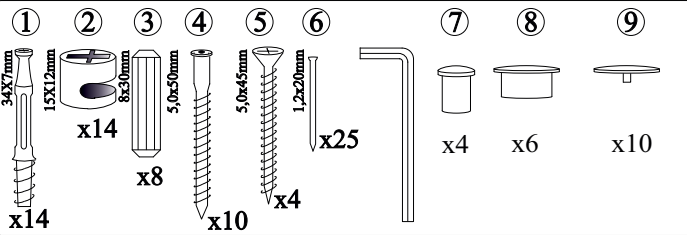
(N) Reol

(GB) Storage unit

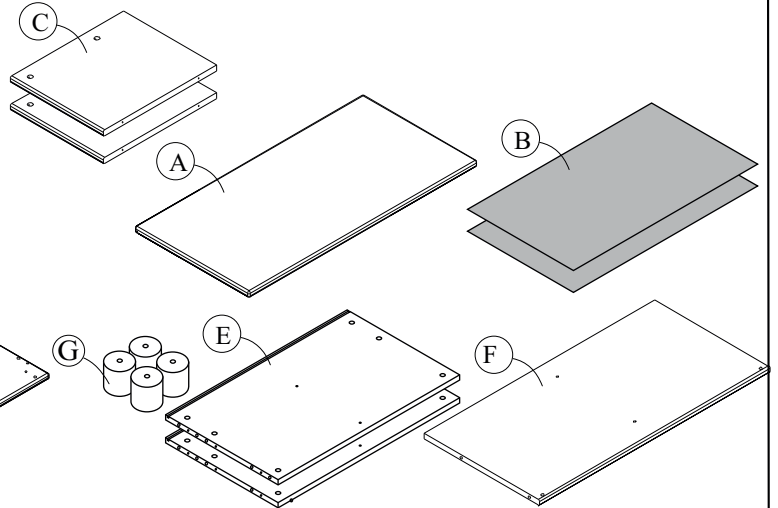
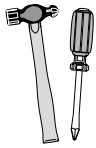
(D) Regal mit Kreuzböden



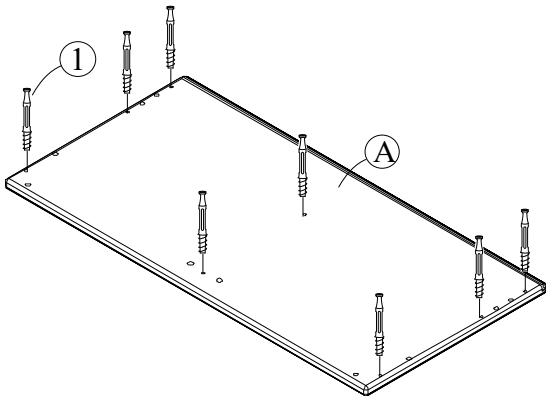
ver. 1140



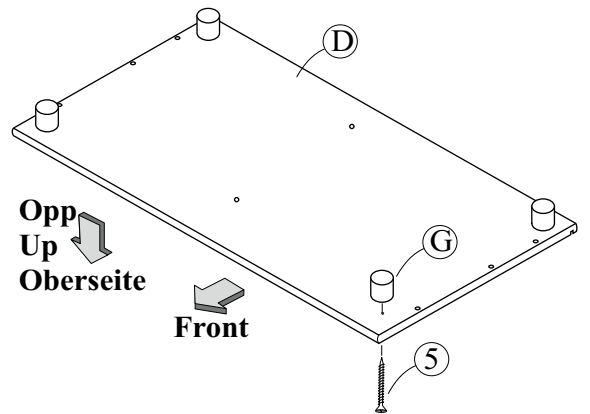
Du trenger også et stjerne-skrudjern og en hammer.
You also need a crosshead screwdriver and a hammer.
Zusätzlich brauchen Sie einen Kreuzschraubenzieher und einen Hammer.



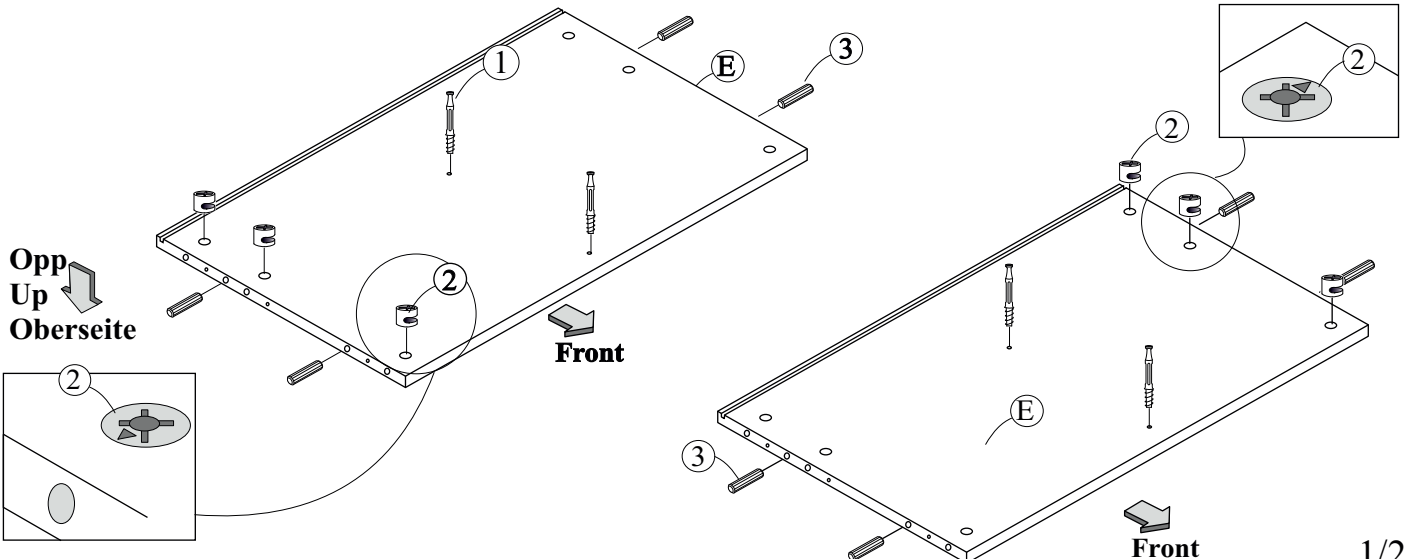
1

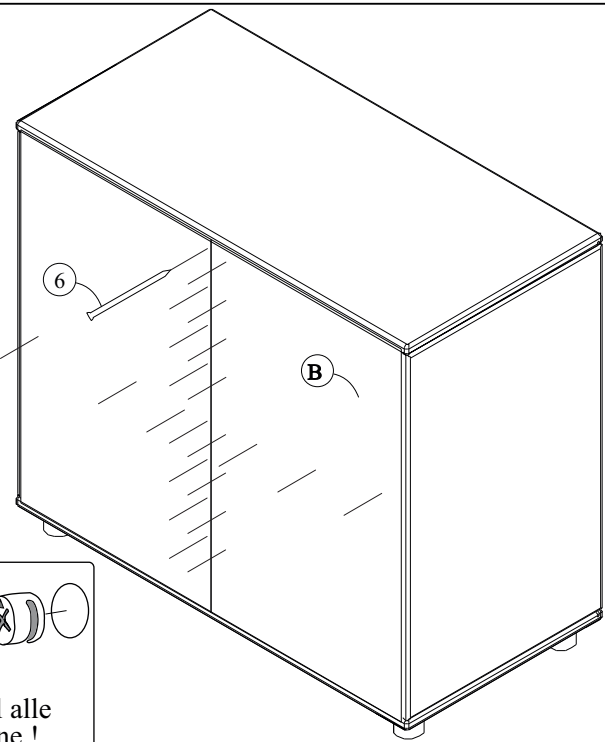
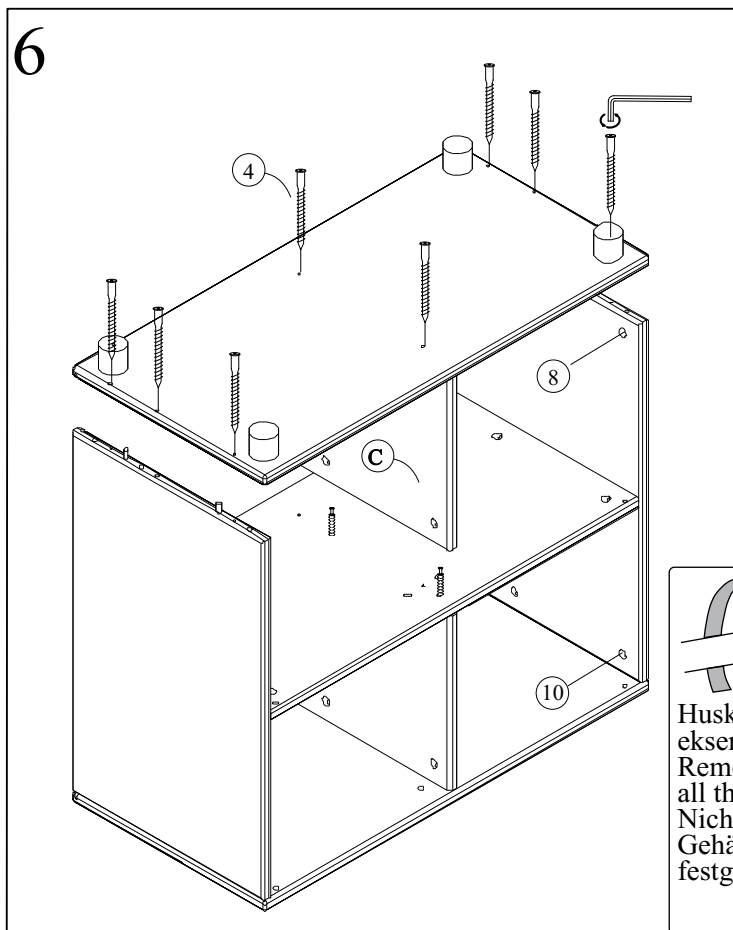
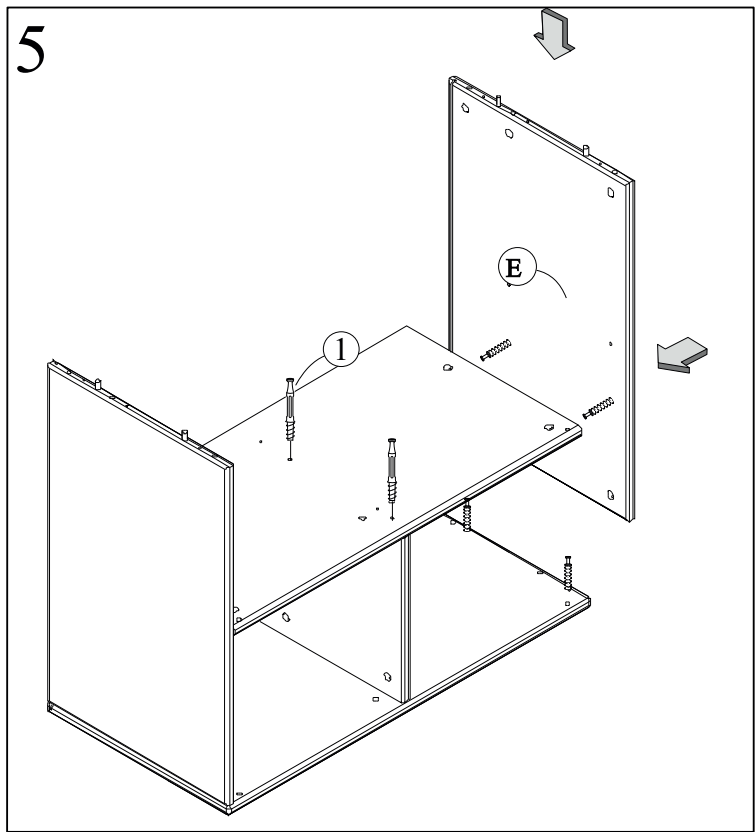
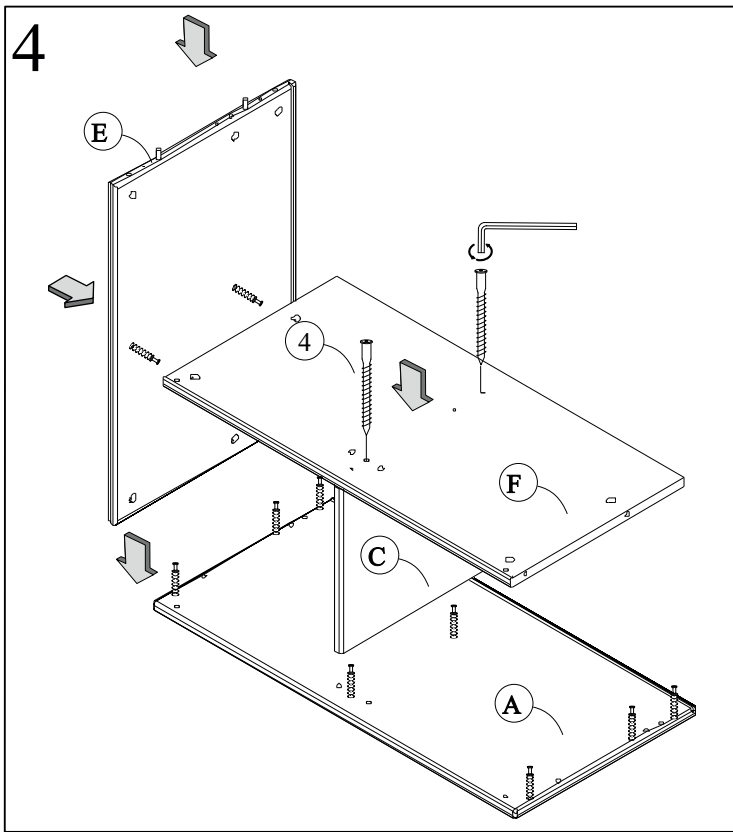


2



3





Husk å trekke til alle eksentermutterene !
Remember to tighten all the eccentric houses!
Nicht vergessen: Alle Gehäuse müssen festgezogen werden!

United Kingdom:

If anything should fail to give satisfaction, please contact your STOMPA stockist with details of any problems with the product. Please quote Art number & serial number on any correspondence.

Distributor:
Scandinavian House
Unit 6, Acorn Park Industrial Estate
Charlestown, BD17 7SW
Tel: 01274 809402
E-mail: sales@stompa.com
www.stompa.com